



UHX10-59W-P4M

3.0 m | 10 ft Ultra High Performance Parabolic Shielded Antenna, dual-polarized, 5.925–7.125 GHz and 5.725 - 5.85 GHz, CPR137G, gray antenna, enhanced white radome without flash, standard pack—two-piece reflector

Product Classification

Product Type	Microwave antenna
--------------	-------------------

General Specifications

Antenna Type	UHX - Ultra High Performance Parabolic Shielded Antenna, dual-polarized
Diameter, nominal	3.0 m 10 ft
Packing	Standard pack
Radome Color	White
Radome Material	Enhanced
Reflector Construction	Two-piece reflector
Antenna Input	CPR137G
Antenna Color	Gray
Antenna Type	UHX - Ultra High Performance Parabolic Shielded Antenna, dual-polarized
Diameter, nominal	3.0 m 10 ft
Flash Included	No
Polarization	Dual

Electrical Specifications

Operating Frequency Band	5.925 – 7.125 GHz
Beamwidth, Horizontal	1.2 °
Beamwidth, Vertical	1.2 °
Cross Polarization Discrimination (XPD)	36 dB
Electrical Compliance	ETSI Class 2 US FCC Part 101A US FCC Part 74A
Front-to-Back Ratio	71 dB
Gain, Low Band	42.5 dBi
Gain, Mid Band	43.2 dBi
Gain, Top Band	43.8 dBi
Operating Frequency Band	5.925 – 7.125 GHz
Radiation Pattern Envelope Reference (RPE)	1117B 1118B
Return Loss	23.1 dB
VSWR	1.15

Electrical Specifications (Band 2)

Operating Frequency Band	5.725 – 5.850 GHz
Return Loss	14.0 dB

UHX10-59W-P4M

VSWR 1.50

Mechanical Specifications

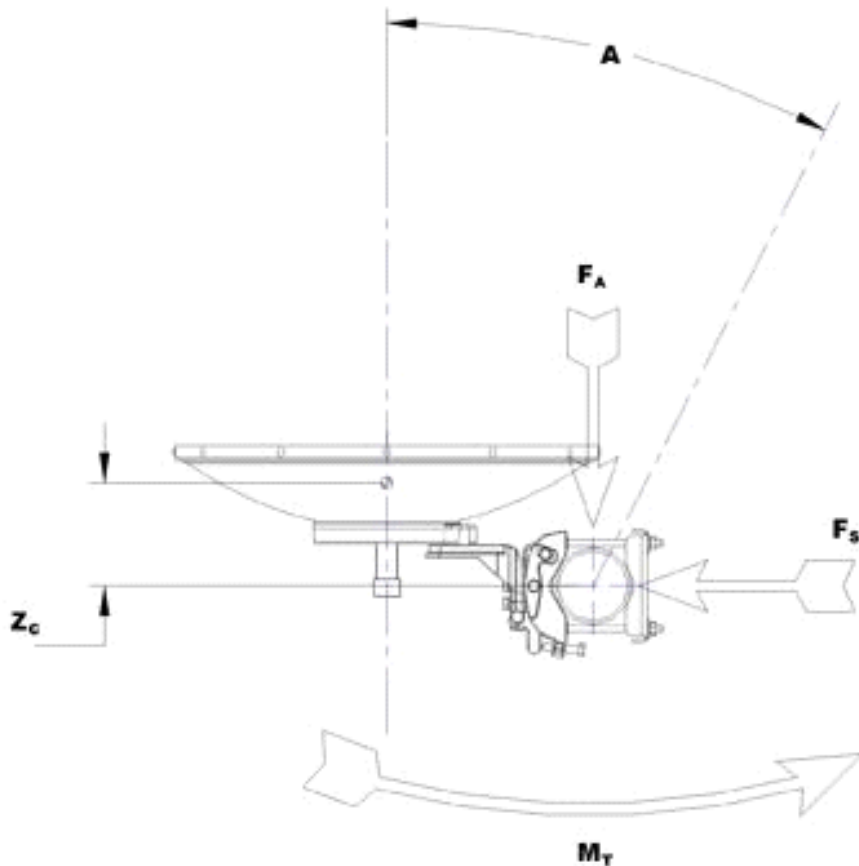
Fine Azimuth Adjustment	±5°
Fine Elevation Adjustment	±5°
Mounting Pipe Diameter	115 mm 4.5 in
Net Weight	261 kg 575 lb
Side Struts, Included	1 inboard 1 outboard
Side Struts, Optional	2 outboard
Wind Velocity Operational	110 km/h 68 mph
Wind Velocity Survival Rating	200 km/h 125 mph

Wind Forces At Wind Velocity Survival Rating

Angle α for MT Max	-110 °
Axial Force (FA)	17632 N 3964 lbf
Force on Inboard Strut Side	5870 N 1320 lbf
Force on Outboard Strut Side	8840 N 1987 lbf
Side Force (FS)	8734 N 1963 lbf
Twisting Moment (MT)	-8630 N•m
Weight with 1/2 in (12 mm) Radial Ice	577 kg 1272 lb
Zcg with 1/2 in (12 mm) Radial Ice	818 mm 32 in
Zcg without Ice	767 mm 30 in

UHX10-59W-P4M

Wind Forces At Wind Velocity Survival Rating Image

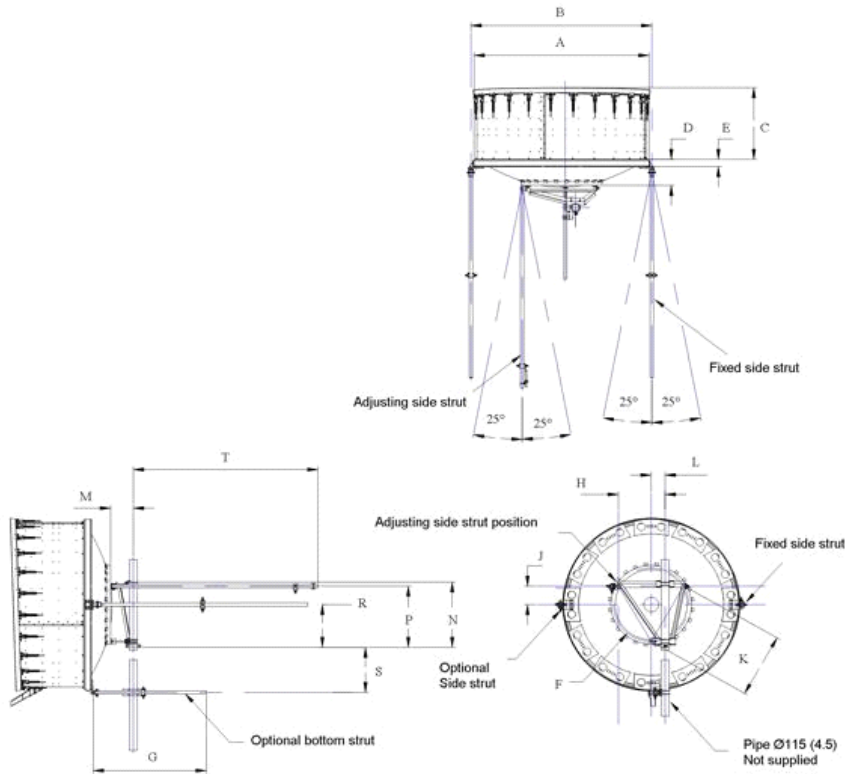


Packed Dimensions

Gross Weight, Packed Antenna	513.0 kg		1131.0 lb
Height	1930.0 mm		76.0 in
Length	3140.0 mm		123.6 in
Volume	7.7 m ³		
Width	1170.0 mm		46.1 in

UHX10-59W-P4M

Antenna Dimensions And Mounting Information



ANTENNA DIMENSIONS			
All dimensions in mm (inches)			
A	3160 (124.5)	K	950 (37.5)
B	3315 (130.5)	L	200 (8)
C	800 (31.5)	M	330 (13)
D	615 (24.25)	N	950 (37.5)
E	140 (5.5)	P	895 (35.25)
F	1100 (43.25)	R	625 (24.5)
G	1525 (60)	S	1000 (39.25)
H	680 (26.75)	T	3050 (120)
J	275 (10.75)		

Regulatory Compliance/Certifications

Agency

ISO 9001:2008

Classification

Designed, manufactured and/or distributed under this quality management system

* Footnotes

Axial Force (FA)

Maximum forces exerted on a supporting structure as a result of wind from the most critical direction for this parameter. The individual maximums specified may not occur simultaneously. All forces are referenced to the mounting pipe.

Cross Polarization Discrimination (XPD)

The difference between the peak of the co-polarized main beam and the

UHX10-59W-P4M

	maximum cross-polarized signal over an angle twice the 3 dB beamwidth of the co-polarized main beam.
Front-to-Back Ratio	Denotes highest radiation relative to the main beam, at $180^\circ \pm 40^\circ$, across the band. Production antennas do not exceed rated values by more than 2 dB unless stated otherwise.
Gain, Mid Band	For a given frequency band, gain is primarily a function of antenna size. The gain of Andrew antennas is determined by either gain by comparison or by computer integration of the measured antenna patterns.
Operating Frequency Band	Bands correspond with CCIR recommendations or common allocations used throughout the world. Other ranges can be accommodated on special order.
Packing	Andrew standard packing is suitable for export. Antennas are shipped as standard in totally recyclable cardboard or wire-bound crates (dependent on product). For your convenience, Andrew offers heavy duty export packing options.
Radiation Pattern Envelope Reference (RPE)	Radiation patterns define an antenna's ability to discriminate against unwanted signals. Under still dry conditions, production antennas will not have any peak exceeding the current RPE by more than 3dB, maintaining an angular accuracy of $\pm 1^\circ$ throughout
Return Loss	The figure that indicates the proportion of radio waves incident upon the antenna that are rejected as a ratio of those that are accepted.
Side Force (FS)	Maximum side force exerted on the mounting pipe as a result of wind from the most critical direction for this parameter. The individual maximums specified may not occur simultaneously. All forces are referenced to the mounting pipe.
Twisting Moment (MT)	Maximum forces exerted on a supporting structure as a result of wind from the most critical direction for this parameter. The individual maximums specified may not occur simultaneously. All forces are referenced to the mounting pipe.
VSWR	Maximum; is the guaranteed Peak Voltage-Standing-Wave-Ratio within the operating band.
Wind Velocity Operational	The wind speed where the antenna deflection is equal to or less than 0.1 degrees. In the case of ValuLine antennas, it is defined as a maximum deflection of 0.3 x the 3 dB beam width of the antenna.
Wind Velocity Survival Rating	The maximum wind speed the antenna, including mounts and radomes, where applicable, will withstand without permanent deformation. Realignment may be required. This wind speed is applicable to antenna with the specified amount of radial ice.