



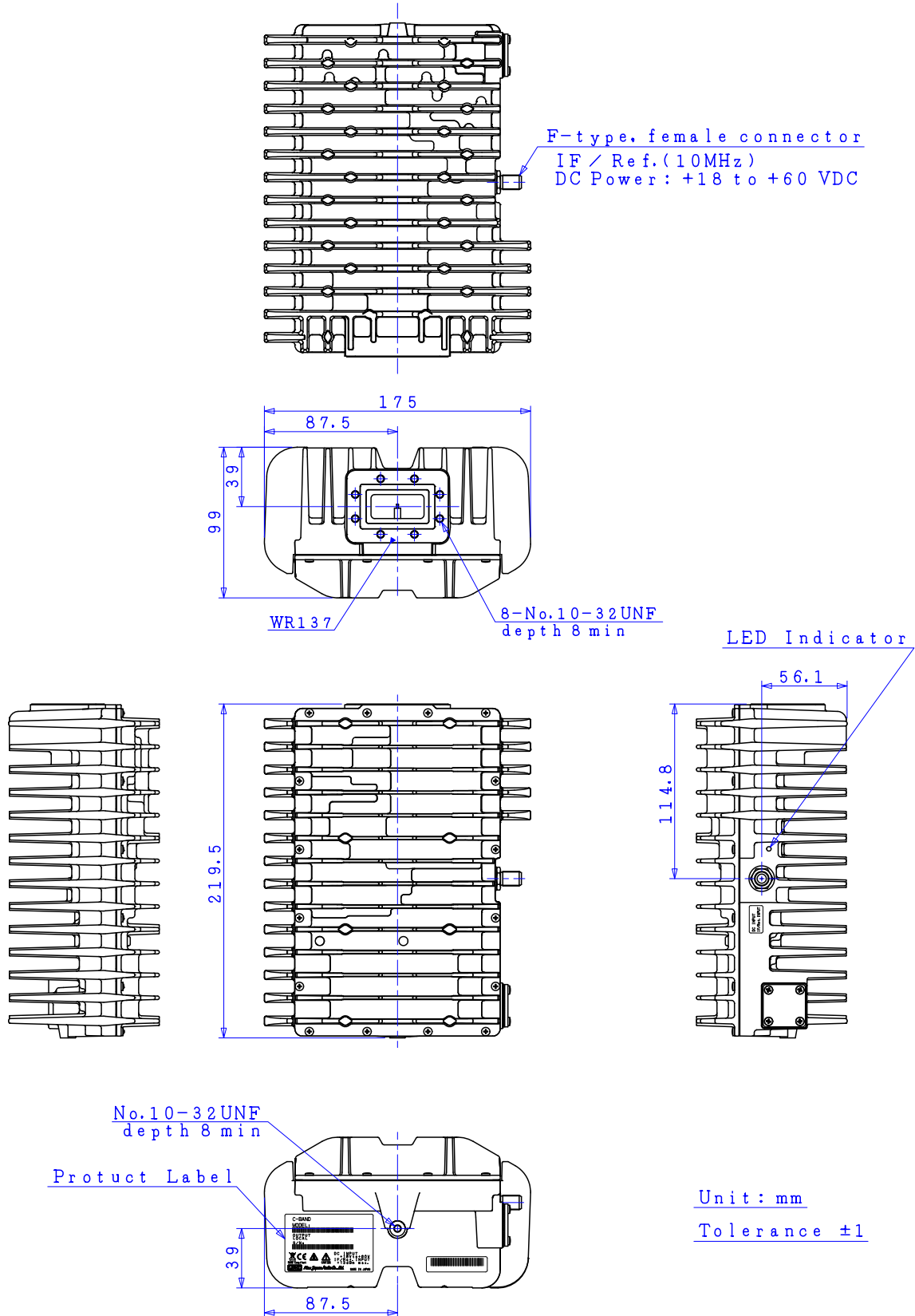


Standard C-band **10W** BUC

MODEL No. **NJT5762** series

< **Outline Drawing** >

**F-type, female Connector Model / DC Input: IF Connector**



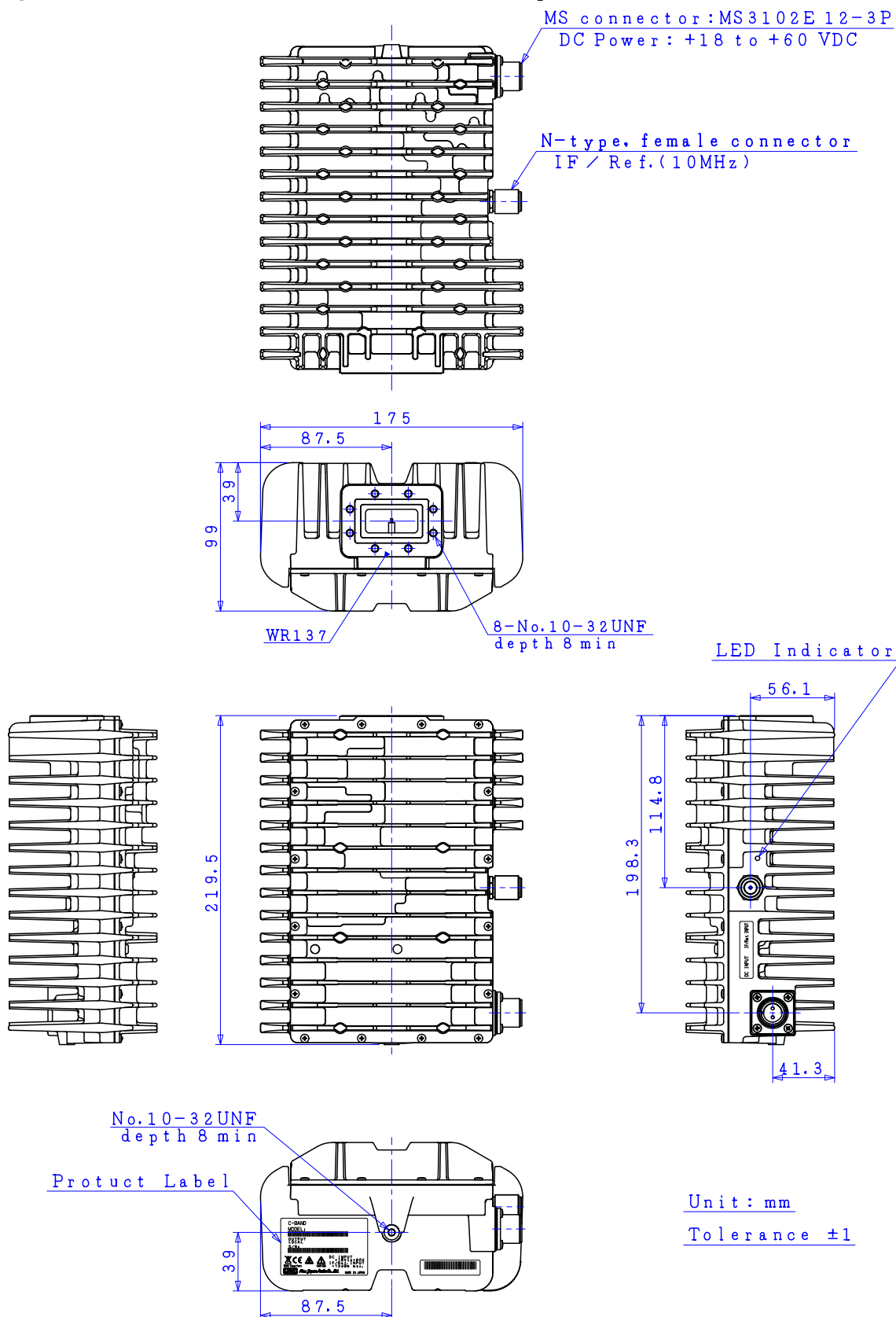
\*Note: The contents of this sheet are subject to change without notice.

Standard C-band **10W** BUC

MODEL No. **NJT5762** series

< **Outline Drawing** >

**N-type, female Connector Model / DC Input: MS Connector**



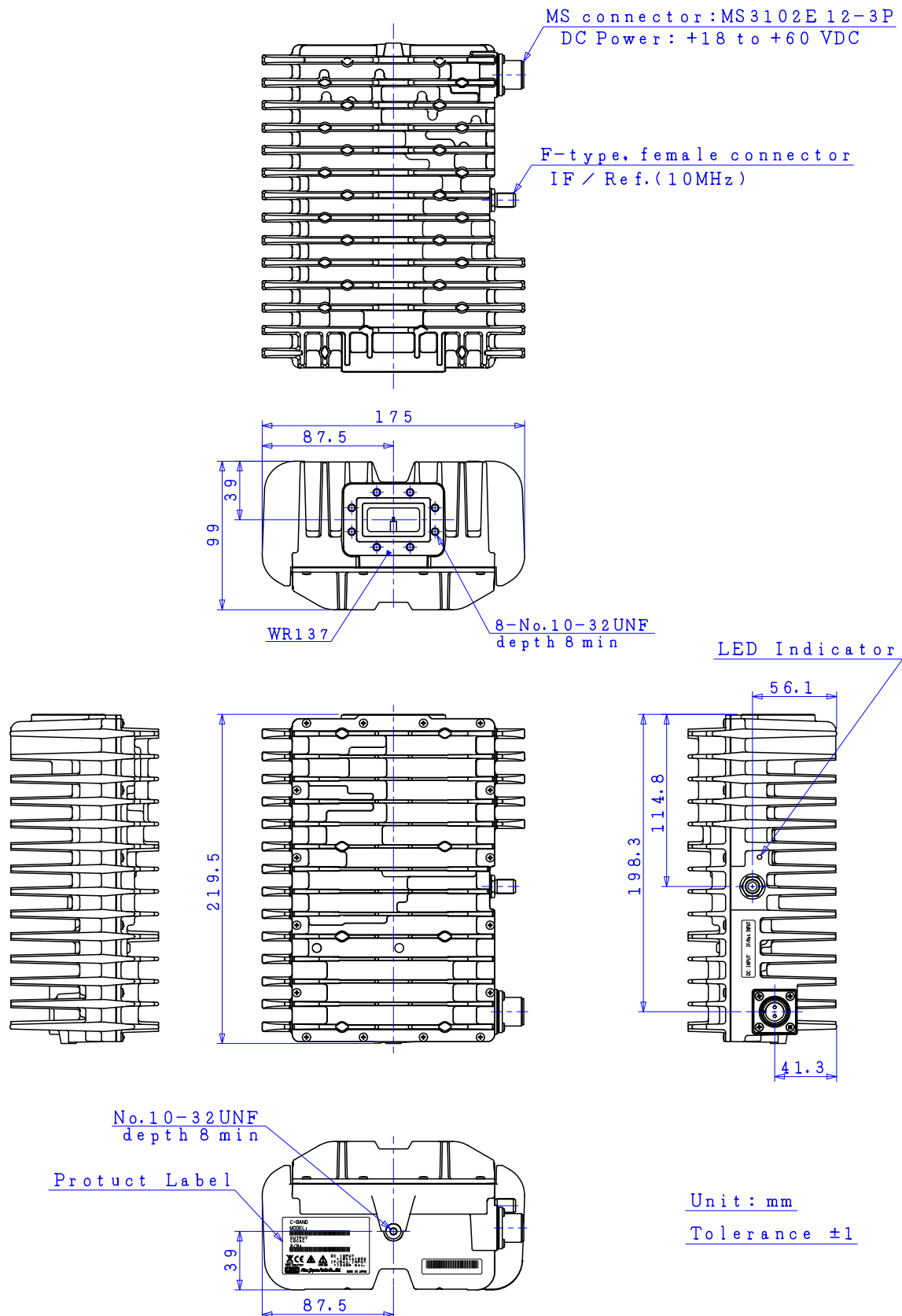
\*Note: The contents of this sheet are subject to change without notice.

Standard C-band **10W** BUC

MODEL No. **NJT5762** series

< **Outline Drawing** >

**F-type, female Connector Model / DC Input: MS Connector**



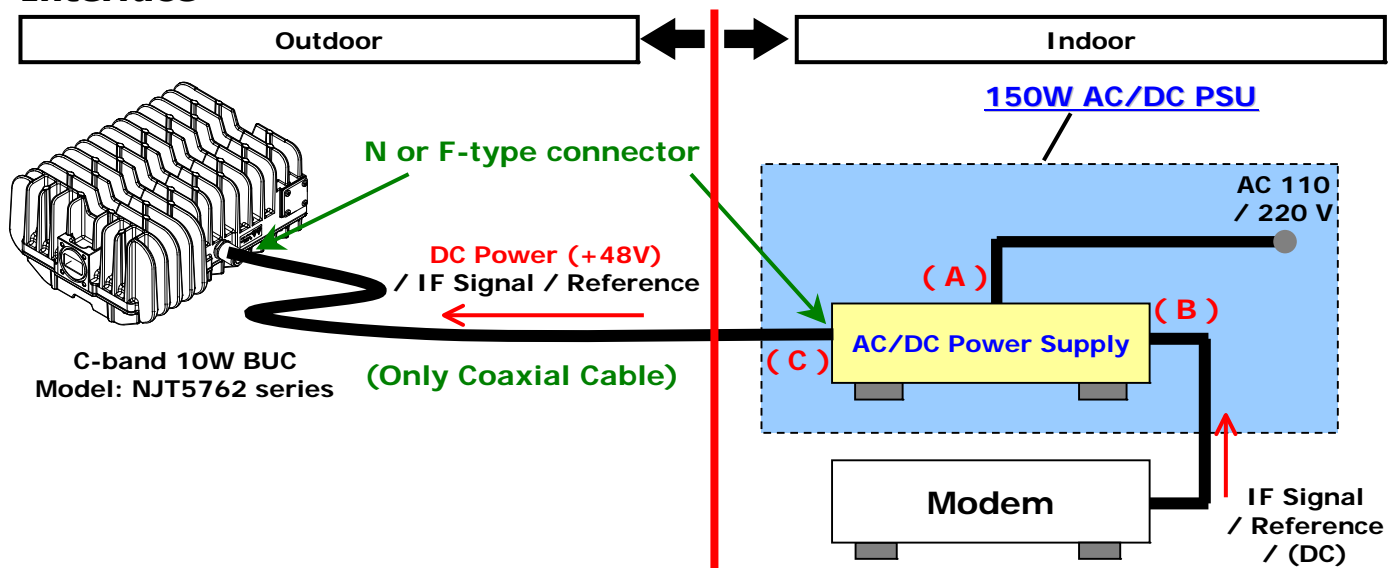
\*Note: The contents of this sheet are subject to change without notice.

# Standard C-band 10W BUC

## AC Power Option: Indoor 150W AC/DC Power Supply Unit (PSU)

### < Overview of AC Power Option >

#### - Interface -



#### - 150W AC/DC PSU -

\* The features of 150W AC/DC Power Supply Unit (PSU) is to provide the stable +48V DC power to operate C-band 10W BUCs, even if inner power supply of the modem is not capable enough to operate these BUCs.

\* The AC/DC box, which is having enough power supply of 150W as well as having the bias-tee which enable to pass 10MHz reference signal and L-band IF signal from the modem, is operated by AC Power and enable to operate these BUCs.

\* In addition, the aluminum housing with corrosion-proof treatment on the surface is employed with the box to use perfectly as the indoor unit.



### < Specifications >

Item	Specifications	
Interface	AC Input	IEC320-C14 inlet
	IF/Ref./DC Input	N-type, female (50 ohm) / F-type, female (75 ohm)
	IF/Ref./DC Output	N-type, female (50 ohm) / F-type, female (75 ohm)
Input AC Voltage Range	Rated Range	100 to 240 VAC
	Absolute Maximum Rating	90 to 264 VAC
Input AC Frequency Range	50 / 60 Hz	
Output Voltage / Power	+48 VDC +/- 10 % / 150 W max.	
Efficiency	80 % typical at 120 VAC, full load	
Power Factor	0.98 typical at 120 VAC, full load	
IF Frequency	950 to 1,700 MHz	
IF Insertion Loss	1 dB max.	
IF Input/Output VSWR	1.5 : 1 max.	
Standard	EN55022, EN55024, EN60950-1, EN61000-3-2/3, EN62311	
Temperature Range (ambient)	0 to +50 °C (operating), -30 to +85 °C (storage)	
Cooling	Forced Air by Fan	
Dimension & Housing ( without Interface Connectors / Switch)	290 mm (W) x 230 mm (D) x 44 mm (H) [11.41" (W) x 9.06" (D) x 1.73" (H)]	
Weight (without Cable)	1.6 kg [3.5 lbs]	
Accessories	Coaxial cable of 1 m, AC power cable of 1 m, 1U rack mount kit (Option)	

\*Note: The contents of this sheet are subject to change without notice.

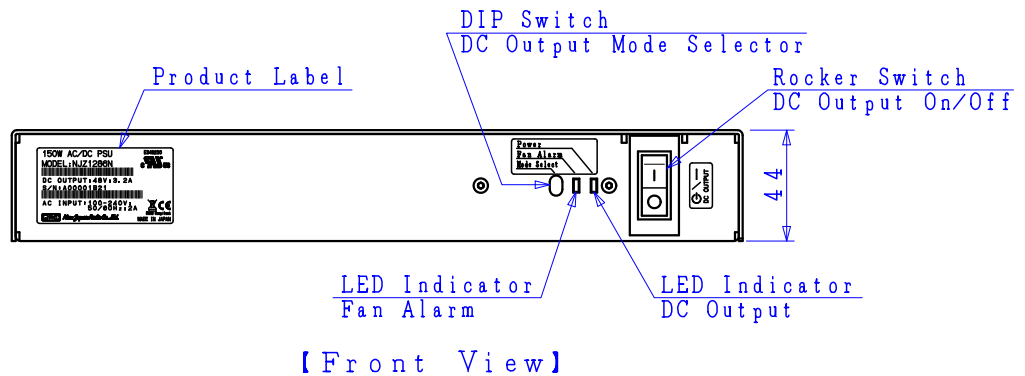
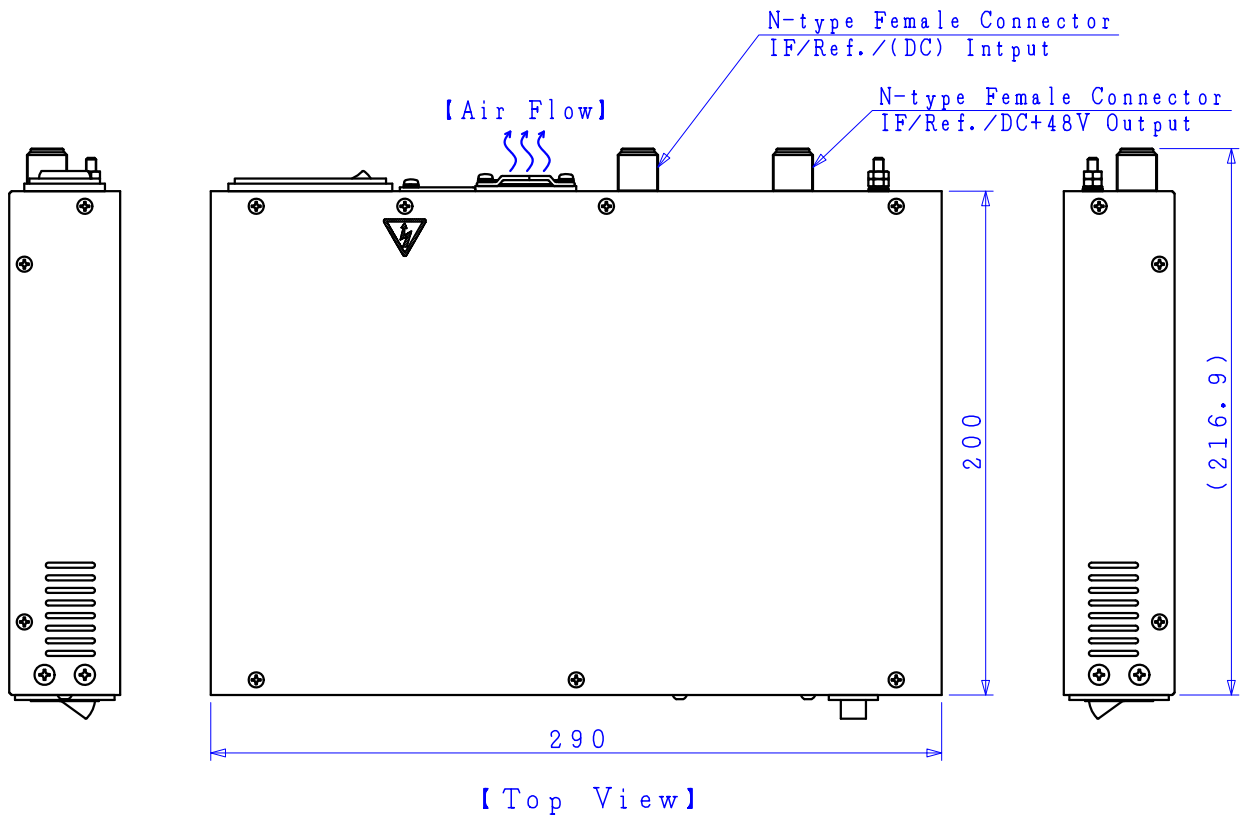
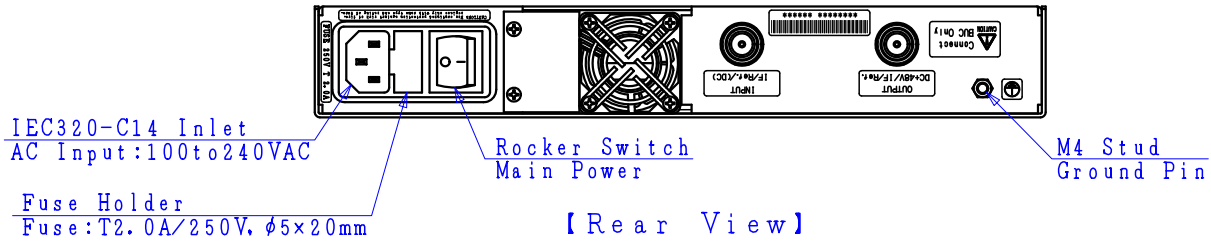
(6/8)  
Rev.07(May 2017) Standard C 10W BUC\_NJT5762

■ Standard C-band **10W BUC**

AC Power Option: **Indoor 150W AC/DC Power Supply Unit (PSU)**

< **Outline Drawing** >

**N-type, female Connector Model (AC/DC PSU)**



UNIT : mm

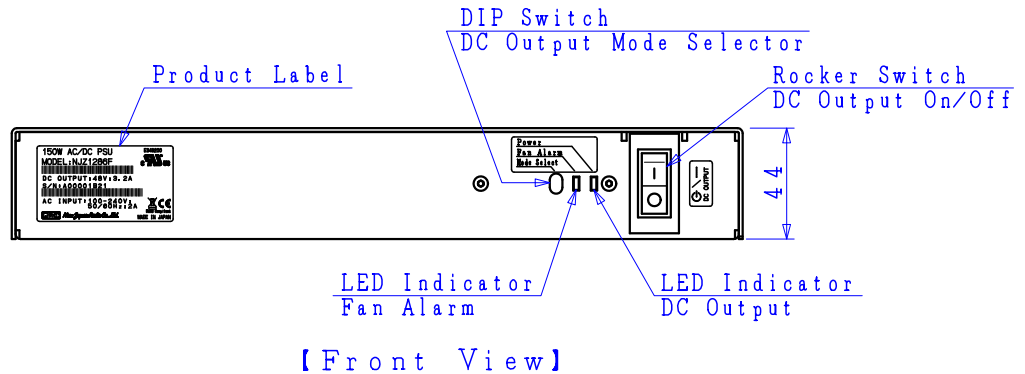
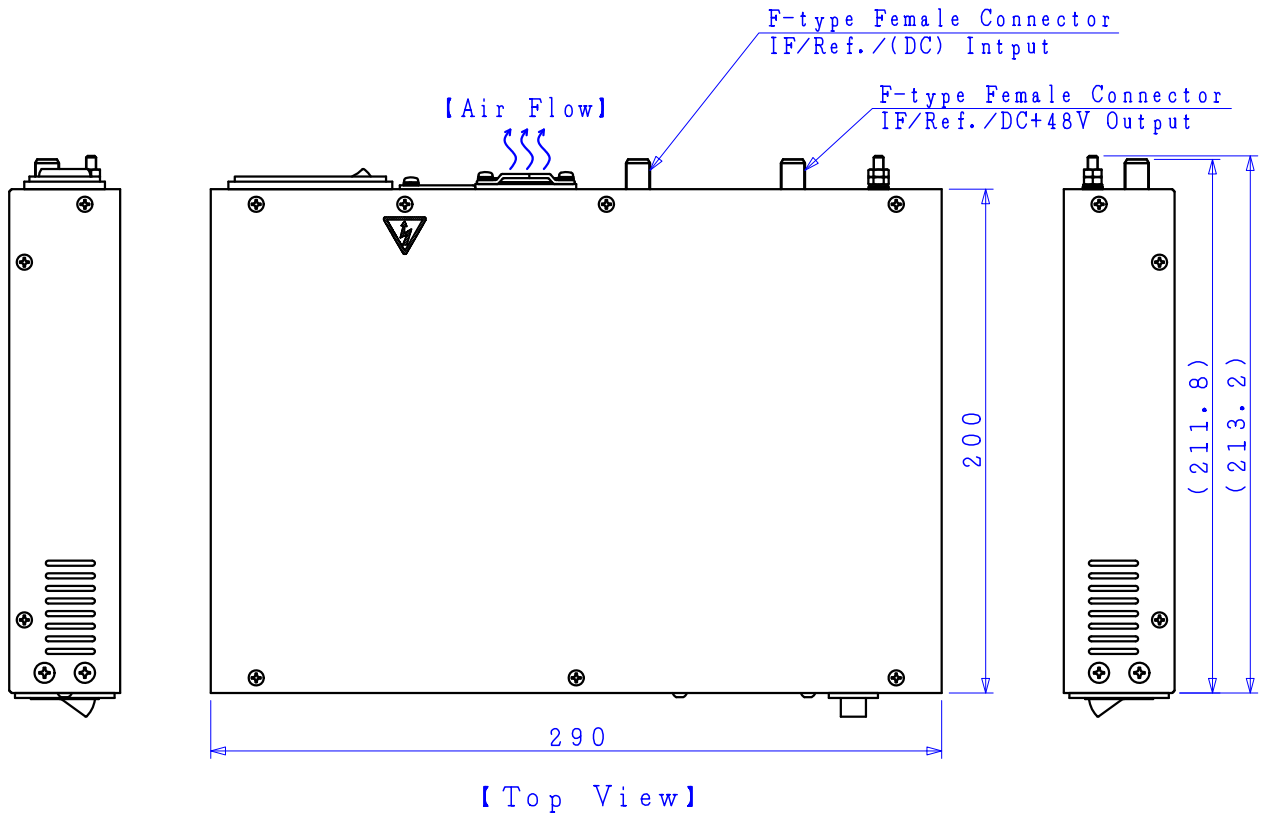
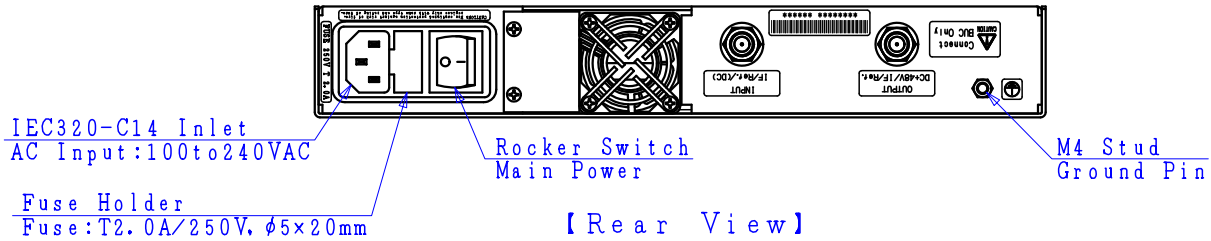
\*Note: The contents of this sheet are subject to change without notice.

■ Standard C-band 10W BUC

AC Power Option: Indoor 150W AC/DC Power Supply Unit (PSU)

< Outline Drawing >

F-type, female Connector Model (AC/DC PSU)



UNIT : mm

\*Note: The contents of this sheet are subject to change without notice.