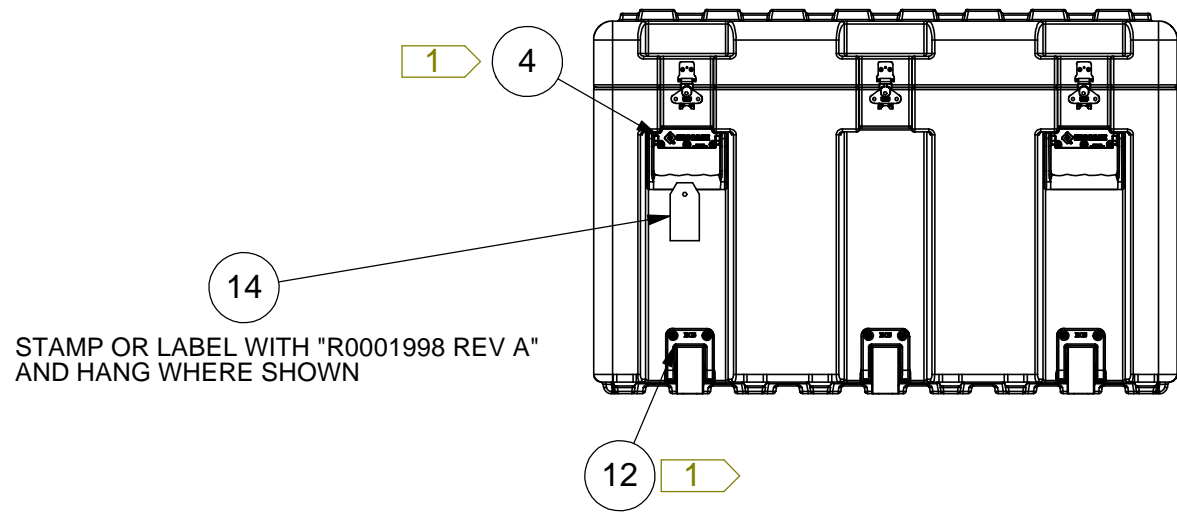
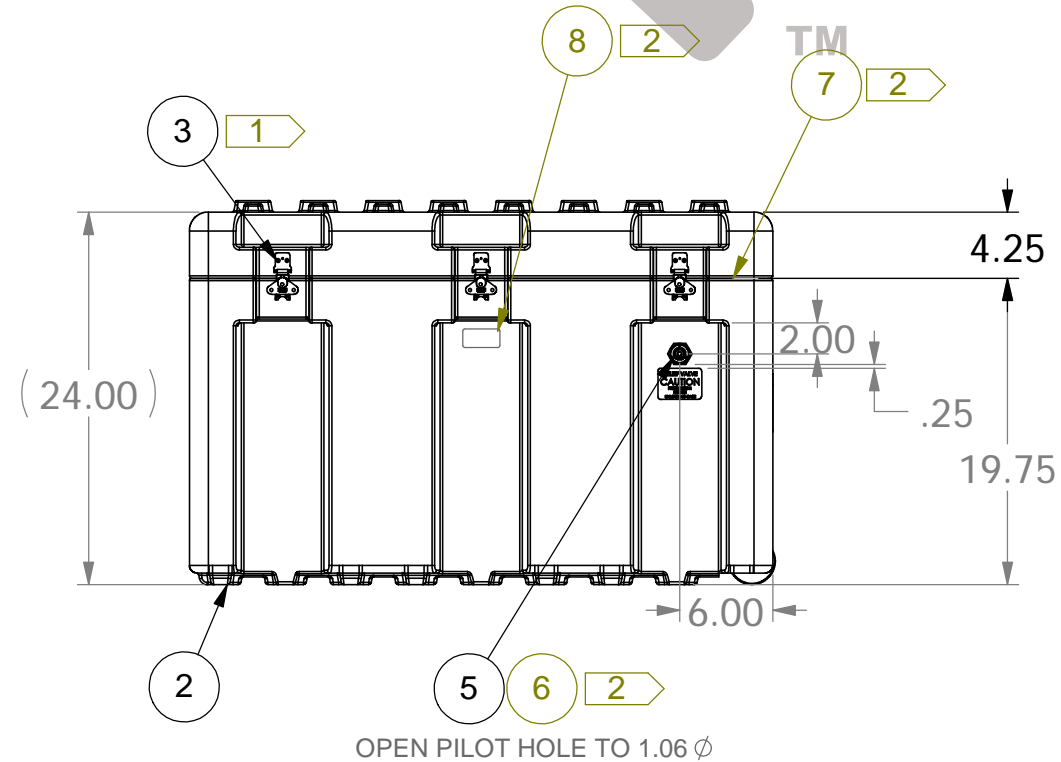


Becklin Holdings, Inc.

ECSCASE

protect

ECS LABEL CENTERED .25 DOWN FROM TOP OF INDENT, FS



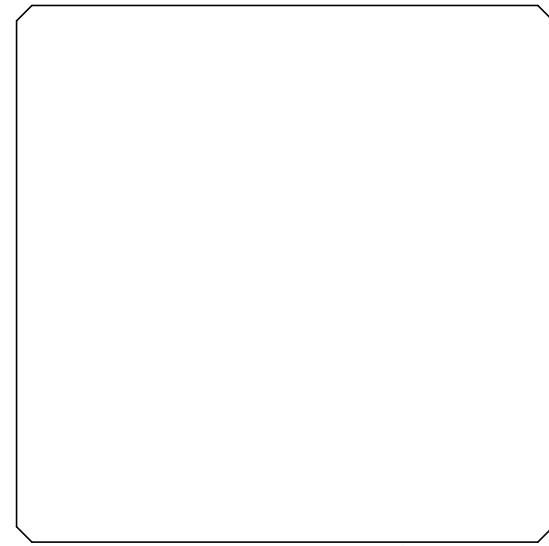
THIS DOCUMENT CONTAINS PROPRIETARY INFORMATION OF ECS CASE. RECEIPT OR POSSESSION DOES NOT CONVEY ANY RIGHTS TO REPRODUCE, DISCLOSE CONTENT, MANUFACTURE, USE, OR SELL ANYTHING IT MAY DESCRIBE. REPRODUCTION, DISCLOSURE OR USE WITHOUT SPECIFIC WRITTEN AUTHORIZATION OF ECS CASE IS STRICTLY FORBIDDEN.

SIZE B	CAGE NO. 24995	DWG. NO. R0001998	REV A
SCALE: 1:12		SHEET 2 OF 6	

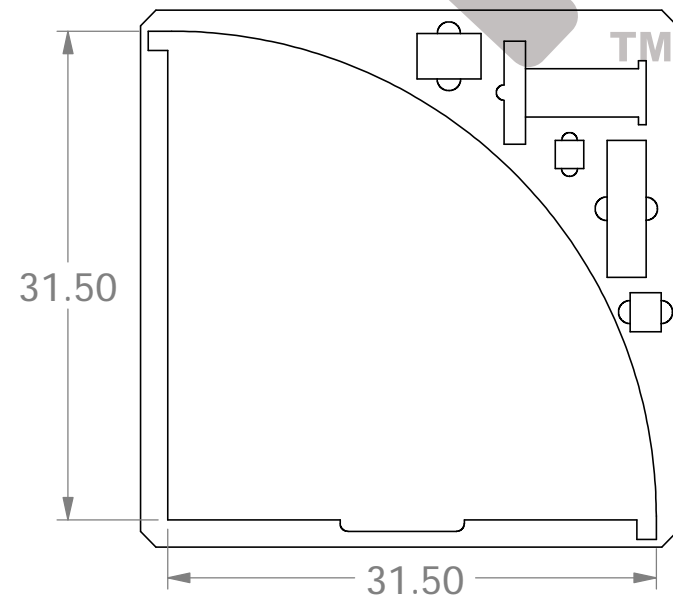
CUSHION ORIENTATION SHEET

NOTES:

1. GLUE LID AND BOTTOM CUSHION INTO CASE
2. INSPECT CUSHIONS IN CASE



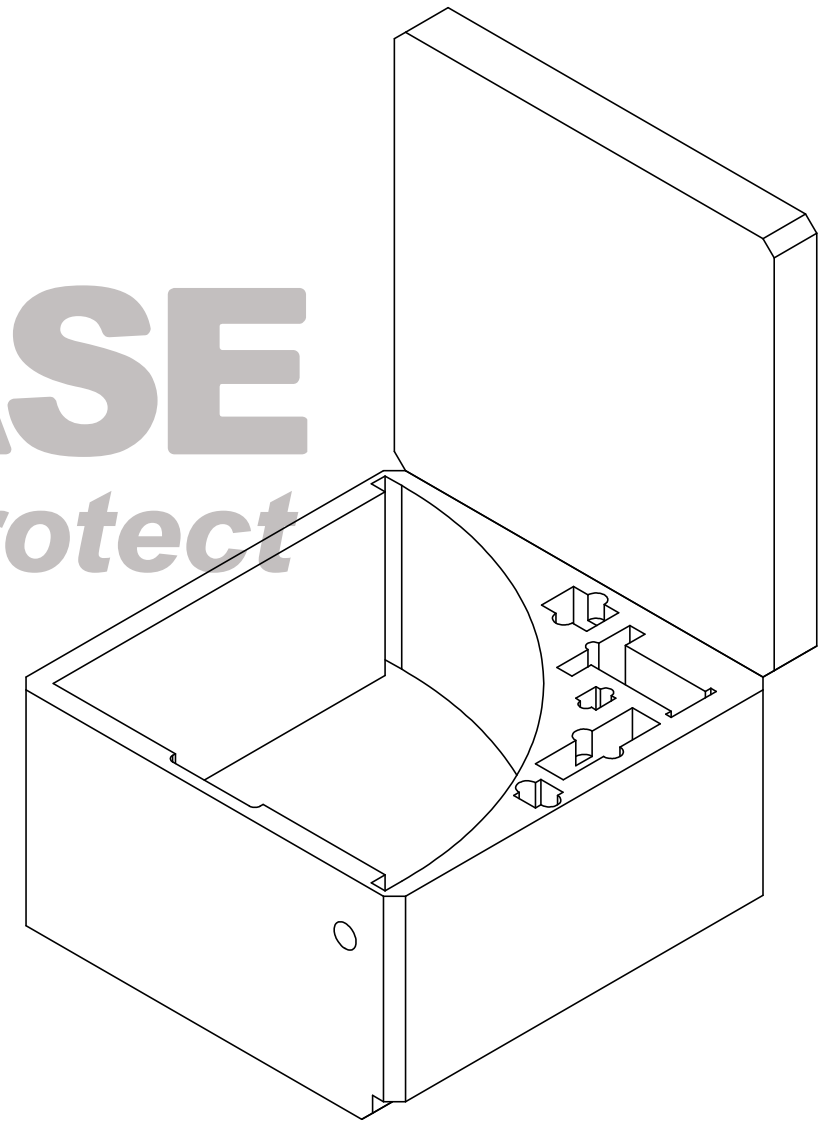
LID CUSHION



BOTTOM CUSHION

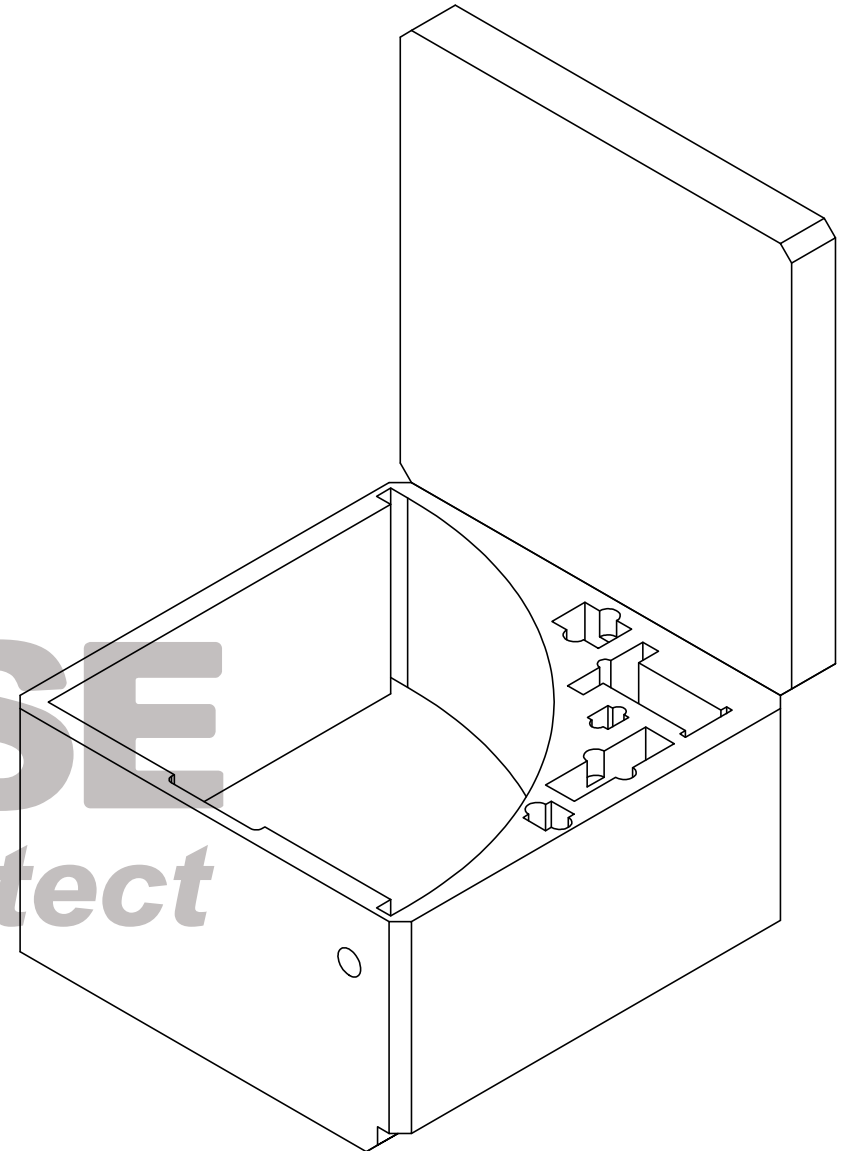
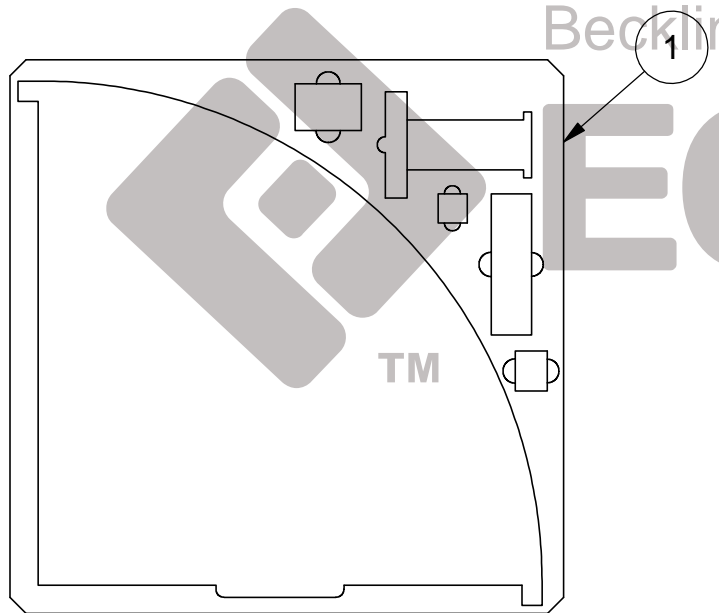
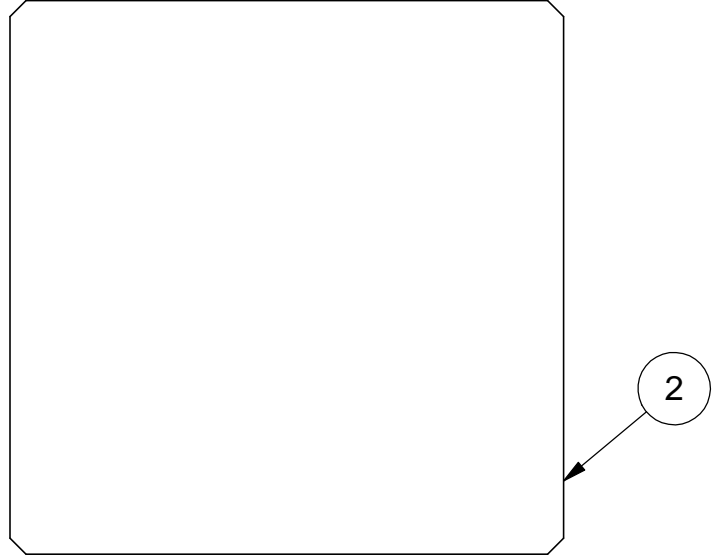
Becklin Holdings, Inc.

ECSCASE
protect



SIZE B	CAGE NO. 24995	DWG. NO. R0001998	REV A
SCALE: 1:12		SHEET 3 OF 6	

REVISIONS				
ZONE	REV.	DESCRIPTION	DATE	APPROVED
	A	CHANGES TO BOTTOM CUSHION PER CUSTOMER REDLINES	DBELAU 12/10/13	



Becklin Holdings, Inc.

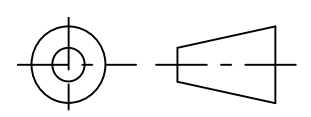


1. NOTES:
 CUSHION TO BE MANUFACTURED AND INSPECTED IAW
 ECS PRODUCT MANAGEMENT STANDARD STANDARD
 OPERATING PROCEDURE 215- CUSHION DIMENSIONING
 AND TOLERANCING.

ITEM NO.	PART NUMBER	DESCRIPTION	QTY.	Unit
1	41023303	CUSHION BOTTOM	1	EA
2	41023302	CUSHION TOP	1	EA

UNLESS OTHERWISE SPECIFIED:

DIMENSIONS ARE IN INCHES
 TOLERANCES: **1.**
 INTERPRET GEOMETRIC
 TOLERANCING PER: ASME Y14.5M-1994
 THIRD ANGLE PROJECTION



	NAME	DATE
DRAWN	DBELAU	6/19/13
CHECKED	AARM-STRONG	8/26/13
ENG APPR.		
Q.A.	AHOLGUIN	8/26/13
MFG	JMEARS	8/27/13

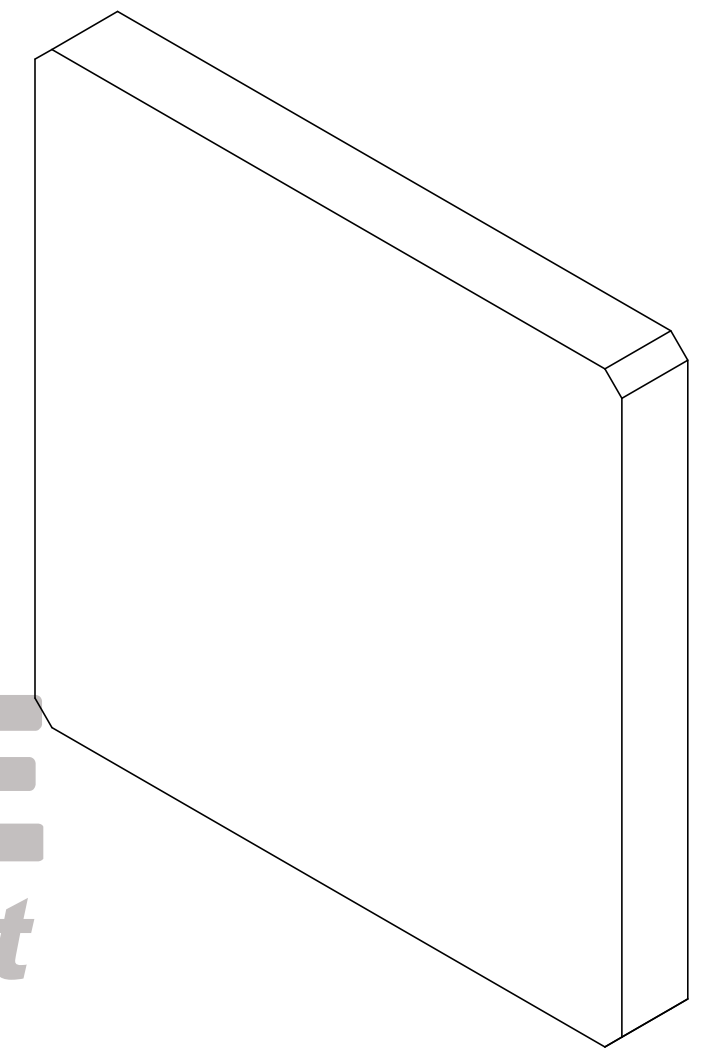
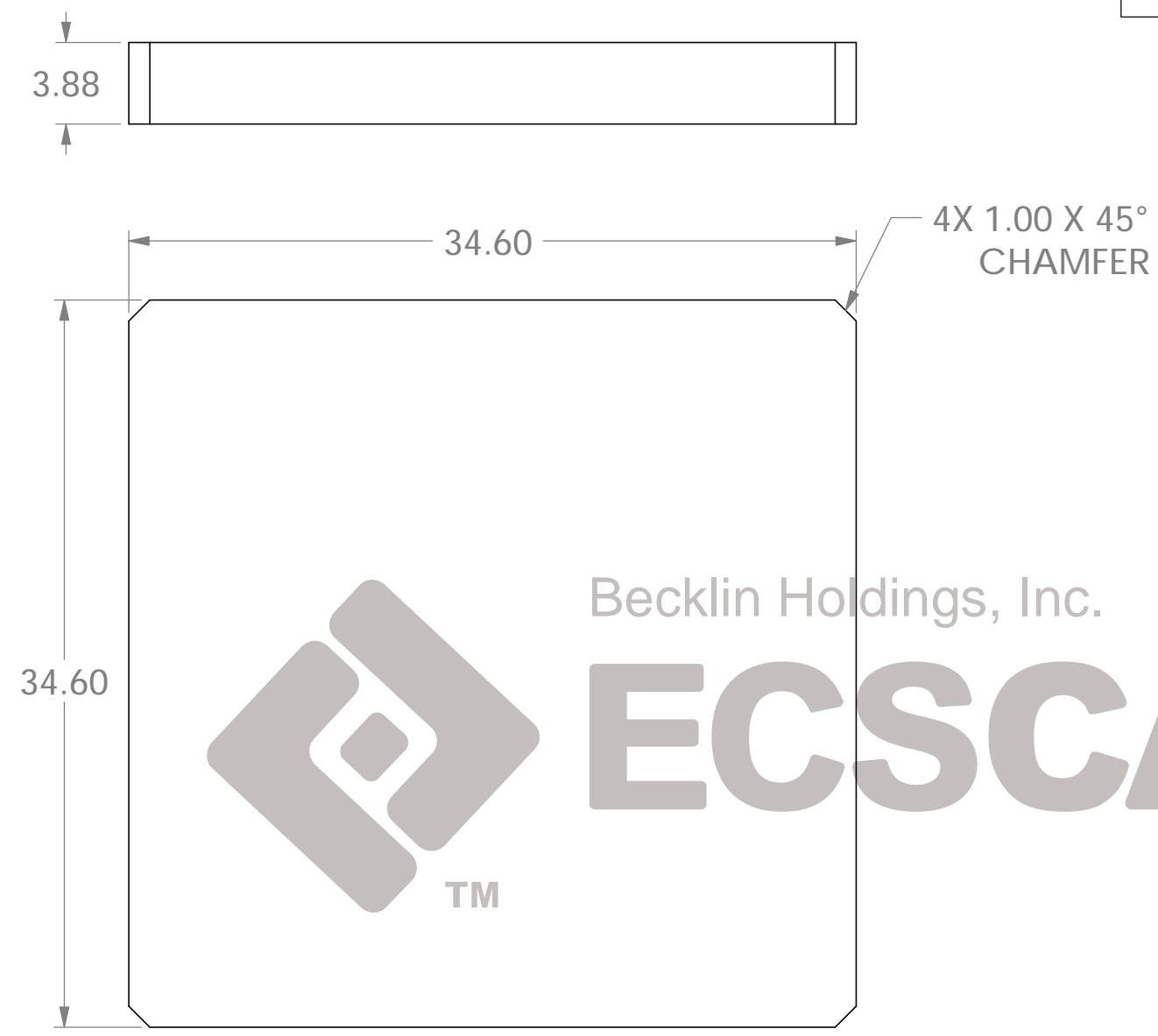
ECSCASE protect SatelliteDish.com
954-941-8883

TITLE: CUSHION SET			
SIZE B	CAGE NO. 24995	DWG. NO. 41023301	REV A
SCALE: 1:12		WEIGHT:	SHEET 1 OF 1

THIS DOCUMENT CONTAINS PROPRIETARY INFORMATION OF
 ECS CASE.
 RECEIPT OR POSSESSION DOES NOT CONVEY ANY RIGHTS TO
 REPRODUCE, DISCLOSE CONTENT, MANUFACTURE, USE, OR
 SELL ANYTHING IT MAY DESCRIBE. REPRODUCTION,
 DISCLOSURE OR USE WITHOUT SPECIFIC WRITTEN
 AUTHORIZATION OF ECS CASE IS STRICTLY FORBIDDEN.

	R0001998
NEXT ASSY	USED ON
APPLICATION	

REVISIONS				
ZONE	REV.	DESCRIPTION	DATE	APPROVED



1. NOTES:

CUSHION TO BE MANUFACTURED AND INSPECTED IAW ECS PRODUCT MANAGEMENT STANDARD STANDARD OPERATING PROCEDURE 215- CUSHION DIMENSIONING AND TOLERANCING.

THIS DOCUMENT CONTAINS PROPRIETARY INFORMATION OF ECS CASE.
 RECEIPT OR POSSESSION DOES NOT CONVEY ANY RIGHTS TO REPRODUCE, DISCLOSE CONTENT, MANUFACTURE, USE, OR SELL ANYTHING IT MAY DESCRIBE. REPRODUCTION, DISCLOSURE OR USE WITHOUT SPECIFIC WRITTEN AUTHORIZATION OF ECS CASE IS STRICTLY FORBIDDEN.

41023301	R0001998
NEXT ASSY	USED ON
APPLICATION	

UNLESS OTHERWISE SPECIFIED:
 DIMENSIONS ARE IN INCHES
 TOLERANCES:
 INTERPRET GEOMETRIC TOLERANCING PER: ASME Y14.5M-1994
 THIRD ANGLE PROJECTION

ITEM #	PART NUMBER	DESCRIPTION	QTY	UNIT
1	41000622	FOAM GREY ETHA 2.2PCF	35.6	BF

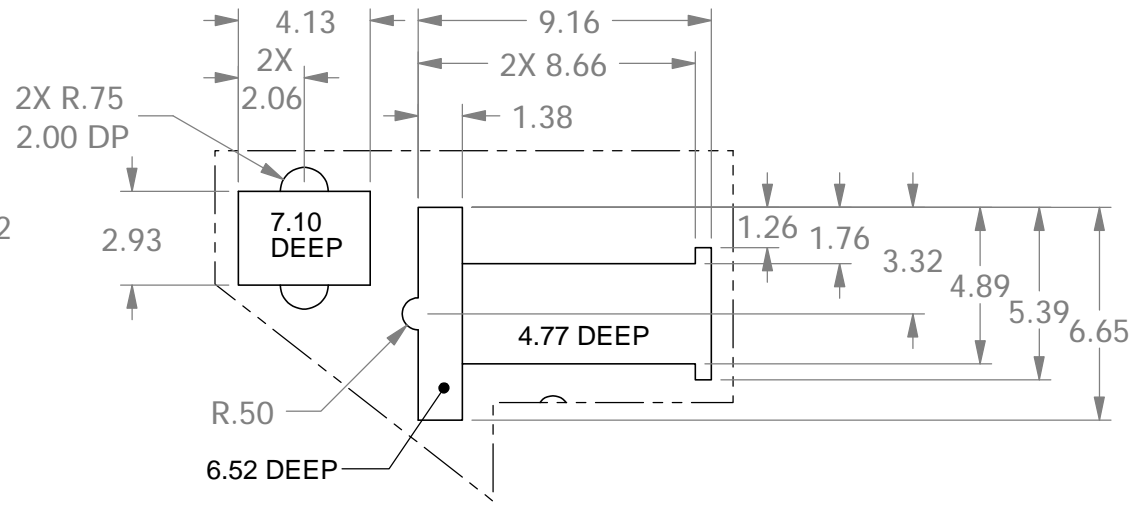
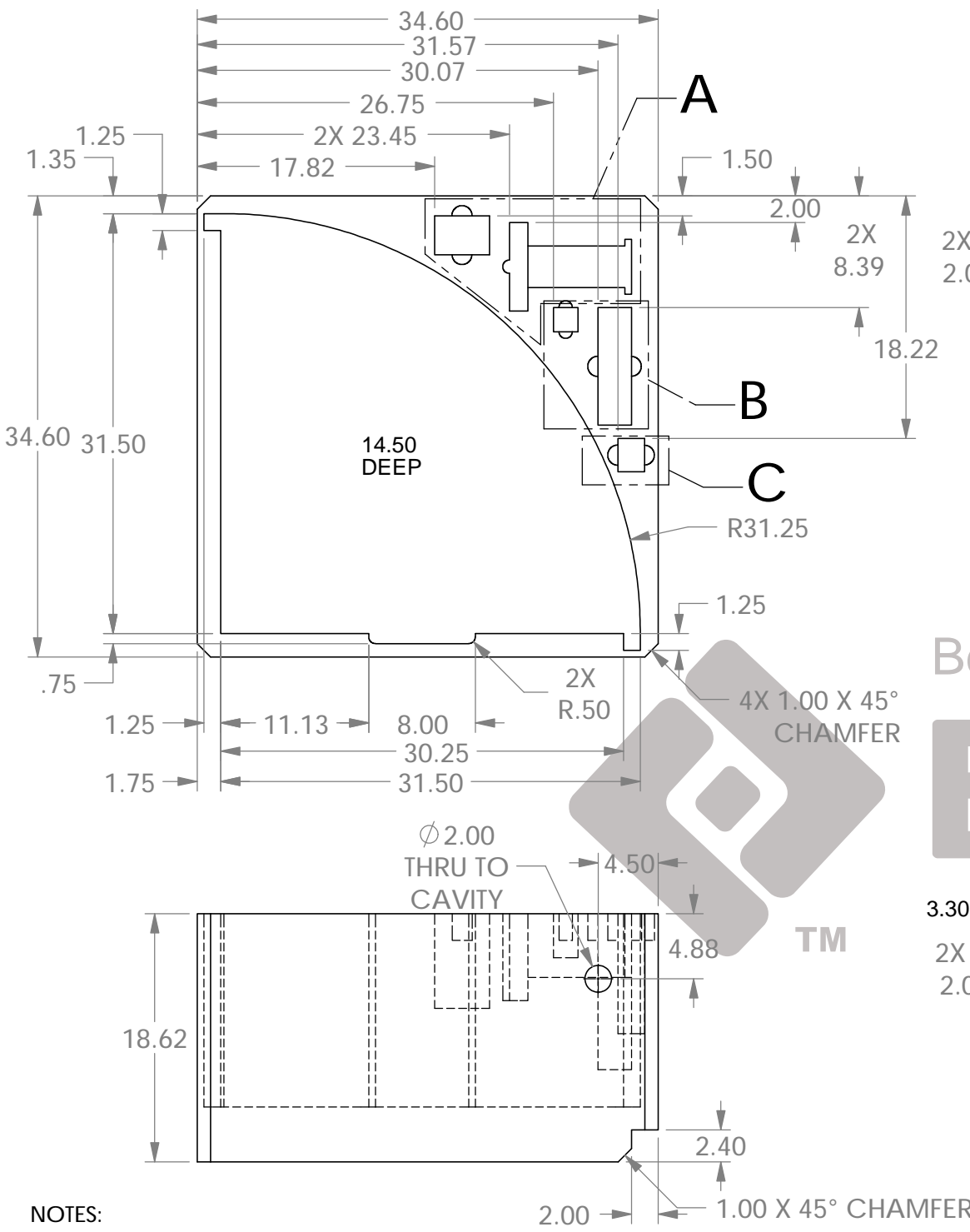
	NAME	DATE
DRAWN	DBELAU	6/19/13
CHECKED		
ENG APPR.		
Q.A.		
MFG		
COMMENTS: DO NOT SCALE DRAWING		

SatelliteDish.com
 954-941-8883

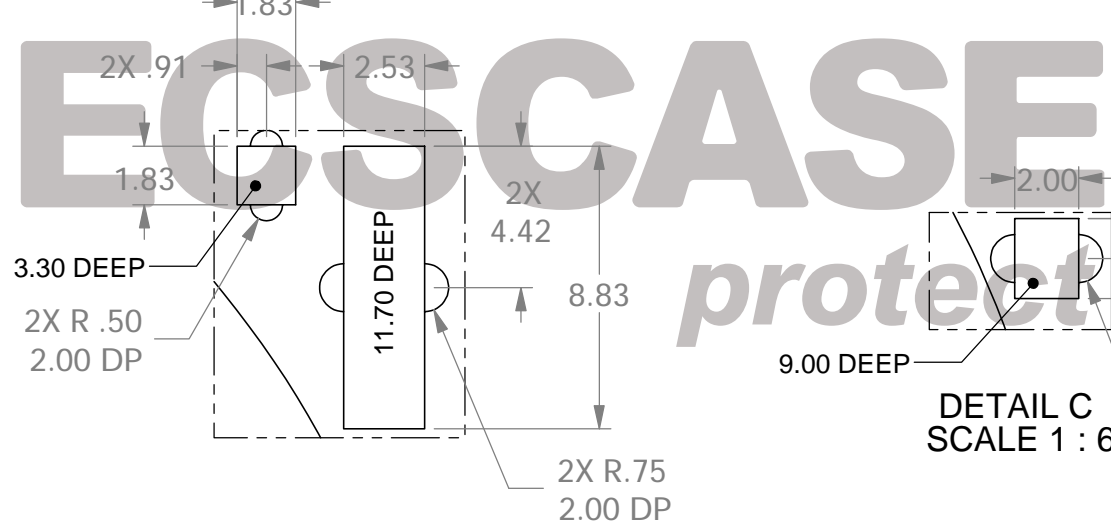
TITLE:
CUSHION TOP

SIZE B	CAGE NO. 24995	DWG. NO. 41023302	REV NC
-----------	-------------------	----------------------	-----------

SCALE: 1:8 WEIGHT: SHEET 1 OF 1

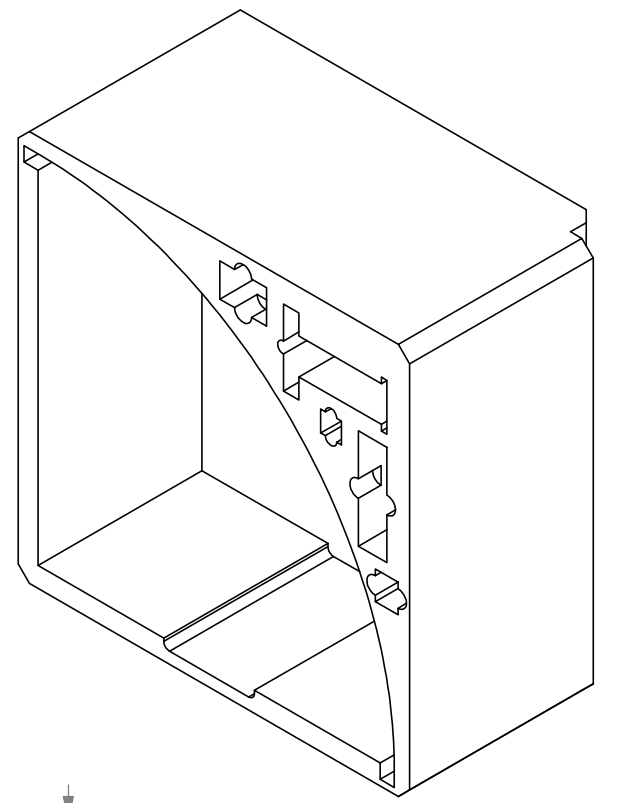


Becklin Holdings, Inc.
DETAIL A
SCALE 1:6



DETAIL B
SCALE 1:6

DETAIL C
SCALE 1:6



REVISIONS				
ZONE	REV.	DESCRIPTION	DATE	APPROVED
	A	DETAIL B: 8.83 WAS 7.83, DETAIL C: ADD 9.00 DEEP CAVITY, ADD NOTCHES AND HAND RELIEF IN MAIN CAVITY	DBELAU 12/10/13	

1. NOTES:

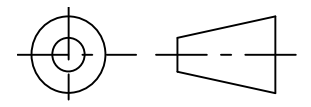
CUSHION TO BE MANUFACTURED AND INSPECTED IAW ECS PRODUCT MANAGEMENT STANDARD STANDARD OPERATING PROCEDURE 215- CUSHION DIMENSIONING AND TOLERANCING.

ITEM #	PART NUMBER	DESCRIPTION	QTY	UNIT
1	41000622	FOAM GREY ETHA 2.2PCF	142.4	BF
2	41000619	FOAM GREY ETHA 2.2PCF	35.6	BF

UNLESS OTHERWISE SPECIFIED:

DIMENSIONS ARE IN INCHES
TOLERANCES:
INTERPRET GEOMETRIC TOLERANCING PER: ASME Y14.5M-1994

THIRD ANGLE PROJECTION



	NAME	DATE
DRAWN	DBELAU	6/19/13
CHECKED	AARM-STRONG	8/26/13
ENG APPR.		
Q.A.	AHOLGUIN	8/26/13
MFG	JMEARS	8/27/13



SatelliteDish.com
954-941-8883

TITLE:
CUSHION BOTTOM

THIS DOCUMENT CONTAINS PROPRIETARY INFORMATION OF ECS CASE.
RECEIPT OR POSSESSION DOES NOT CONVEY ANY RIGHTS TO REPRODUCE, DISCLOSE CONTENT, MANUFACTURE, USE, OR SELL ANYTHING IT MAY DESCRIBE. REPRODUCTION, DISCLOSURE OR USE WITHOUT SPECIFIC WRITTEN AUTHORIZATION OF ECS CASE IS STRICTLY FORBIDDEN.

41023301	R0001998
NEXT ASSY	USED ON
APPLICATION	

COMMENTS:
DO NOT SCALE DRAWING

SIZE	CAGE NO.	DWG. NO.	REV
B	24995	41023303	A
SCALE: 1:12		WEIGHT:	SHEET 1 OF 1