



## 25W Ext. @k Ku-Band BUC

### KEY FEATURES

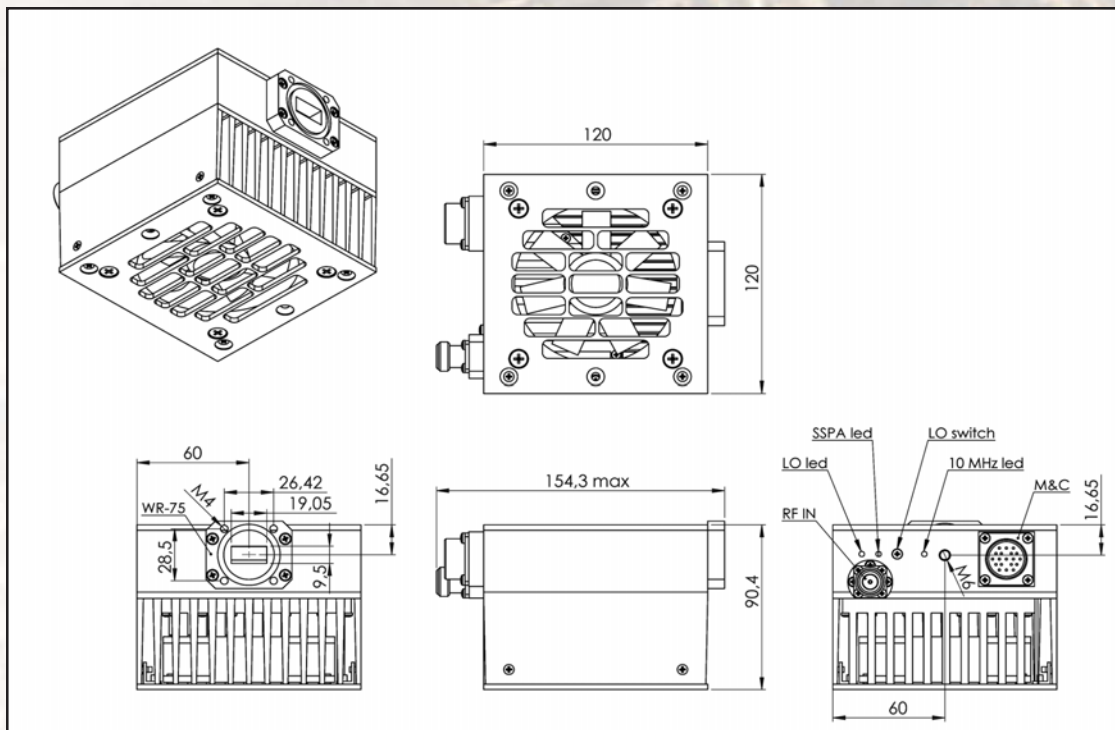
- ◆ Output frequency 18.1 - 18.75 GHz
- ◆ Smallest and lightest
- ◆ Double - L.O. (electronically and manually switchable (18.80 / 18.05 GHz))
- ◆ Auto-ranging 15-60 VDC
- ◆ Incomparable Low power consumption (120W max)
- ◆ Digital temperature compensation
- ◆ Amplifier, L.O. and 10 MHz Reference Status LEDs
- ◆ Field-exchangeable (F/N) IF connector
- ◆ M&C - combined RS-232/485/FSK (optional)
- ◆ Internal 10MHz high stability  $10^{-8}$  reference (optional)
- ◆ Ethernet control (optional)
- ◆ Three-year warranty
- ◆ RoHS compliant

### ABE25SKX@ / ABE25SKX@



This smallest and lightest 25W Low Ku-Band Block Up Converter is designed to be mounted on a feed horn. The unit is ideal for portable and mobile applications. Double - L.O. feature makes unit universal for Low Ku-Band requirements. It is powered either with 24 or 48 VDC and consumes less than 120W

### Mechanical Drawing





## 25W 91 Hz @ 2k Ku-Band BUC

### TECHNICAL SPECIFICATIONS

<b>RF frequency</b>	1H.00 to 1H.50 GHz 1G.75 to 1H.50 GHz
<b>Local oscillator- electronically and manually switchable</b>	1G.05 GHz and 1F.80 GHz
<b>IF frequency</b>	950 to 1,700 MHz
<b>Output power</b>	25W (43.5 dBm min, 44 dBm typ.) 13W P-Linear (41 dBm min.)
<b>IF connector</b>	N-type or F-type (field-exchangeable)
<b>Power supply- auto-ranging</b>	+15~+60 VDC via IF cable, 120W max
<b>Internal 10MHz high stability reference</b>	10 <sup>-8</sup>
<b>Output interface</b>	WR-75 G
<b>Gain variation</b> over 40 MHz over 500 MHz	± 0.8 dB p-p ± 1.5 dB p-p
<b>Over operating temperature</b>	± 1.5 dB p-p @ fixed frequency
<b>Gain</b>	65 dB min., 68 dB nominal
<b>IMD3</b> (3dB back off rated output power)	-26 dBc max 2 signal 5MHz apart at P-LINEAR
<b>L.O. leakage</b>	-45 dBm max
<b>Spurious</b>	-53 dBc max
<b>Requirement for external reference</b> frequency input power	via IF cable 10MHz (sine-wave) -5 to +5 dBm @ input port
<b>Phase noise</b>  (Exceeds Intelsat's standard IESS308/309)	-55 dBc/Hz max. @ 10 Hz -65 dBc/Hz max. @ 100 Hz -75 dBc/Hz max. @ 1 KHz -85 dBc/Hz max. @ 10 KHz -95 dBc/Hz max. @ 100 KHz -115 dBc/Hz max @ 1 MHz
<b>M&amp;C</b>	RS-232 and RS-485, Ethernet
<b>FSK</b>	Multiplexed on TX IFL, compatible with Comtech and Paradigm
<b>Noise figure</b>	20 dB max
<b>Input V.S.W.R.</b>	2 : 1 max
<b>Output V.S.W.R.</b>	2 : 1 max.
<b>Mute</b>	Shut off the BUC in case of L.O. unlocked
<b>Status LED</b> Amplifier      RED GREEN L.O.                YELLOW YELLOW blinking 10 MHz           GREEN GREEN blinking RED	Summary alarm All OK All OK standard L.O. 12.05 GHz All OK extended L.O. 11.80 GHz External 10MHz reference Internal 10MHz reference No 10MHz reference detected
<b>Temperature range (ambient)</b>  operating storage	-40 deg C to +55 deg C -55 deg C to +85 deg C
<b>Dimensions &amp; housing</b>	120 (L) x 120 (W) x 90.4 (H) mm 4.72" (L) x 4.72" (W) x 3.61" (H)
<b>Weight</b>	1.8 kg (4.0 lbs) max