



125W Ext. C-Band Block Up Converter

KEY FEATURES

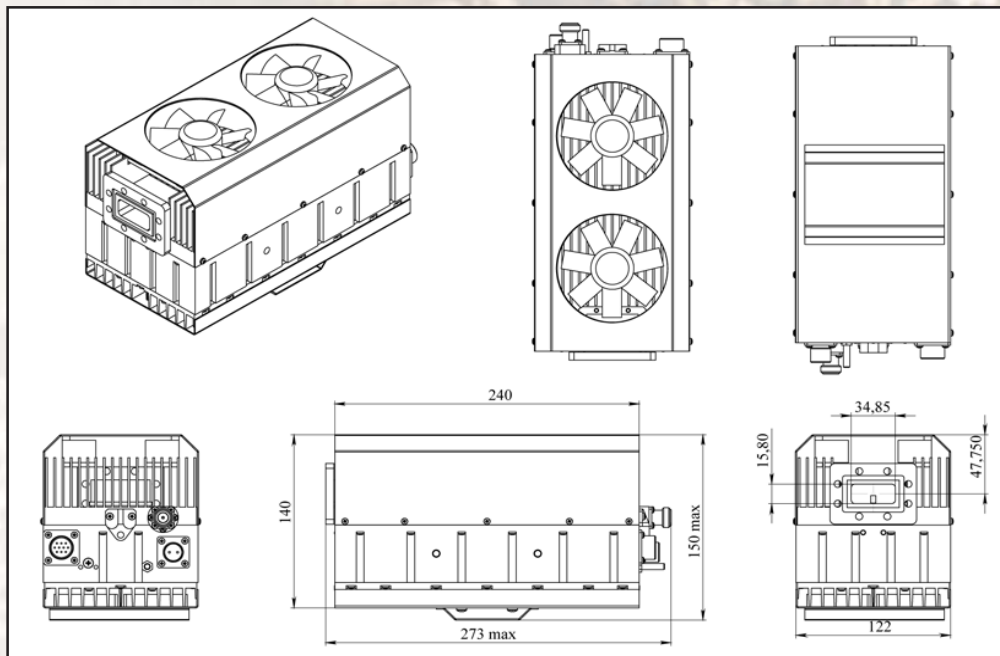
- ◆ 5.850 GHz - 6.725 GHz output frequency
- ◆ Based on GaN technology: high efficiency, low power consumption and high reliability
- ◆ Smallest package size and weight
- ◆ High power efficiency (125W min over temperature)
- ◆ Digital temperature compensation
- ◆ Field-exchangeable (F/N) IF connector
- ◆ 80 - 240 VAC auto-ranging powering (500W max) and optional 48VDC
- ◆ Power and lock status LED
- ◆ Advanced M & C interface - combined RS-232/485, Ethernet and optional FSK
- ◆ Internal 10MHz high stability 10^{-8} reference (optional)
- ◆ RoHS compliant
- ◆ Three-year warranty

ABD125DC / ABD125DCF



This is a unique Ext. C-Band (5.850-6.725 GHz) 125W Block Up Converter powered with auto-ranging 80-240 VAC unit, designed for mobile applications especially when an earth station needs to be able to use different C-Band (Standard or Palapa) transponders or satellites. It's light enough to be mounted on a feed horn of most antennas.

Mechanical Drawing





125W Ext. C-Band Block Up Converter

TECHNICAL SPECIFICATIONS

RF frequency	5.850 to 6.725 GHz
Local oscillator	4.90 GHz
IF frequency	950 to 1,825 MHz
Output power	@ PSAT @ P-LINEAR 125W (+51 dBm min) 60W (+48 dBm min)
IF connector	N-type or F-type (field-exchangeable)
Power supply via MS connector ABD125DC-auto-ranging	80-240 VAC, 500 W max Optional 48 VDC
Output interface	CPR 137 G
Gain	75 dB nominal Adjustable in 1dB steps, Gain range 20dB
IMD3 (two tones)	-26 dBc max. 2 signal 5MHz apart at P-LINEAR
L.O. leakage	-45 dBm max
Spurious	-55 dBc max
Spectral regrowth (QPSK at 1.5x and OQPSK at 1.0x symbol rate offset With 2dB back-off from rated output power)	-30 dBc
Requirement for external reference: frequency input power	via IF cable 10 MHz (sine-wave) -5 to +5 dBm @ input port
TX Gain variation	± 0.5 dB over 40 MHz ± 1.8 dB over full band
TX Gain stability over temperature range	± 1.5 dB typ., ± 1.8 dB max
Phase noise (Exceeds Intelsat's standard IESS308/309)	-55 dBc/Hz max. @ 10 Hz
	-65 dBc/Hz max. @ 100 Hz
	-75 dBc/Hz max. @ 1 KHz
	-85 dBc/Hz max. @ 10 KHz
	-95 dBc/Hz max @ 100 KHz
-115 dBc/Hz max @ 1 MHz	
M&C Interface	RS-232/ RS-485 and Ethernet
FSK	Multiplexed on TX IFL, compatible with Comtech and Paradigm
Noise power density	Transmit Receive -66 dBm/Hz (max) -157 dBm/Hz (max)
Noise figure	15 dB max
Input V.S.W.R.	2 : 1 max
Output V.S.W.R.	2 : 1 max
Mute	Shut off the HPA if L.O. unlocked
Status LED	RED GREEN Power OK, L.O unlocked L.O locked and amplifier functioning normally
Temperature range (ambient) operating storage	-40 deg C to +55 deg C -55 deg C to +85 deg C
Dimensions & housing	240 (L) x 120 (W) x 140 (H) mm 9.45" (L) x 4.72" (W) x 5.5" (H)
Weight	3.5 kg (7.7 lbs) max