



6W Ext. Mini Low Ku-Band Block Up Converter

KEY FEATURES

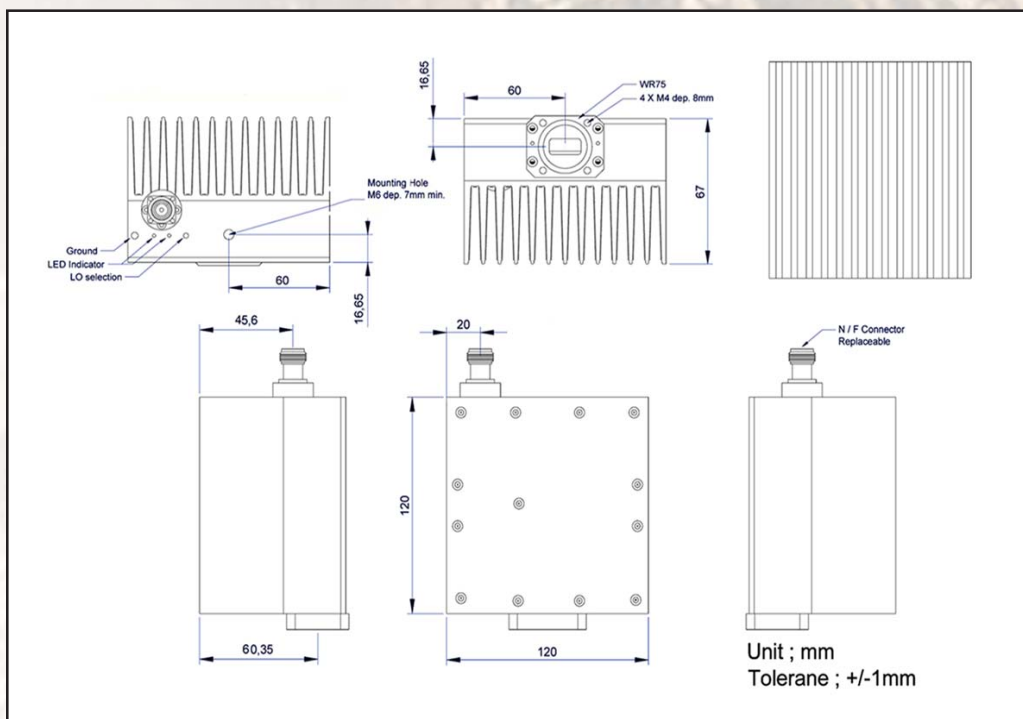
- ◆ Output frequency 12.75-13.50 GHz
- ◆ Based on GaN technology which enables high efficiency, low energy consumption and high reliability
- ◆ Double - L.O. (electronically and manually switchable 11.80 and 12.05 GHz)
- ◆ Incomparable low power consumption (35W max)- can be powered by iDirect or similar modems
- ◆ Extreme P-Out GaN linearity
- ◆ Digital temperature compensation
- ◆ L.O. lock and amplifier LEDs
- ◆ Field-exchangeable (F/N) IF connector
- ◆ M&C - combined RS-232/485, FSK, Ethernet (optional)
- ◆ Internal 10MHz high stability 10^{-8} reference (optional)
- ◆ RoHS compliant
- ◆ Three-year warranty

ABA6KXL / ABA6KXLF



This smallest and lightest 6W L-To Ku-Band Block Up Converter is based on GaN technology. Double L.O. and field- Exchangeable connector make unit universal for any Ku-Band application. M&C (FSK) capability enables troubleshooting, monitoring and controlling the BUC. Incomparable low power consumption allows the BUC to be powered by iDirect and similar modems.

Mechanical Drawing





6W Ext. Mini Low Ku-Band Block Up Converter

TECHNICAL SPECIFICATIONS

RF frequency	12.75 – 13.50 GHz	
Local Oscillator	11.80 GHz and 12.05 GHz	
IF frequency	950 to 1,700 MHz	
Output power	6W (+38 dBm min)	
IF connector	N-type or F-type (field-exchangeable)	
Power supply - auto-ranging	+15~+60 VDC via IF cable, 35 W max	
Internal 10MHz high stability reference	10 ⁻⁸	
Output interface	WR-75 G	
Gain	60 dB typ	
IMD3 (two tones)	-26 dBc max 2 signal 5MHz apart at P-LINEAR	
L.O. leakage	-45 dBm max	
Spurious	-53 dBc max	
Spectral regrowth (QPSK at 1.5x and OQPSK at 1.0x symbol rate offset with 2dB back-off from rated output power)	-30dBc	
TX Gain variation	± 0.5 dB over 40 MHz ± 1.8 dB over full band	
TX Gain stability over temperature range	± 1.5 dB typ., ± 1.8 dB max	
Requirement for external reference frequency input power	via IF cable 10 MHz (sine-wave) -5 to +5 dBm @ input port	
Phase noise (Exceeds Intelsat's standard IESS308/309)	-53 dBc/Hz max. @ 10 Hz -63 dBc/Hz max. @ 100 Hz -73 dBc/Hz max. @ 1 KHz -83 dBc/Hz max. @ 10 KHz -93 dBc/Hz max. @ 100 KHz -113 dBc/Hz max. @ 1 MHz	
Noise power density	Transmit	-60 dBm/Hz (max)
	Receive	-150 dBm/Hz (max)
Noise figure	20 dB max	
Input V.S.W.R.	2 : 1 max	
Output V.S.W.R.	2 : 1 max.	
Mute	Shut off the BUC in case of L.O. unlocked	
M&C	RS-232 and RS-485, Ethernet	
FSK	Multiplexed on TX IFL, compatible with Comtech and Paradigm	
Status LED	RED GREEN YELLOW YELLOW blinking	Summary alarm All OK All OK standard L.O. 12.05 GHz All OK extended L.O. 11.80 GHz
Temperature range (ambient) operating storage	-40 deg C to +55 deg C -55 deg C to +85 deg C	
Vibration and shock	Complies with MIL-STD-810E	
Dimensions & housing	120 (L) x 120 (W) x 67 (H) mm 4.72" (L) x 4.72" (W) x 2.63" (H)	
Weight	1.5 kg (3.3 lbs) max	