



4W Super Mini Ext. Ku-Band BUC

KEY FEATURES

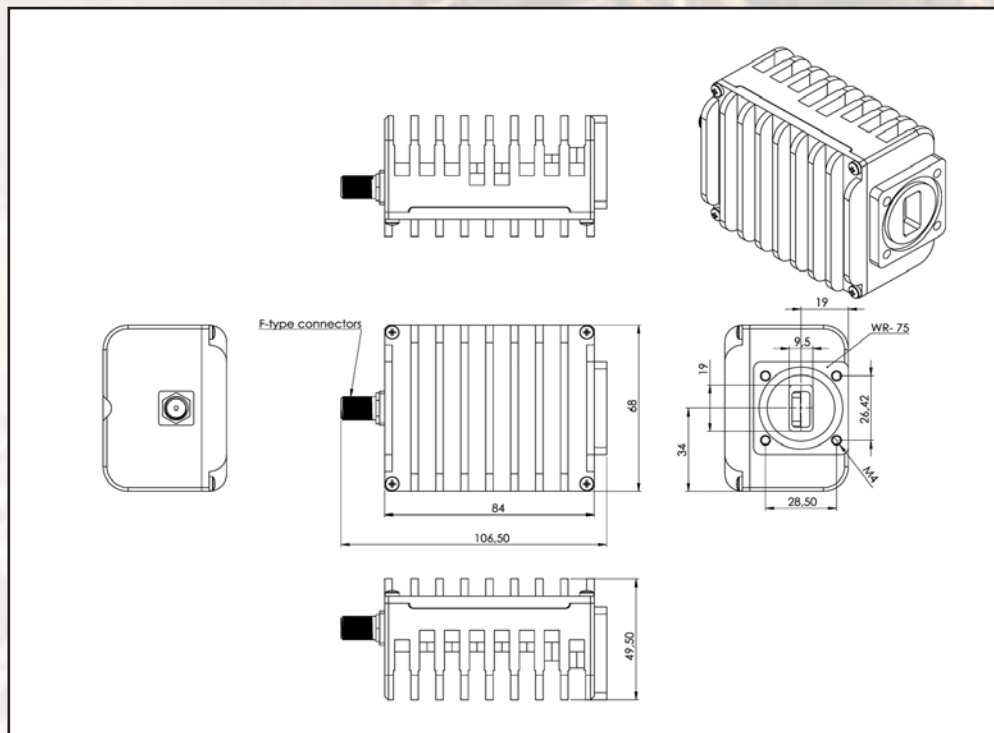
- ◆ Output frequency 13.75-14.50 GHz
- ◆ L.O. 12.80 GHz
- ◆ Smallest package size and weight
- ◆ Powered through IF cable
- ◆ Industry's lowest power consumption (<19W)
- ◆ RoHS compliant
- ◆ Three-year warranty

ABA4SKX / ABA4SKXF



This smallest and lightest 4W L-To Ku-Band Block Up Converter is based on GaN technology and is designed to be mounted directly on the feed horn. High power efficiency resulting in low current (< 1 amps) consumption allows to use this BUC with any modem without an external power supply.

Mechanical Drawing





4W Super Mini Ext. Ku-Band BUC

TECHNICAL SPECIFICATIONS

RF frequency	13.75 to 14.50 GHz	
Local oscillator	12.80 GHz	
IF frequency	950 to 1,700 MHz	
Output power	4W (+36 dBm min.)	
IF connector	N-type or F-type	
Power supply	+15 VDC~+24 VDC via IF cable 19 W max	
Output interface	WR-75 Grooved	
Gain	62 dB nominal	
IMD3 (two tones)	-26 dBc max. 2 signal 5MHz apart at P-LINEAR	
L.O. leakage	-45 dBm max	
Spurious	-50 dBc max	
Spectral regrowth (QPSK at 1.5x and OQPSK at 1.0x symbol rate offset with 2dB back-off from rated output power)	-30 dBc	
TX Gain variation	± 0.5 dB over 40MHz ± 1.8 dB over full band	
TX Gain stability over temperature range	± 1.5 dB typ., ± 1.8 dB max.	
Requirement for external reference	via IF cable	
frequency	10 MHz (sine-wave)	
input power	-5 to +5 dBm @ input port	
Phase noise – Exceeds and Intelsat's standard IESS308/309 and NJRC's specification	-53 dBc/Hz max. @ 10 Hz	
	-63 dBc/Hz max. @ 100 Hz	
	-73 dBc/Hz max. @ 1 KHz	
	-83 dBc/Hz max. @ 10 KHz	
	-93 dBc/Hz max. @ 100 KHz	
Noise power density	Transmit	-60 dBm/Hz (max.)
	Receive	-155 dBm/Hz (max.)
Noise figure	20 dB max	
Input V.S.W.R.	2 : 1 max	
Output V.S.W.R.	2 : 1 max.	
Mute	Shut off the BUC in case of L.O. unlocked	
Input interface	ABA4SKX ABA4SKXF	50 Ohm (N-type IF in) 75 Ohm (F-type IF in)
Temperature range (ambient)		
operating	-40 deg C to +55 deg C	
storage	-55 deg C to +85 deg C	
Vibration & shock	Complies with MIL-STD-810E	
Dimensions & housing	84 (L) x 68 (W) x 49.5 (H) mm 3.36" (L) x 2.7" (W) x 1.98" (H)	
Weight	0.340 kg (0.75 lbs) max	