

# 7707ET-4

## Quad Ethernet Fiber Transceiver



The 7707ET-4 is a VistaLINK® -capable Quad Ethernet Fiber Transceiver that transmits up to four separate 10/100BaseT Ethernet channels over optical fiber. Monitoring of card status and parameters is provided locally at the card edge and remotely via VistaLINK®. A pair of 7707ET-4 transceivers permit full duplex communication of all four channels over a single or dual optical fiber(s).

The 7707ET-4 provides four RJ45 input connectors and either one or two fiber optic output connectors.

The 7707ET-4 occupies one or two card slots can be housed in a 1RU frame that will hold up to three modules, a 3RU frame that will hold up to 15 modules, a 350FR portable frame that will hold up to seven modules or a standalone enclosure, which holds one module.

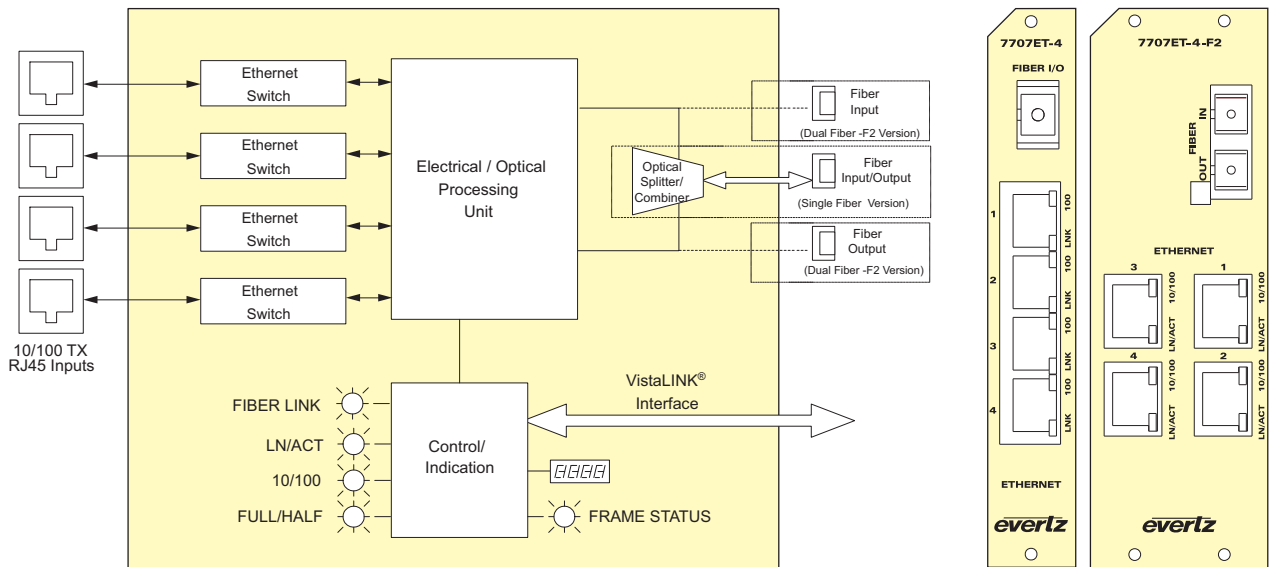
### Features & Benefits

- Four completely independent and isolated Ethernet streams
- Auto negotiation for 10/100 speeds on all ports
- Built-in Ethernet switches for isolation of each transmission end
- Comprehensive signal and card status monitoring via four digit card edge display or remotely through SNMP and VistaLINK®
- VistaLINK® capability is available when modules are used with the 3RU 7800FR or 350FR frame and a 7700FC VistaLINK® Frame Controller module in slot 1 of the frame
- Optical output wavelengths at 1310nm, 1550nm and up to sixteen CWDM wavelengths (ITU-T G.694.2 compliant)
- DWDM wavelengths (ITU-T G.694.1 compliant) also available

- Fully hot-swappable from front of frame
- SC/PC, ST/PC, FC/PC Connector options

### Status Indication

- Frame status
- 10/100 Speed indication on copper ports
- Full Duplex/Collision indication on copper ports
- Link activity on copper ports
- Received optical power level



### Specifications

<b>Ethernet Input/Output:</b> Standard: IEEE 802.3 10BASE-T 802.3u 100BASE-TX Connectors: 4 RJ45 ports Cable Requirements: 10Base-T: UTP category 3, 4, or 5 cable up to 328ft/100m 100Base-T: UTP category 5 cable up to 328ft/100m		<b>Maximum Input Power:</b> Standard: -1dBm F2-H Versions: -8dBm <b>Input Optical Sensitivity:</b> WDM (-w version) -22dBm Standard: -23dBm High Sensitivity (-H): -28dBm <b>Wavelengths:</b> Standard: 1310nm, 1550nm CWDM: 1270nm - 1610nm DWDM: C-Band (ITU-T G.694.1 compliant)		<b>Electrical:</b> Voltage: +12V DC Power: Non-DWDM: 12W DWDM: 14W	
<b>Optical Input/Output:</b> Connector: Single Fiber Version: 1 Female SC/PC, ST/PC, FC/PC Dual Fiber Version: 2 Female SC/PC, ST/PC, FC/PC Input Wavelengths: 1270nm to 1610nm Rise & Fall Time: 200ps nominal Wide Band Jitter: < 0.2 UI		<b>Output Power:</b> 1310nm FP: -7dBm ±1dBm 1310nm (-W): -1dBm ±1dBm 1550nm, CDWM (DFB): 0dBm ± 1dBm DWDM (DFB): +7dBm ± 1dBm		<b>Physical (number of slots):</b> 350FR, 7700FR-C, 7800FR: Single Fiber: 1 Dual Fiber: 2	
		<b>Compliance:</b> Laser Safety: Class 1 laser product Complies with 24 CFR 1040.10 and 1040.11 IEC 60825-1 Complies with FCC Part 15, Class A EU EMC Directive		<b>EMI/RFI:</b>	





### Ordering Information

<b>7707ET13M-4-W</b>	Quad Ethernet Fiber Transceiver, single fiber, WDM, 1310nm FP TX, RX on 1550nm
<b>7707ET15-4-W</b>	Quad Ethernet Fiber Transceiver, single fiber, WDM, 1550nm DFB TX, RX on 1310nm
<b>7707ET13-4-F2</b>	Quad Ethernet Fiber Transceiver, dual fiber, 1310nm FP TX & RX

*For CWDM, please refer to the end of the fiber section for ordering information*

<b>7707ETxx-4-F2</b>	Quad Ethernet Fiber Transceiver, dual fiber, CWDM TX
<b>7707ETxx-4-F2-H</b>	Quad Ethernet Fiber Transceiver, dual fiber, CWDM TX, High Sensitivity RX

*For DWDM, please refer to the end of the fiber section for ordering information*

<b>7707ETDxxx-4-HD-F2</b>	Quad Ethernet Fiber Transceiver, dual fiber, DWDM TX
<b>7707ETDxxx-4-HD-F2-H</b>	Quad Ethernet Fiber Transceiver, dual fiber, DWDM TX, High Sensitivity RX

**Ordering Options** Rear Plate and Fiber Connector must be specified at time of order (Eg. Model +3RU +SC)

<b>Rear Plate Suffix</b>	
<b>+3RU</b>	3RU Rear Plate for use with 350FR, 7700FR-C or 7800FR Multiframe
<b>+1RU</b>	1RU Rear Plate for use with 7701FR Multiframe
<b>+SA</b>	Standalone Enclosure Rear Plate

<b>Connector Suffix</b>	
<b>+SC</b>	SC/PC
<b>+ST</b>	ST/PC
<b>+FC</b>	FC/PC
<b>+AP+SC</b>	SC/APC (Angle Polished)
<b>+AP+FC</b>	FC/APC (Angle Polished)

<b>Enclosures</b>	
<b>350FR</b>	3RU Portable Multiframe which holds up to 7 single slot modules
<b>7700FR-C</b>	3RU Multiframe which holds up to 15 single slot modules
<b>7800FR</b>	3RU Multiframe which holds up to 15 single slot modules
<b>7801FR</b>	1RU Multiframe which holds up to 4 single or 2 dual slot modules
<b>7701FR</b>	1RU Multiframe which holds up to 3 single or dual slot modules
<b>S7701FR</b>	Standalone Enclosure