

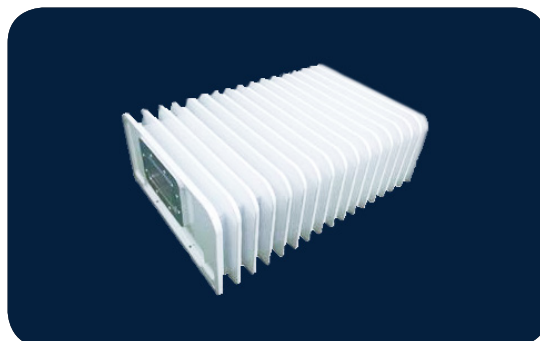


BUC

X-BAND 10W

5010XRT-3

GaN Power Amplifier



TYPICAL SPECIFICATIONS

Output frequency	7.9 to 8.4 GHz	Gain	62 dB typ
Input frequency	950 to 1450 MHz	Gain stability over temperature	Δ2.5 dB at any constant frequency
Output to P1dB	40 dBm min.	Gain flatness	±0.5 dB in any 36 MHz ±2.0 dB over full band
L.O. frequency	6.95 GHz	Mute	@ LO unlock or temp over 85°C
Input VSWR	2.0 : 1 max	Operating temperature	-40°C to 55°C
Output VSWR	1.5 : 1 max	Power requirements	+21 to +27 V supplied through MS connector or IF connector
Phase noise (SSB) maximum	-73 dBc/Hz at 1 kHz -83 dBc/Hz at 10 kHz -93 dBc/Hz at 100 kHz	Power consumption	85W max
External reference signal frequency	10 MHz	Input interface	N-female, F-female
External reference level	-5 to +5 dBm	Output interface	CPR-112G
External reference phase noise	-130 dBc/Hz max at 100Hz -143 dBc/Hz max at 1 kHz -152 dBc/Hz at 10 kHz	Dimensions	224 (L) x 150 (W) x 83 (H) mm
		Weight	3.5 kg
		M & C interface	Ethernet or RS232 through MS3112e14-12P connector - Output power - Temperature - LO status - Output power mute

HOW TO ORDER

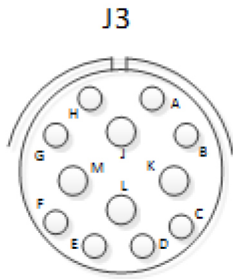
5010XRTN-3-A

OPTION	A - DC via IFL, fixed gain, no M&C B - DC via IFL, fixed gain, M&C C - DC via IFL, gain adjustable (Δ15dB, 1dB step), M&C D - DC via MS connector, fixed gain, M&C E - DC via MS connector, gain adjustable (Δ15dB, 1dB step), M&C
CONNECTOR	N - 50 Ohm F - 75 Ohm
P1dB	10W (40dBm)
TRANSMITTER SERIES #	

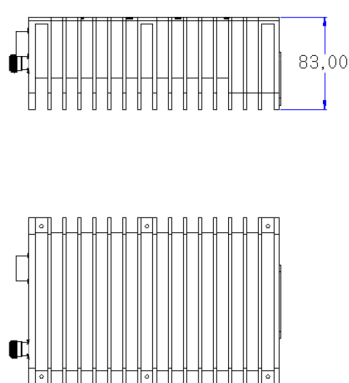
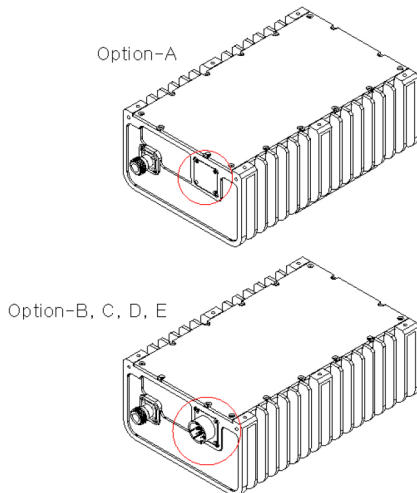
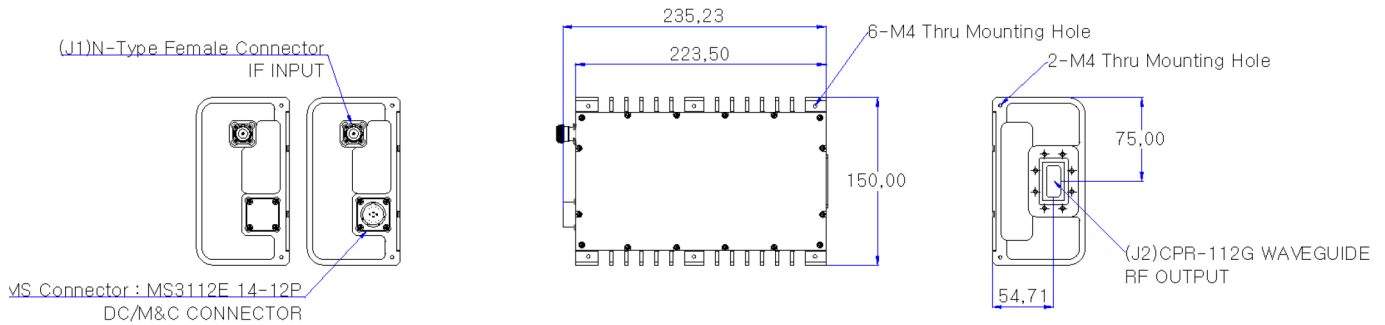


X-BAND 10W 5010XRT-3

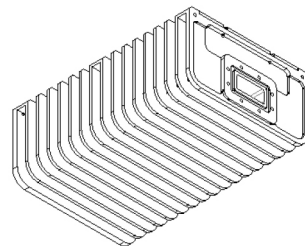
MECHANICAL DIAGRAM



Connector	Parameter	Description
J1	IF input connector	N-female, panel-mounted
	Impedance	50 ohm
	10MHz reference input	
	DC	+21 to +27VDC
J2	RF output connector	CPR-112G waveguide flange
J3 (Opt)	DC / M&C(Ethernet or RS232)	Panel-mount (MS3112E14-12P)
	J3-A	Ethernet Tx+
	J3-B	Ethernet Tx-
	J3-C	Ethernet Rx+
	J3-D	Ethernet Rx-
	J3-E	
	J3-F	RS-232 GND
	J3-G	RS-232 TxD
	J3-H	RS-232 RxD
	J3-J	DC Power (+21 to +27V)
	J3-K	DC Power Return
	J3-L	Mute @High
	J3-M	Mute Return (=RS-232 GND)



unit : mm



Norsat
International Inc.

<http://www.SatelliteDish.com> 954-941-8883