

SPECIFICATIONS

FREQUENCY BAND : 24.70 - 25.30 GHz

INSERTION LOSS : 0.30 dB MAX

VSWR : 1.20:1 MAX

ISOLATION : 60 dB MIN @ 21.4 - 22.0 GHz

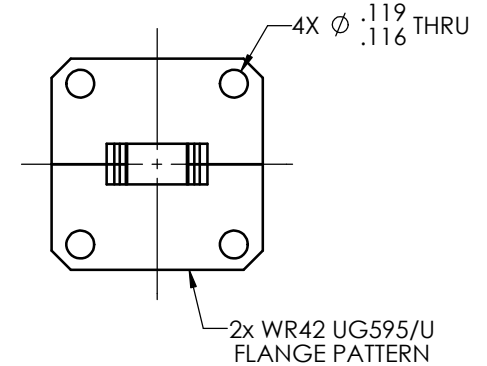
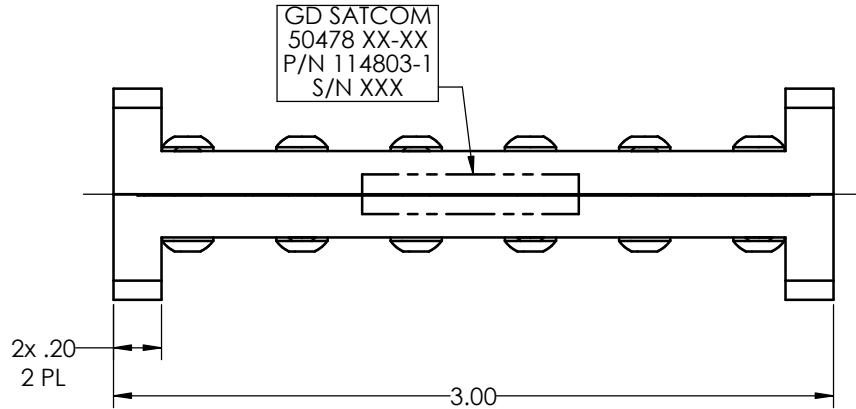
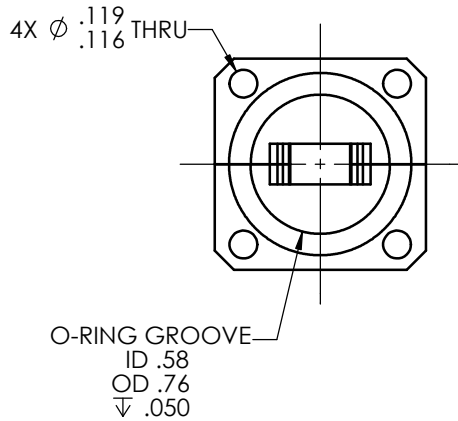
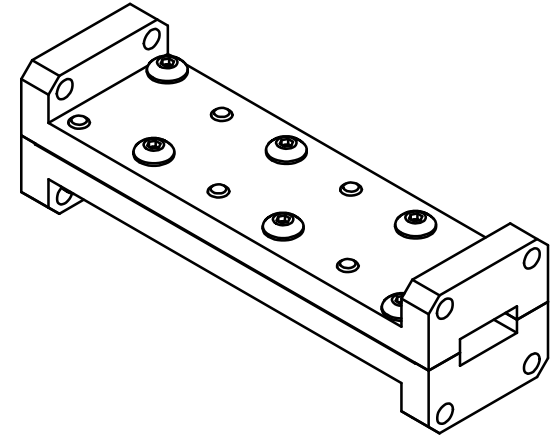
PRESSURIZATION : SEALED TO 5.0 PSIG

FINISH

FLANGE FACES : ZINC-NICKEL PLATED PER AMS 2417G, TYPE II, CLASS 2
 EXTERIOR : WHITE PAINT, COLOR N_o 17875 PER FED-STD-595

REVISIONS

REV	DESCRIPTION	EFFECTIVE DATE	APPROVED
-	INITIAL REL EASE		



UNLESS OTHERWISE SPECIFIED INTERPRET DIMENSIONING & TOLERANCING PER ANSI Y14.5M-1992. DIMENSIONS ARE IN INCHES. DIMENSIONS SHOWN IN () ARE FOR REFERENCE ONLY. TOLERANCES ARE: SURFACE- TOLERANCES- 32 ✓ .XX ±.01 .XXX ±.002 .XXXX ±.0010 ANGLES ±0°30'	APPROVALS	DATE	GENERAL DYNAMICS PROPRIETARY GENERAL DYNAMICS SATCOM Technologies 3111 Fujita Street, Torrance CA 90505, (310) 539-6704 K-BAND WR42 FILTER, HIGH-PASS		
	DRAWN: H. Lim	08-26-13			
	CHECKED: J. Wrigley	08-26-13	SIZE C	FSCM N _o 50478	DWG N _o 114803-1
	RF-ENG:		SCALE: 5:2		REV -
MATERIAL:	EAR CONTROLLED: Export or re-export subject to 15 CFR 700 - 799		SHEET 1		

NOTES: UNLESS OTHERWISE SPECIFIED.