

SPECIFICATIONS

FREQUENCY BAND : 3.400 - 4.200 GHz
: 4.500 - 4.800 GHz

INSERTION LOSS : 0.10 dB MAX

RETURN LOSS : 22 dB MIN

ISOLATION : 25 dB MIN @4.25 - 4.45 GHz

PRESSURIZATION : SEALED TO 1.0 PSIG

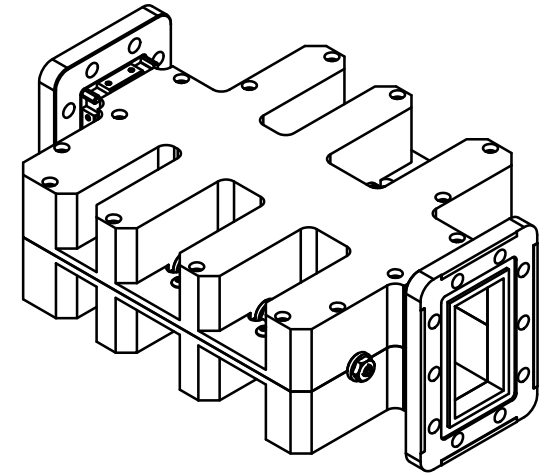
FINISH

FLANGE FACES : ZINC-NICKEL PLATED PER AMS 2417G,
TYPE II, CLASS 2

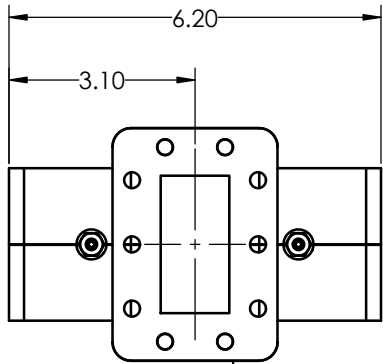
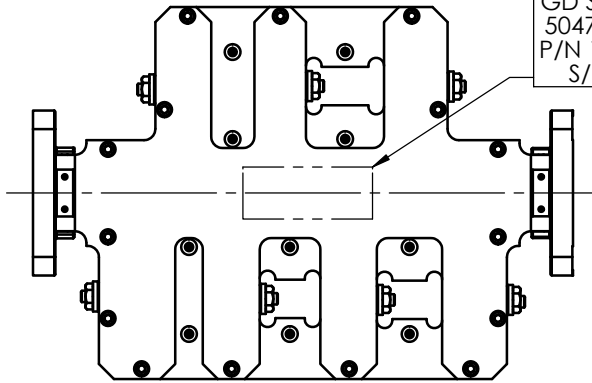
EXTERIOR : WHITE PAINT, COLOR N_o 17875 PER
FED-STD-595

REVISIONS

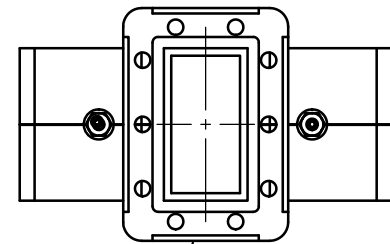
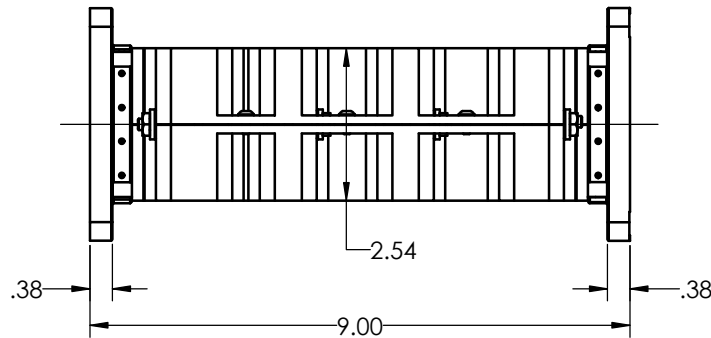
| REV | DESCRIPTION | EFFECTIVE DATE | APPROVED |
|-----|------------------|----------------|----------|
| - | INITIAL REL EASE | - | - |



GD SATCOM
50478 XX-XX
P/N 114703-1
S/N XXX



WR229/CPR229F
FLANGE
INTERFACE



WR229/CPR229G
FLANGE
INTERFACE

UNLESS OTHERWISE SPECIFIED

INTERPRET DIMENSIONING &
TOLERANCING PER ANSI
Y14.5M-1992. DIMENSIONS ARE
IN INCHES. DIMENSIONS SHOWN
IN () ARE FOR REFERENCE
ONLY. TOLERANCES ARE:
SURFACE- TOLERANCES-
32 ✓ .XX ±.02
.XXX ±.004
.XXXX ±.001
ANGLES ±0°30'

MATERIAL:

APPROVALS DATE

DRAWN: H. Lim 04-05-13

CHECKED:

RF-ENG:

MFG-ENG:

ENG-MGR:

EAR CONTROLLED:

Export or re-export
subject to 15 CFR
700 - 799

GENERAL DYNAMICS PROPRIETARY

**GENERAL DYNAMICS
SATCOM Technologies**

3111 Fujita Street, Torrance CA 90505, (310) 539-6704

C-BAND FILTER

| | | | |
|------------|------------------------------|--------------------------------|----------|
| SIZE C | FSCM N _o 50478 | DWG N _o 114703-1 | REV - |
| SCALE: 5:8 | | SHEET 1 | |

NOTES: UNLESS OTHERWISE SPECIFIED.