

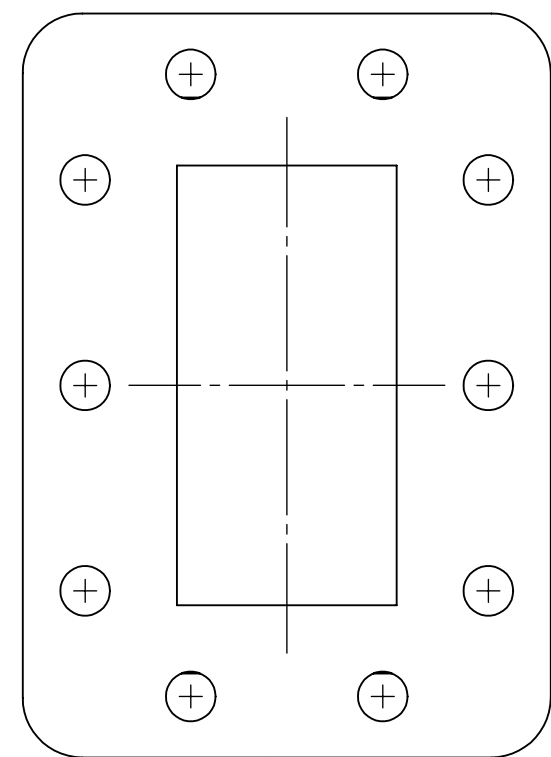
SPECIFICATIONS

**REQUENCY BAND** : 3.500 - 4.400 GHz  
**INSERTION LOSS** : 0.10 dB MAX  
**RETURN LOSS** : 22.0 dB MIN  
**ISOLATION** : 60 dB MIN AT 5.70 - 6.70 GHz  
**GROUP DELAY VARIATION** : 10.0 nsec MAX

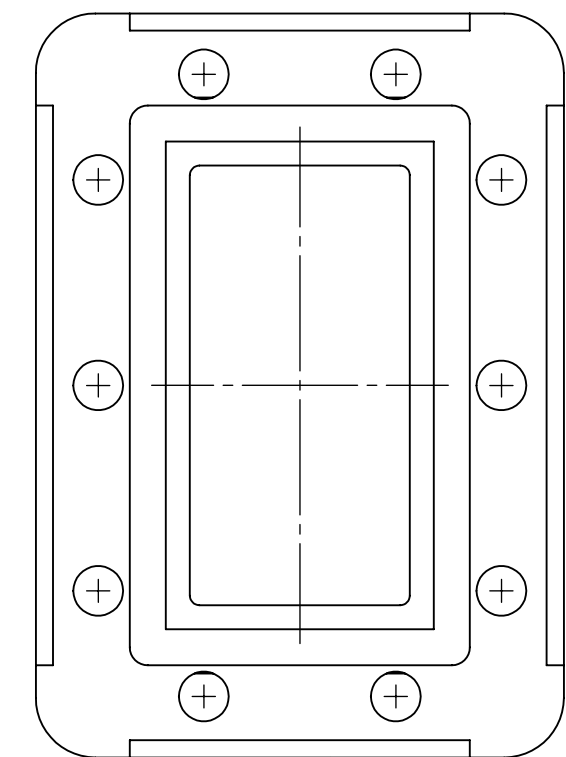
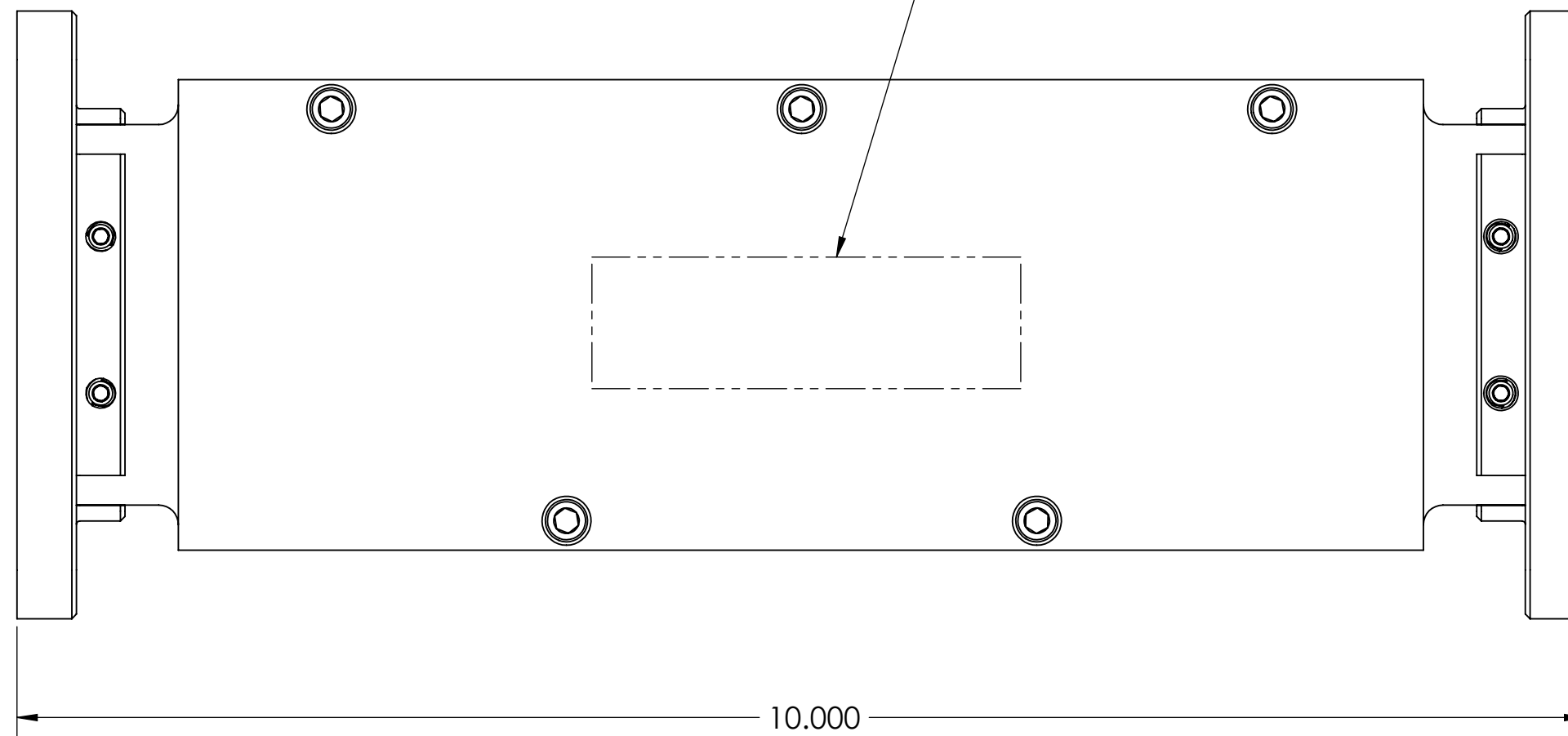
**PRESSURIZATION** : SEALED TO 5 PSIG  
**FINISH**  
 FLANGE FACES : ZINC-NICKEL PLATED PER AMS-2417G, TYPE II, CLASS 2  
 EXTERIOR : WHITE PAINT, COLOR No 17875 PER FED-STD-595

REVISIONS

REV.	DESCRIPTION	DATE	APPROVED
A	SEE DR #12162		



WR229  
CPR229F  
FLANGE  
PATTERN



WR229  
CPR229G  
FLANGE  
PATTERN

NOTES: UNLESS OTHERWISE SPECIFIED.

UNLESS OTHERWISE SPECIFIED INTERPRET DIMENSIONING & TOLERANCING PER ANSI Y14.5M-1982. DIMENSIONS ARE IN INCHES. DIMENSIONS SHOWN IN ( ) ARE FOR REFERENCE ONLY. TOLERANCES ARE: SURFACE- TOLERANCES- .XX ±.01 .XXX ±.002 .XXXX ±.0010 ANGLES ±0°30' 32 ✓ MATERIAL:	APPROVALS	DATE	GENERAL DYNAMICS PROPRIETARY <b>GENERAL DYNAMICS SATCOM Technologies</b> 3111 Fujita Street, Torrance CA 90505, (310) 539-6704 <b>C-BAND Tx REJECT FILTER</b>			
	DRAWN: A. BACA	02NOV12				
	CHECKED:					
	ENGR:					
	<b>EAR CONTROLLED:</b> Export or re-export subject to 15 CFR 700 - 799		SIZE	FSCM No.	DWG No.	REV
	C	50478	114195-10	A		
	SCALE: 1:1		SHEET	1		