

SPECIFICATIONS

FREQUENCY BAND : 13.75 - 14.50 GHz

INSERTION LOSS : 0.25 dB MAX

RETURN LOSS : 21.0 dB MIN

REJECION : 50 dB MIN @ 16 GHz
: 70 dB MIN @ 17 - 30 GHz

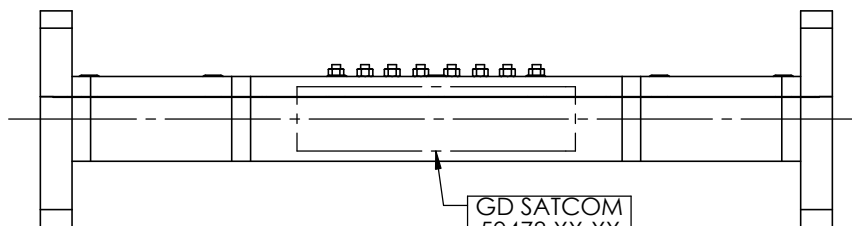
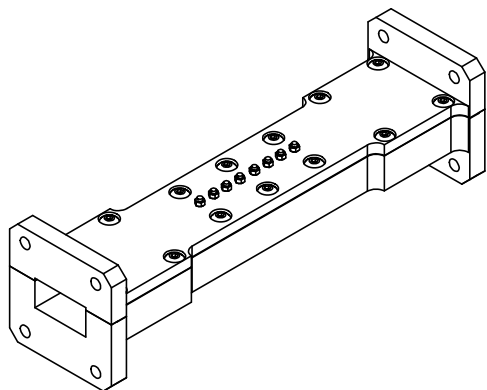
PRESSURIZATION : SEALED TO 5.0 PSIG

FINISH

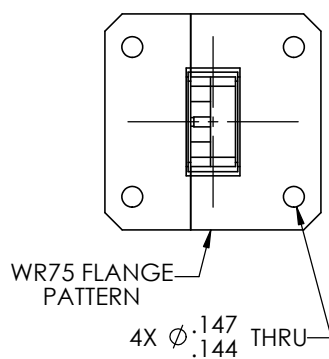
FLANGE FACES : ZINC-NICKEL PLATED
(PER AMS 2417G, TYPE II, CLASS 2) C
EXTERIOR : WHITE PAINT, COLOR № 17875
PER FED-STD-595

REVISIONS

ZONE	REV.	DESCRIPTION	DATE	APPROVED
	A	SEE ECN № 3367, EF VERSION	2011-02-21	H.Spieleeder
	B	SEE EC № 13118, EF VERSION	2014-6-27	A. Jafari
C	C	SEE CN № 13456, SPLIT BLOCK	2015-07-23	J. Mitchell



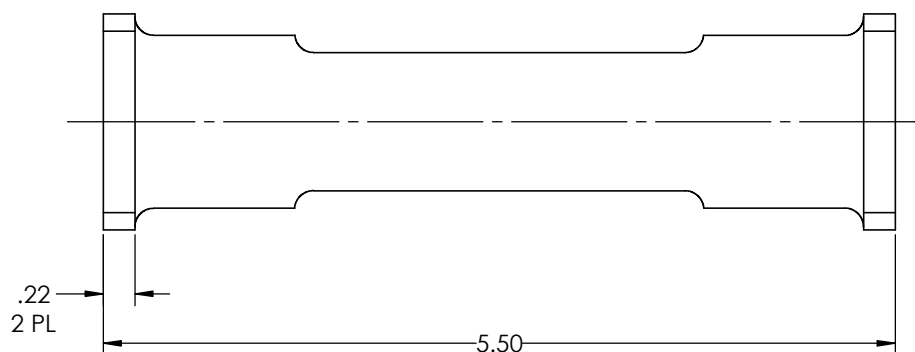
GD SATCOM
50478 XX-XX
P/N 114080-1
S/N XXX



WR75 FLANGE
PATTERN

4X ϕ .147 THRU
.144

BOTH ENDS



NOTES: UNLESS OTHERWISE SPECIFIED.

DO NOT SCALE DRAWINGS		APPROVALS	DATE	GENERAL DYNAMICS PROPRIETARY	
<small>UNLESS OTHERWISE SPECIFIED, INTERPRET DIMENSIONING & TOLERANCING PER ANSI/ASME Y14.5M-2009. DIMENSIONS ARE IN INCHES. DIMENSIONS SHOWN IN [] ARE FOR REFERENCE ONLY.</small> TOLERANCES: TWO PLACE DECIMAL $\pm .01$ THREE PLACE DECIMAL $\pm .002$ FOUR PLACE DECIMAL $\pm .0010$ OR BETTER ANGLES $\pm 0^{\circ}30'$		DRAWN: H. Lim	11-03-2007	GENERAL DYNAMICS SATCOM Technologies 3111 Fujita Street, Torrance CA 90505, (310) 539-6704	
		CHECKED: R.E. Terry	11-06-2007		
		RF DESIGN: R. Jaranilla	07-23-2015		
		APPROVED: see CN	see CN		
THIRD ANGLE PROJECTION		EAR CONTROLLED:	MATERIAL	SIZE	CAGE CODE
Export or re-export subject to 15 CFR 700 - 799				C	50478
				SCALE: 3:2	DWG № 114080-1
				WEIGHT: 0.304 LB	REV C