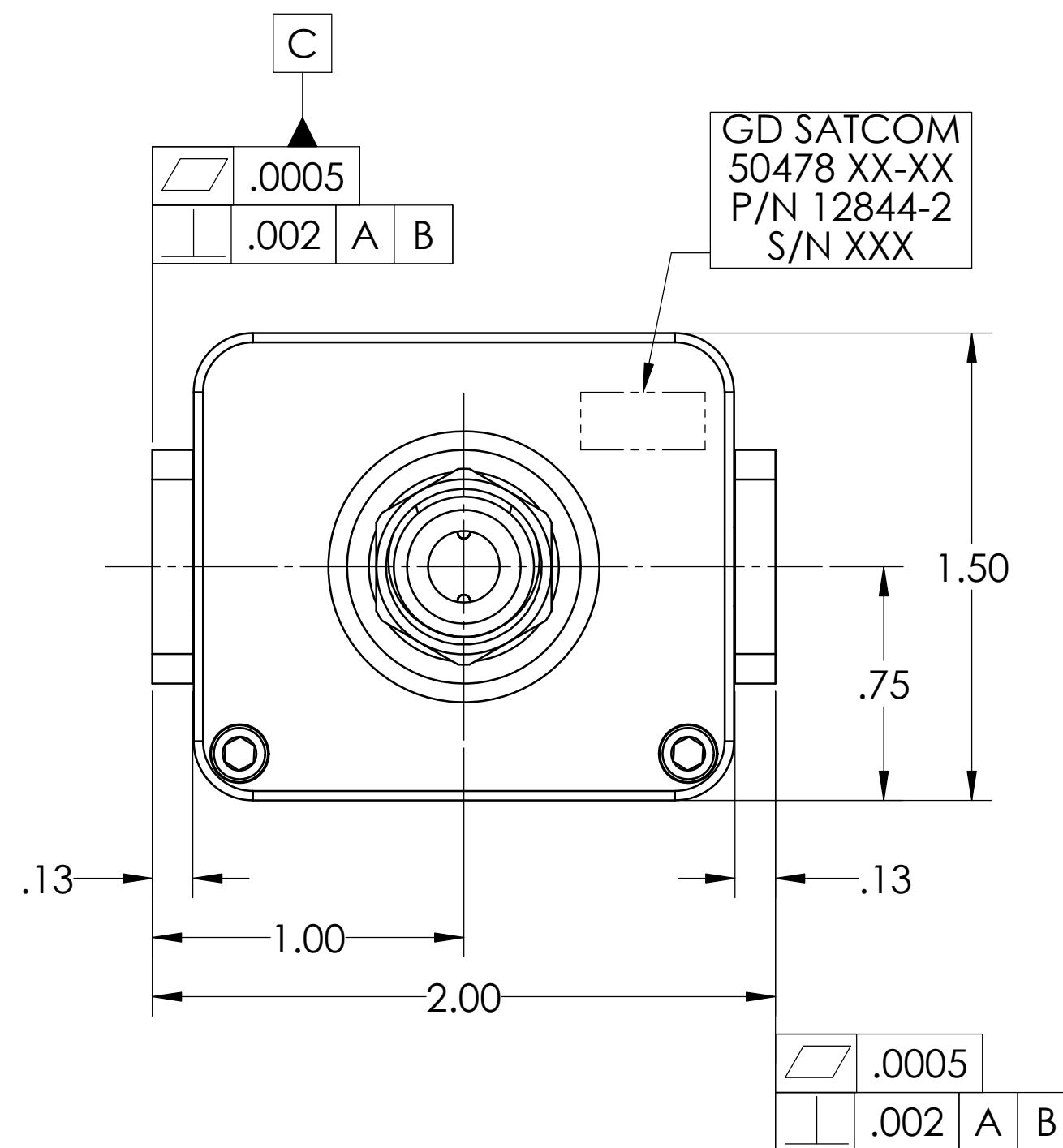
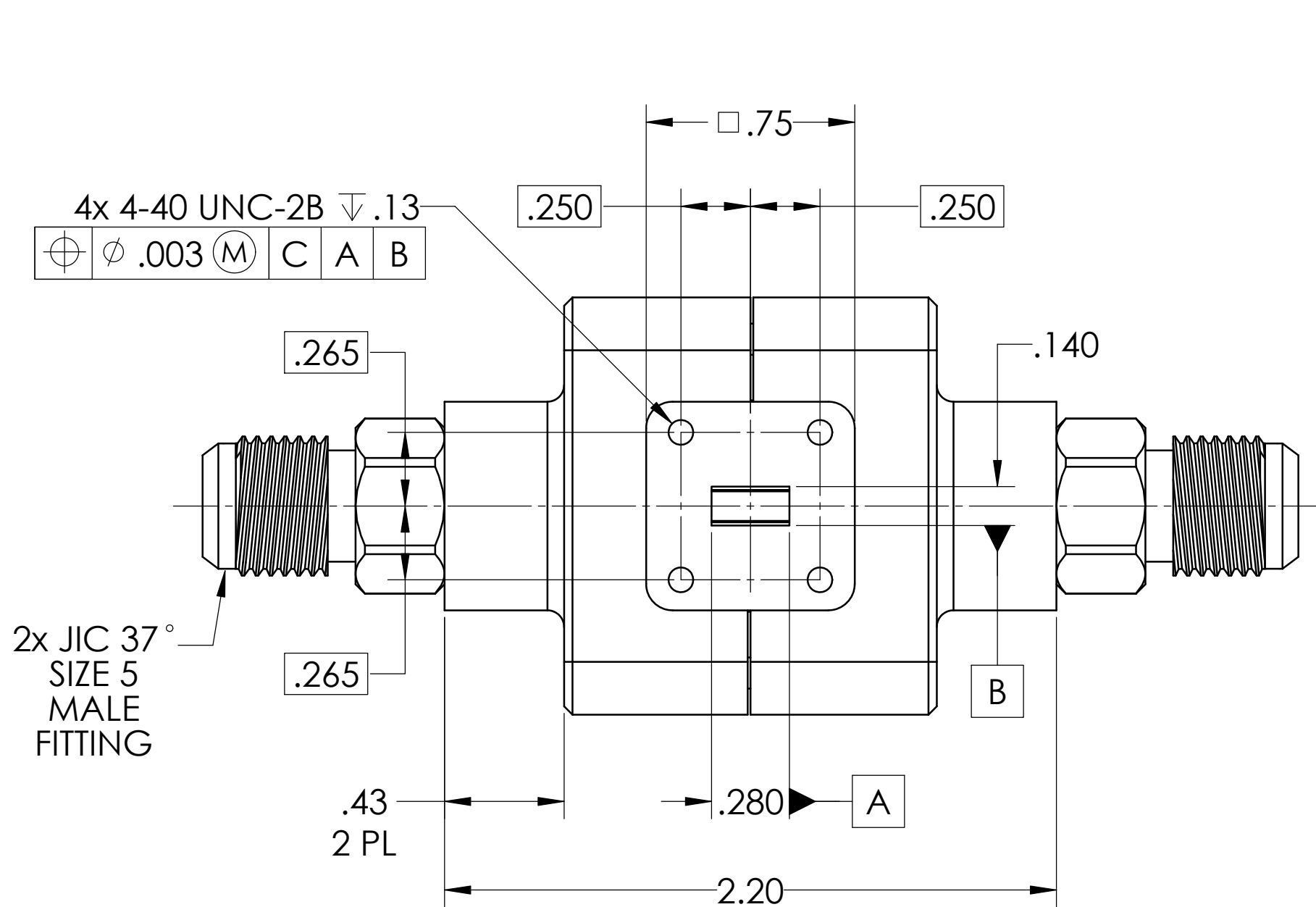
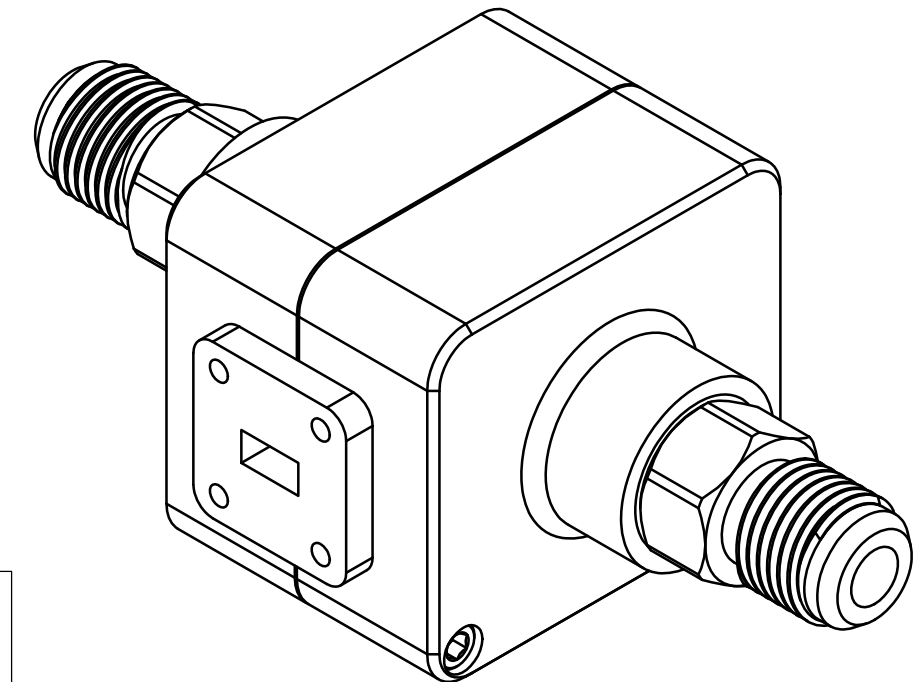


SPECIFICATIONS

FREQUENCY BAND : 34.20 - 34.70GHz
INSERTION LOSS : 0.35 dB MAX
VSWR : 1.15:1 MAX
 (1.10:1 DESIGN GOAL)
REJECTION : 80 dB MIN @ 31.80 - 32.30 GHz
GROUP DELAY VAR : $\leq \pm 3$ ns ACROSS PASSBAND
POWER HANDLING : 1.200 W CW (WATER COOLED)
WATER FLOW RATE : 2 L/MIN

PRESSURIZATION : SEALED TO 5 PSIG
FINISH
FLANGE FACES : COPPER ALLOY
EXTERIOR : BLACK PAINT, COLOR N_o 37038 PER FED-STD-595

REVISIONS			
REV	DESCRIPTION	EFFECTIVE DATE	APPROVED
-	INITIAL REL RELEASE	-	-
A	SEE EC 12690		



**FLANGE INTERFACE
TYPICAL BOTH ENDS**

1. ALL EDGES AND CORNERS OF WAVEGUIDE OPENING MUST BE SHARP
 NOTES: UNLESS OTHERWISE SPECIFIED.

UNLESS OTHERWISE SPECIFIED INTERPRET DIMENSIONING & TOLERANCING PER ANSI Y14.5M-1982. DIMENSIONS ARE IN INCHES. DIMENSIONS SHOWN IN () ARE FOR REFERENCE ONLY. TOLERANCES ARE: SURFACE- TOLERANCES- 32 ✓ .XX ±.01 .XXX ±.002 .XXXX ±.0010 ANGLES ±0°30'	APPROVALS	DATE	GENERAL DYNAMICS PROPRIETARY			
	DRAWN: L. Tovalin	11-22-02	GENERAL DYNAMICS SATCOM Technologies			
	CHECKED: -	-	3111 Fujita Street, Torrance CA 90505, (310) 539-6704			
	RF-ENG:		Ka-BAND FILTER, TRANSMIT PATH			
MFG-ENG:			SIZE C	FSCM No 50478	DWG No 112844-2	REV A
ENG-MGR:			SCALE: 2:1		SHEET 1	
MATERIAL:	EAR CONTROLLED: Export or re-export subject to 15 CFR 700 - 799					