

SPECIFICATIONS

FREQUENCY BAND Rx: 7.25 - 7.75 GHz
Tx: 7.90 - 8.40 GHz

INSERTION LOSS : 0.10 dB MAX

VSWR : 1.2:1 MAX

ISOLATION : 18 dB MIN

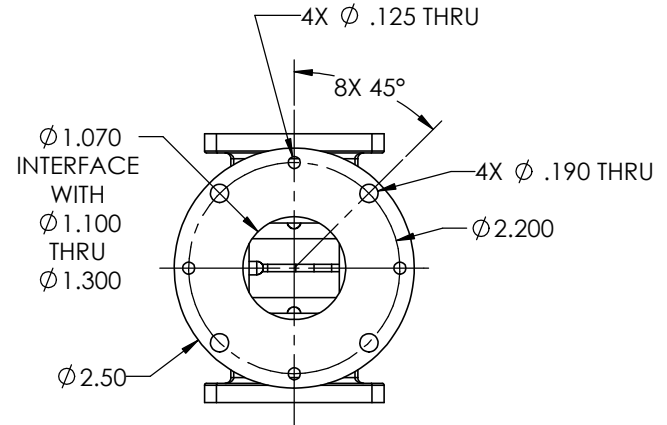
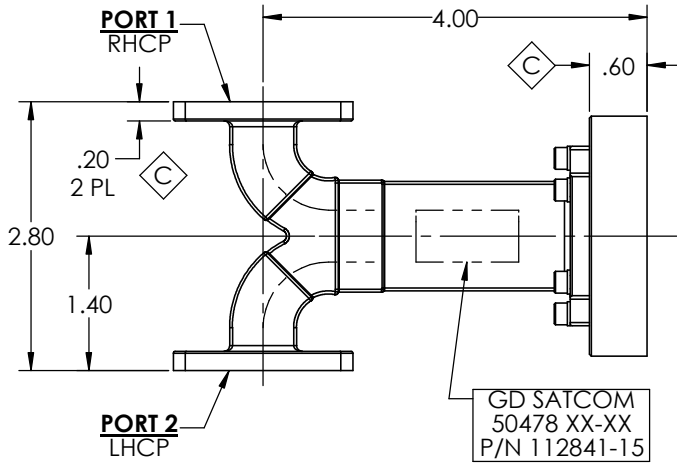
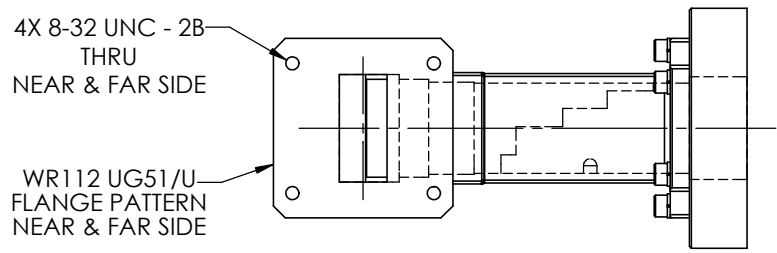
AXIAL RATIO : 0.50 dB MAX
(INTO MATCHED LOAD)

POWER HANDLING : 1.0 kW CW

PRESSURIZATION : SEALED TO 5.0 PSIG

FINISH INTERIOR
& FLANGE FACES : CHROMATE CONVERSION COATED
(PER MIL-DTL-5541F, TYPE II, CLASS 1A) C

REVISIONS				
ZONE	REV.	DESCRIPTION	DATE	APPROVED
	B	SEE ECN № 2587	1/12/2010	J.K.
C	C	SEE CN № 13256	2015/01/05	J. Mitchell



NOTES: UNLESS OTHERWISE SPECIFIED.

DO NOT SCALE DRAWINGS		APPROVALS	DATE	GENERAL DYNAMICS PROPRIETARY	
UNLESS OTHERWISE SPECIFIED, INTERPRET DIMENSIONING & TOLERANCING PER ANSI/ASME Y14.5M-2009. DIMENSIONS ARE IN INCHES. DIMENSIONS SHOWN IN [] ARE FOR REFERENCE ONLY.		DRAWN: A. Ross	01-14-04	GENERAL DYNAMICS SATCOM Technologies 3111 Fujita Street, Torrance CA 90505, (310) 539-6704	
TOLERANCES: TWO PLACE DECIMAL ± .02 THREE PLACE DECIMAL ± .004 FOUR PLACE DECIMAL ± .0005 ANGLES ± 0°30'		CHECKED: H.Spieleeder	01-14-04		
THIRD ANGLE PROJECTION		ENG MGR: J. Kerpan	01-12-10	TITLE: SEPTUM OMT, X-BAND WR112	
EAR CONTROLLED: Export or re-export subject to 15 CFR 700 - 799		MATERIAL		SIZE: C	CAGE CODE: 50478
C				DWG No: 112841-15	REV: C
				SCALE: 1:1	WEIGHT: 0.5785 LB SHEET 1 of 2