

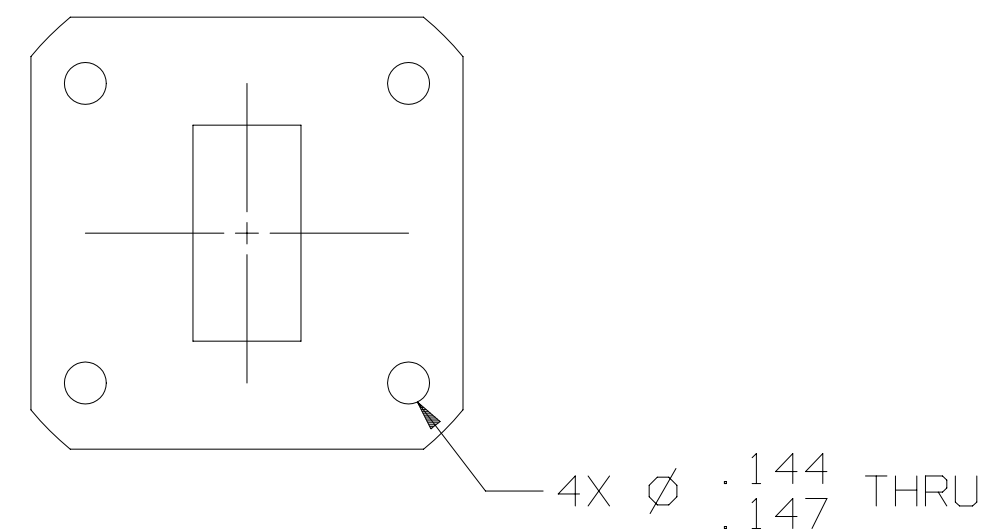
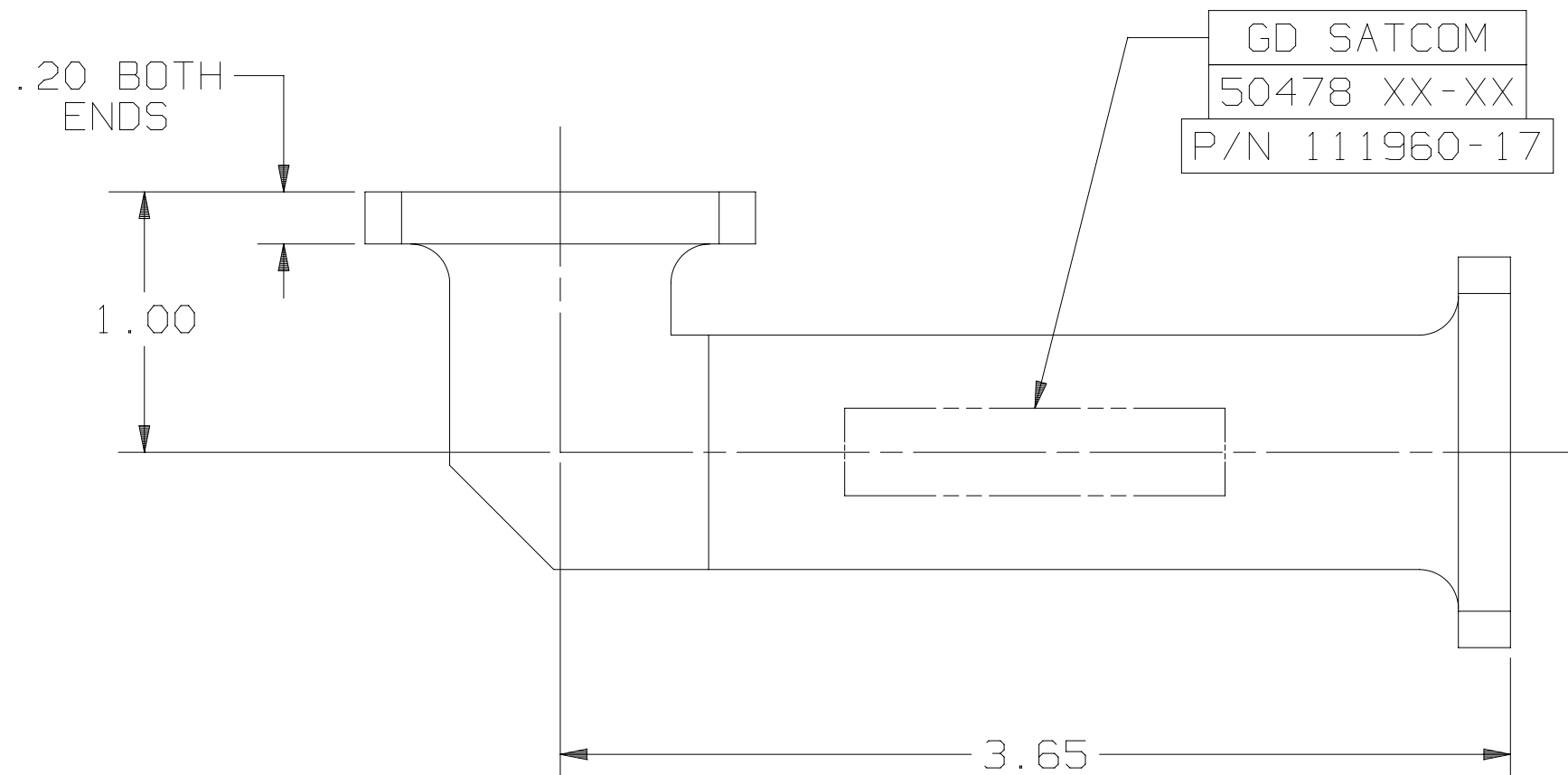
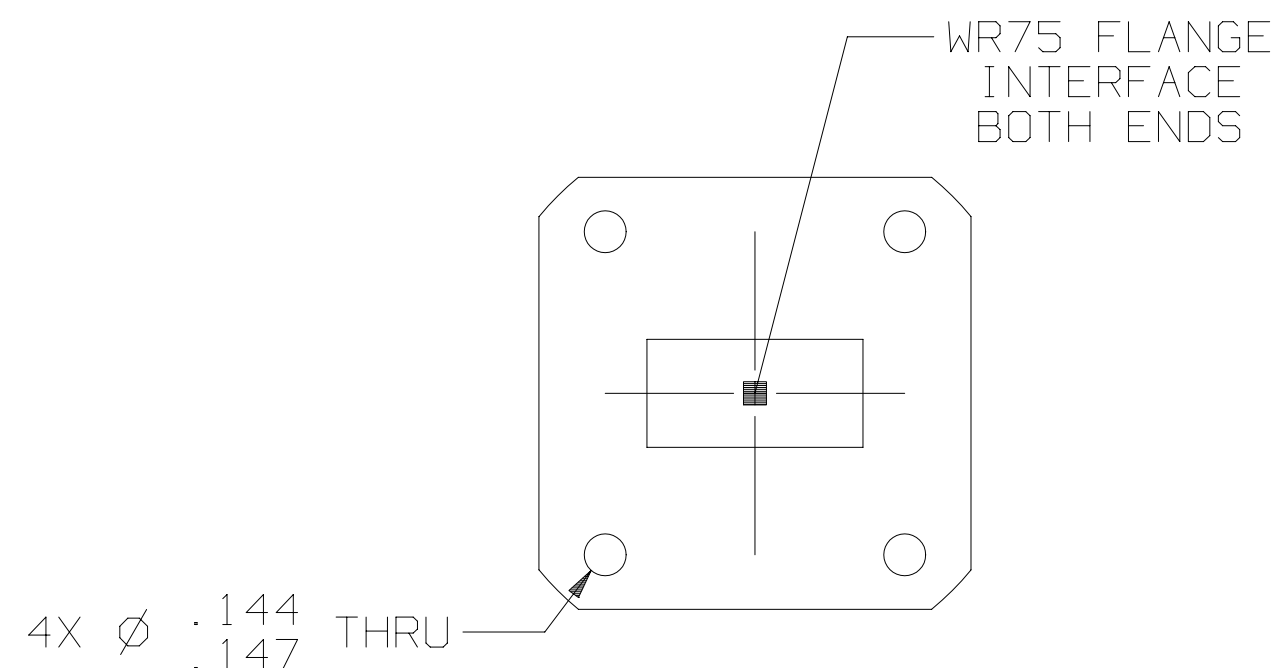
SPECIFICATIONS

PASSBAND : 10.70 - 12.75 GHz
PASSBAND LOSS : 0.20 dB TYPICAL
 : 0.30 dB MAX @ 12.75 GHz
PASSBAND VSWR : 1.20:1 MAX
REJECTION : 55 dB MIN AT 13.75-14.50 GHz

PRESSURIZATION: TESTED TO 5.0 PSIG
FINISH : CHEMFILMED PER MIL-C-5541,
 CLASS 1A

REVISIONS

REV	DESCRIPTION	DATE	APPROVED
-	INITIAL RELEASE		



UNLESS OTHERWISE SPECIFIED		APPROVALS	DATE	GENERAL DYNAMICS PROPRIETARY	
INTERPRET DIMENSIONING & TOLERANCING PER ANSI Y14.5M-1982. DIMENSIONS ARE IN INCHES. DIMENSIONS SHOWN IN () ARE FOR REFERENCE ONLY. TOLERANCES ARE: SURFACE- TOLERANCES- .XX ±.02 .XXX ±.002 .XXXX ± ANGLES ±0°30'		DRAWN: C.G.ORTEGA	09-11-06	GENERAL DYNAMICS SATCOM Technologies 3111 Fujita St., Torrance, CA 90505, (310) 539-6704	
MATERIAL: CAST ALUMINUM ALY A356		CHECKED: H.Spieleder	09-11-06		
63 ✓		ENGGR:		Ku BAND FILTER	
		MFG:		10.70 - 12.75 GHz	
		QA:		SCALE: 3:2	
		EAR CONTROLLED: Export or re-export subject to 15 CFR 700-799.		SIZE	FSCM No.
				C	50478
				DWG No.	111960-17
				REV	-
				SHEET	1

NOTES: UNLESS OTHERWISE SPECIFIED.