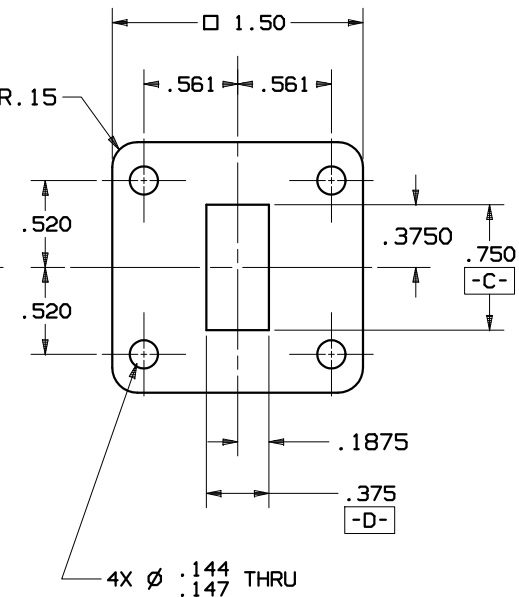
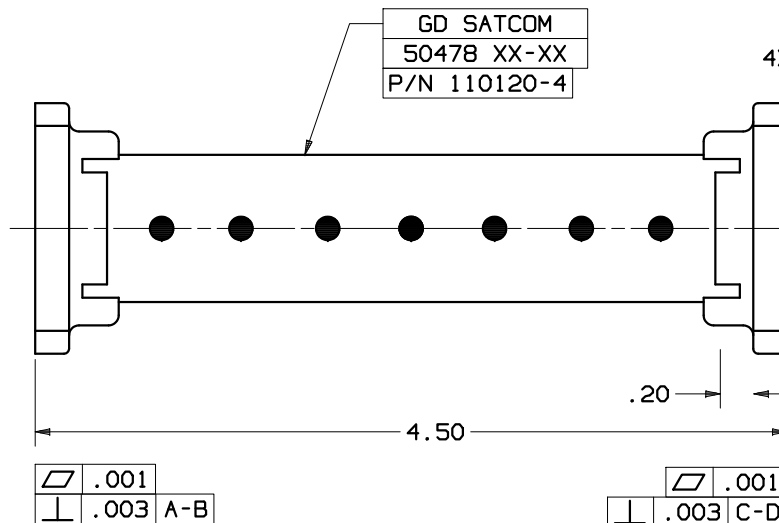
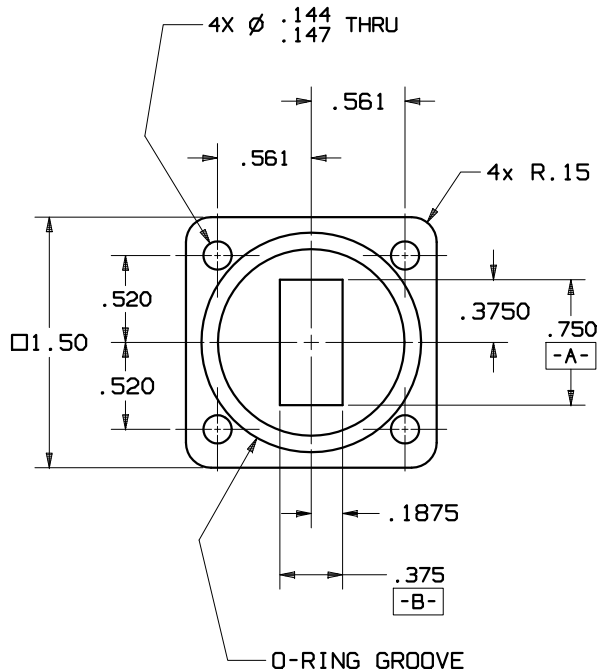


SPECIFICATIONS

FREQUENCY BAND : 13.75 - 14.50 GHz
INSERTION LOSS : 0.30 dB MAX
VSWR : 1.30:1 MAX
ISOLATION : 70 dB MIN AT 10.70-12.75 GHz
 AND 50 dB MIN AT 13.05 GHz
POWER HANDLING : 400 WATTS CW
PRESSURIZATION : SEALED TO 5 PSI
FINISH
 FLANGE FACES: ZINC-NICKEL PLATED PER AMS-2417G
 TYPE II CLASS 2
 EXTERIOR: WHITE PAINT, COLOR #17875 PER
 FED-STD-595

REVISIONS

REV	DESCRIPTION	DATE	APPROVED
M	SEE ECN#2129	02-13-09	



UNLESS OTHERWISE SPECIFIED	SIGNATURES	DATE	GENERAL DYNAMICS PROPRIETARY		
DIMENSIONS ARE IN INCHES	DRAWN: A. ROSS	11-28-07	GENERAL DYNAMICS SATCOM Technologies 3111 Fujita St., Torrance, CA 90505, (310) 539-6704 Ku-BAND BANDPASS, FILTER		
TOLERANCES-	CHECKED: H. SPIELEDER				
SURFACE .XX ±.02	ENGRS:				
.XXX ±.003	MFG:				
32 ✓ ANGLES±					
MATERIAL	EAR CONTROLLED:				
FINISH	Export or re-export subject to 15 CFR 700-799.				
	SIZE	FSCM No.	DWG No.	REV	
	C	50478	110120-4	M	
	SCALE: 7:4				SHEET 1