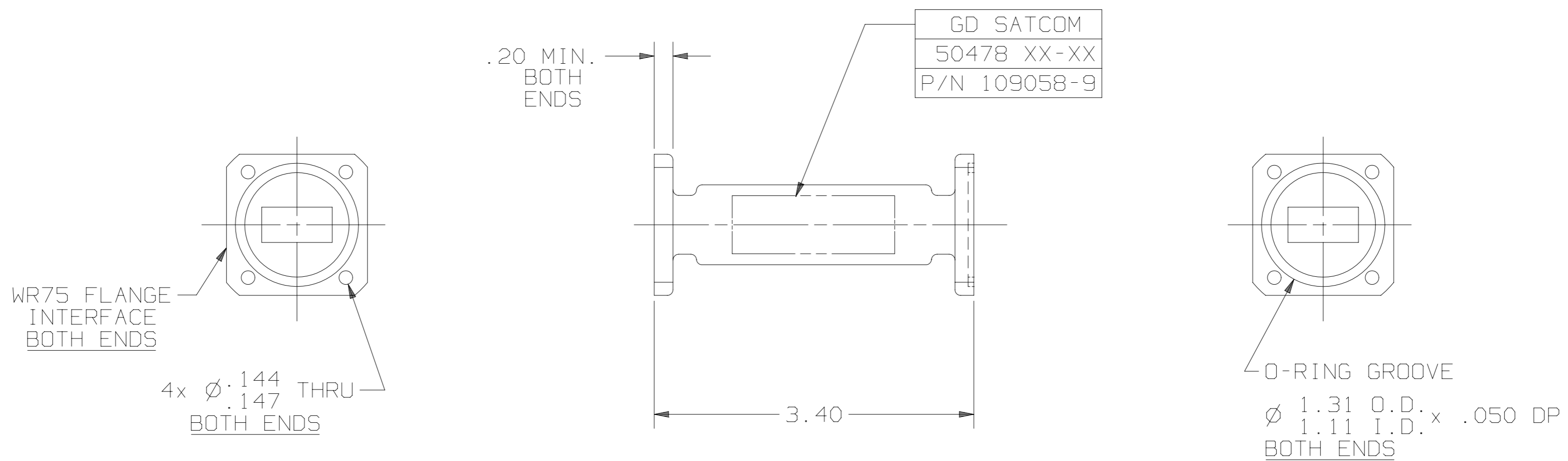


SPECIFICATIONS

PASSBAND : 10.70 - 12.75 GHz  
 PASSBAND LOSS : 0.20 dB TYPICAL  
 : 0.30 dB MAX @ 12.75 GHZ  
 PASSBAND VSWR : 1.15:1 MAX  
 REJECTION : 55 dB MIN AT 13.75-14.70 GHZ  
 PRESSUARIZATION : SEALED TO 5 PSIG  
 FINISH INTERIOR  
 & FLANGE FACES: CHEMFILMED PER MIL-C-5541, TYPE 1A  
 EXTERIOR: WHITE PAINT, COLOR #17875 PER  
 FED-STD-595

REVISIONS			
REV	DESCRIPTION	DATE	APPROVED
D	SEE ECN# 2228	04-06-09	



-9 CONFIGURATION

NOTES: UNLESS OTHERWISE SPECIFIED.

UNLESS OTHERWISE SPECIFIED		SIGNATURES		DATE		GENERAL DYNAMICS PROPRIETARY					
DIMENSIONS ARE IN INCHES		DRAWN: H. Lim		10-27-98		GENERAL DYNAMICS SATCOM Technologies 3111 Fujita St., Torrance, CA 90505, (310) 539-6704					
TOLERANCES-		CHECKED: H. Spieleder		10-27-98							
SURFACE .XX ±.02		ENGRG:				Ku-BAND FILTER 10.70 - 12.75 GHz					
.XXX ±.002		ENGRG:									
63 ✓ .XXXX ±.0010		ENGRG:				SIZE		FSCM NO.		DWG NO.	
ANGLES±		ENGRG:				C		50478		109058-9	
MATERIAL		EAR CONTROLLED:				SCALE: 1:1				SHEET 1 of 1	
AL ALY A356		Export or re-export subject to 15 CFR 700-799.								REV D	
FINISH											