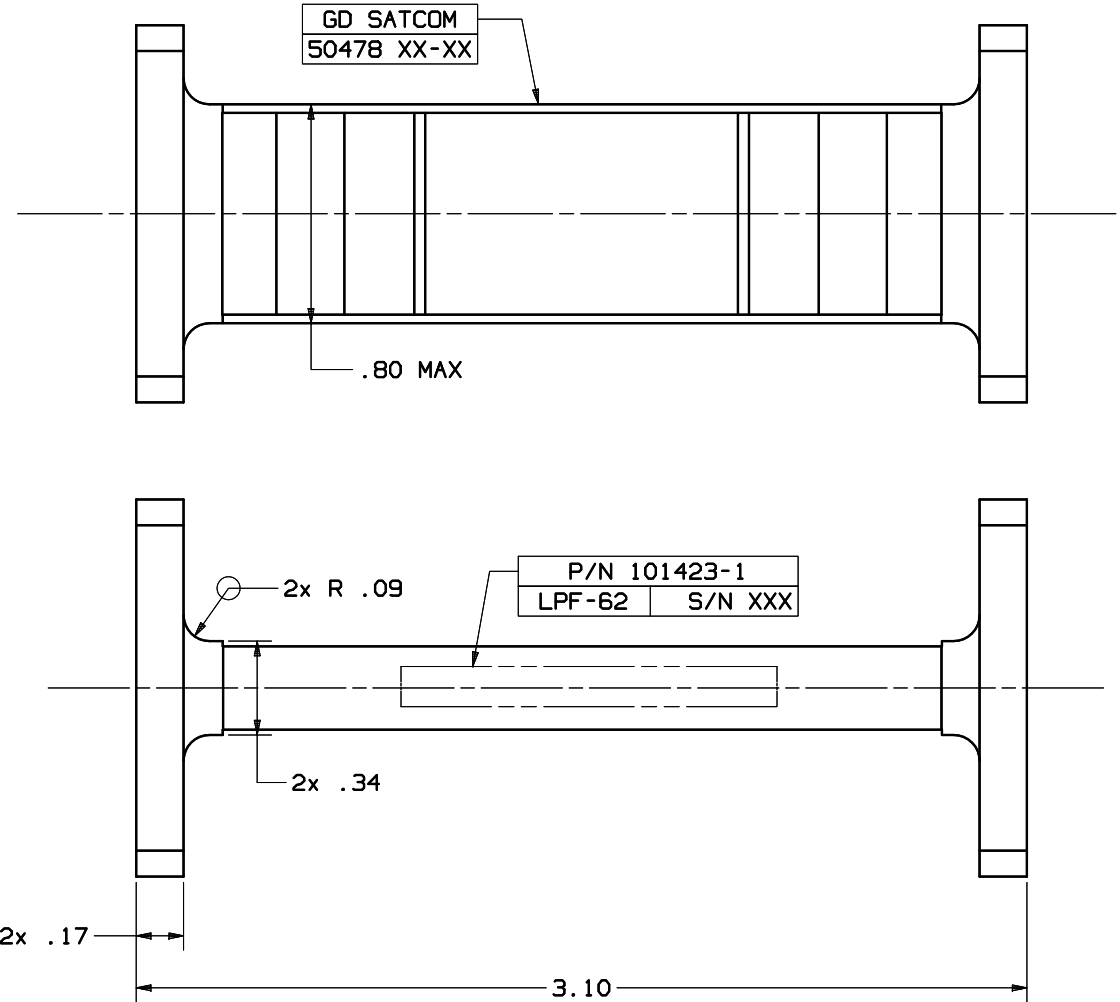
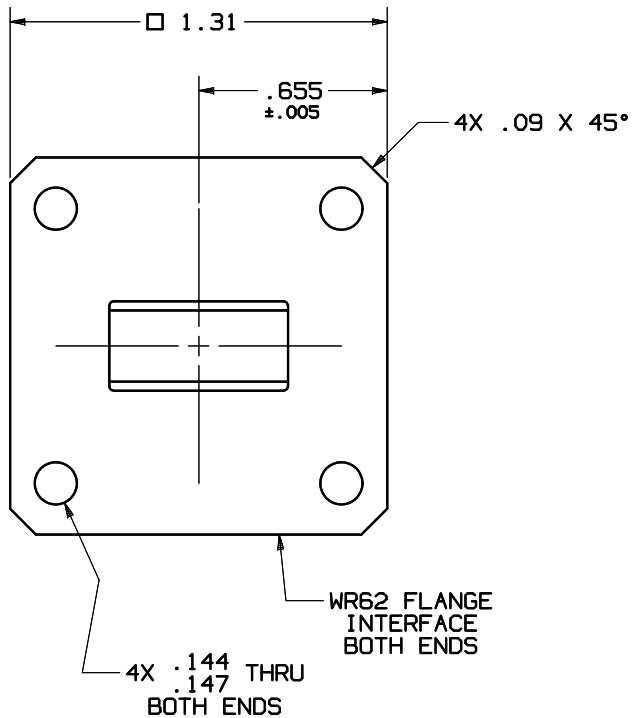


SPECIFICATIONS

PASSBAND FREQUENCY: 12.40 - 18.00 GHz
PASSBAND LOSS : 0.5 dB MAX (0.3 TYP)
PASSBAND VSWR : 1.5:1 MAX (1.3:1 TYP)
ISOLATION : 40 dB @ 23.0 - 50.0 GHz
 : 30 dB @ 50.0 - 55.0 GHz
POWER HANDLING : 250 W CW
MASS : 500 grams MAX
PRESSURIZATION : SEALED TO 5.0 PSIG
FINISH FLANGE FACES: BRASS
 EXTERIOR: BLACK PAINT, COLOR No 37038
 PER FED-STD-595

REVISIONS			
REV	DESCRIPTION	EFFECTIVE DATE	APPROVED
K	SEE DR No 10915		



UNLESS OTHERWISE SPECIFIED	APPROVALS	DATE	GENERAL DYNAMICS PROPRIETARY		
INTERPRET DIMENSIONING & TOLERANCING PER ANSI Y14.5M-1982. DIMENSIONS ARE IN INCHES. DIMENSIONS SHOWN IN () ARE FOR REFERENCE ONLY. TOLERANCES ARE: SURFACE- TOLERANCES- .XX ±.01 .XXX ±.002 .XXXX ±.0010 ANGLES ±0°30' 63 ✓ MATERIAL:	DRAWN: M. STUPNIK	10-10-80	GENERAL DYNAMICS SATCOM Technologies 3111 Fujita St., Torrance, CA 90505, (310) 539-6704 Ku-BAND LOWPASS FILTER (LPF 62)		
	CHECKED: H. Spieleder	11-15-96			
	RF-ENG: J. Wrigley	02-16-07			
	WF6-ENG:				
	ENG-MGR: J. Kerpan	02-16-07			
	EAR CONTROLLED:		SIZE	FSCM No	DWG No
	Export or re-export subject to 15 CFR 700-799.		C	50478	101423-1
			SCALE: 3:1		SHEET 1
					REV K

NOTES: UNLESS OTHERWISE SPECIFIED.