

DSR-6400

Commercial Integrated Receivers/Transcoders



PRODUCT OVERVIEW

The DSR-6400 series Integrated Receivers/Transcoders employ the ARRIS fourth generation transcoding technology, incorporating the very latest encoding advancements. The performance gains found in the DSR-6400 series deliver programmers and cable operators a premium distribution solution for even the most demanding video content.

Purposefully designed for scalability, the DSR-6400 series is available in configurations capable of transcoding from one up to four input services. The DSR-6400 series' transcoding power supports simultaneous MPEG-2 HD and MPEG-2 SD output plus pass-through for each input service.

Packaged in a one-RU chassis, the DSR-6400 series comes equipped with industry standard input and output interfaces such as Gig-E and ASI that enable seamless connections to headend equipment. With advanced modulation support, the DSR-6400 series supports DVB-S2 8PSK to provide maximum satellite bandwidth efficiency.

KEY FEATURES

- Up to 8 transcoded output services
- Compatible with MPEG-4 HD, MPEG-4 SD and MPEG-2 HD video sources
- Simultaneous HD and SD transport stream output for each HD input
- Advanced modulation support with DVB-S2
- Gig-E and ASI transport input and output
- Eight RF inputs (L-Band)
- AFD processing support
- Composite video (DSR-6401) and dedicated OSD outputs
- DigiCipher® II conditional access control
- Ethernet port for SNMP and web browser monitoring and control
- One-RU chassis design

SPECIFICATIONS

L-Band Input

Input Frequency	950 - 2150 MHz
Input Impedance	75 Ω
Input Connectors	Eight (8) F-type
LNB Power Out	16V DC min/450 mA
Port-to-Port Isolation	40 db (minimum)

Digital Processing

Modulation Modes	DVB-S2, 8PSK Turbocodes and DCII QPSK
------------------	---------------------------------------

Symbol Rates

DVB-S2	3 to 33 Msps
8PSK Turbocodes	3 to 30 Msps
DCII QPSK	3.25 to 29.27 Msps

FEC Rates

DVB-S2/8PSK	3/5, 2/3, 3/4, 5/6, 8/9, 9/10
8PSK Turbocodes	2/3 (1.9), 3/4 (2.05), 3/4 (2.11), 3/4 (2.19), 5/6 (2.30), 8/9 (2.40)
DCII QPSK	1/2, 3/5, 2/3, 3/4, 4/5, 5/6, 7/8

Transcoder Inputs

Compression Formats	MPEG-4 and MPEG-2
HD Resolution	1080i 25/29.97 fps, 720p50/59.94 fps
SD Resolution	480i 29.97 fps and 576i 25 fps

Transcoder Outputs

Compression Formats	MPEG-2
HD Resolution	1080i 25/29.97 fps, 720p50/59.94 fps
SD Resolution	480i 29.97 fps and 576i 25 fps
Aspect Ratio Conversion (HD down-conversion)	4x3 center-cut, 4x3 letterbox, 14:9 and anamorphic

SPECIFICATIONS (CONTINUED)

Composite Video Output

Frequency Response (NTSC)	±0.9 dB, 1kHz–4.2 MHz
Output Impedance	75 Ω
Output Level	1.0 V p-p ± 10%
Connectors	Two BNC (one with OSD)

Audio Output

Output	Two stereo pair or four mono
Frequency Response	±0.5 dB, 20 Hz to 20 kHz
Audio Impedance	600 Ω load
Peak Audio Level	±16.0 dBu ± 1.0 dB
Connectors	Quick disconnect screw terminal

Ethernet Management Port

Connector	RJ-45
Format	10/100BaseT

GigE Interface

Connector	RJ-45
Format	10/100/1000BaseT

ASI Interface

Format	Asynchronous Serial Interface
Transmission	Byte or packet mode
Standard	CENELEC EN 50083-9
Connectors	BNC (two out, one in)

Contact Closures/Cue Tones

Number of Contact Closures	Four (one alarm)
Contact Closure Type	Form C
Number of Cue Tone Outputs	4

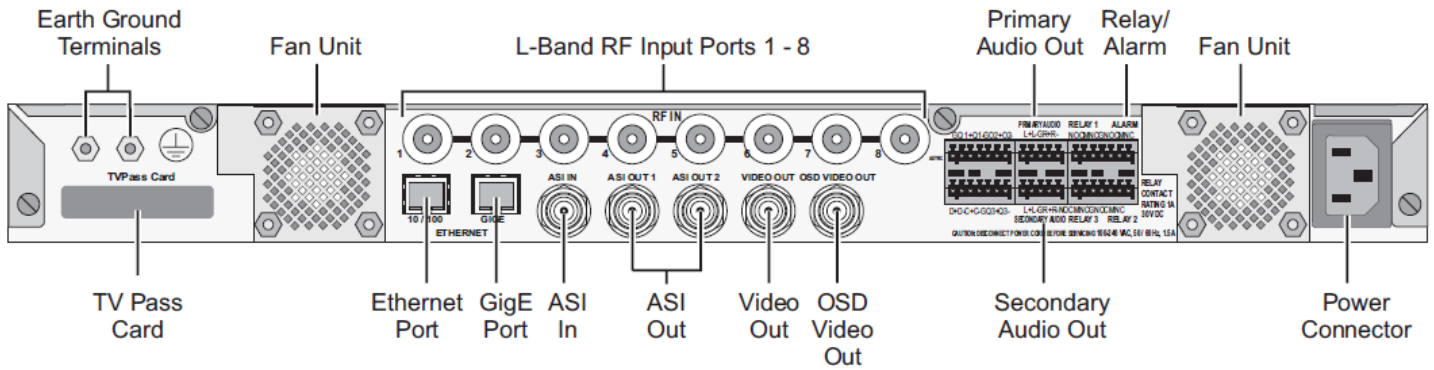
Physical

Width	18.9 in (48cm)
Depth	24.9 in (63.2 cm)
Height	1.65 in (4.2cm)
Weight	12.5 lb (5.7 kg) approx
Power Input	100-240 VAC, 50-60Hz, 85W max
Operating Temperature	0 °C to 40 °C
Humidity	95% relative maximum
Display	Two line, 40-character LCD

Other

Limited Warranty	One year
Compliance	UL listed/approved, FCC part 15

DSR-6400 REAR PANEL



MODEL AND ORDERING INFORMATION

Model Name	Part Number	Description
DSR-6401	582744-001-00	Single Channel Transcoder
DSR-6402	582743-001-00	Two Channel Transcoder
DSR-6403	584840-001-00	Three Channel Transcoder
DSR-6404	581757-001-00	Four Channel Transcoder

CUSTOMER CARE

Contact Customer Care for product information and sales:

- United States: 866-36-ARRIS
- International: +1-678-473-5656