



TRACVISION®

HD11

HD11
TRACVISION

KIVH®

**The Ultimate Marine
Satellite TV System for
Global Entertainment**

KVH

TracVision HD11

HD11

The Ultimate Marine Satellite TV System for Global Entertainment

The satellite television entertainment you desire, the satellite television antenna your yacht deserves.

The next generation of satellite TV at sea has arrived – **KVH TracVision HD11** – the ultimate solution for global entertainment! Enjoy a front row seat and fast, easy access to the best satellite TV available with full support for nearly all Direct-to-Home (DTH) Ku- and Ka-band television services worldwide. Using the most advanced satellite technology available today, this sleek, powerful, and exceptionally easy-to-use 1-meter satellite television system leaves every other system in its wake!

State-of-the-art antenna control unit for an elegantly easy user experience!

Enjoying TV entertainment at sea should be seamless, fun, and hassle-free! The TracVision HD11's Internet Protocol Antenna Control Unit (IPACU), Ethernet connection and built-in Wi-Fi interface make system setup and operation as simple as opening a web browser! *Want it even easier?* Check out KVH's TracVision iPad®, iPhone®, and iPod touch® apps! Use them to switch satellites, access the satellite library, check signal strength, and download and install antenna software and satellite updates. And gone are the days when entering a new region requires climbing up to the antenna to swap LNBS. With the TracVision HD11 it's as simple as visiting a page on your computer or iPad! It doesn't get any easier!



KVH's intelligent IPACU offers the user the ultimate in convenience and simplicity.



Images courtesy of Sunseeker International Limited



Smart options for even easier operation.

The innovative **KVH SmartSwitch** enables switching between banks of receivers from different regions with just a button push! For vessels with the need for dual-dome installations, the SmartSwitch automatically switches to the antenna with the best signal for the chosen satellite.

World's most advanced satellite TV technology delivers the easiest operation available today!

The new TracVision HD11 offers groundbreaking technology designed to provide years of reliable performance in the demanding marine environment. Thanks to KVH's integrated worldwide TV satellite library of 100+ satellites, this smart antenna system allows you to easily switch between services so you can enjoy TV programming from linear and circular satellite TV broadcasts wherever you travel worldwide. Plus, an integrated GPS makes finding those satellites fast and easy!

KVH innovative TriAD™ technology allows you to receive DIRECTV's® North American HDTV service which requires reception of signals from three satellites simultaneously and provides full support for DVRs/PVRs. But best of all, TracVision HD11 streamlines operations by eliminating the need to swap LNBS when you reach a new region by utilizing KVH's state-of-the-art digitally programmable multi-beam Ka/Ku/Ka-band Universal World LNB.



The TracVision HD11 features KVH's revolutionary new four-axis robotic pedestal design providing superior strength, performance, and reliability.

The TracVision HD11 features:

TriAD Technology

KVH's revolutionary TriAD technology – a breakthrough in antenna design – simultaneously receives broadcasts from Ka- and Ku-band satellites. These signals are concentrated by the precision tuned reflector and subreflector before reaching the unique tri-rod dielectric feed to provide a home television experience while you are at sea.

Four-axis, Fully Stabilized Design

The TracVision HD11's four-axis pedestal design features fully stabilized skew adjustment and a robotic direct drive that is stronger and tracks better than competing products. It enables the use of the largest possible antenna within the compact radome while covering the sky from the horizon to directly overhead at the equator, even in rough seas.

Advanced Satellite Detection and Identification

Using KVH's advanced satellite identification, dual tuners, and fully integrated DVB®-S2 compatibility, the TracVision HD11 is the smartest satellite TV system at sea, capable of being easily updated when service providers make changes to their satellite parameters.

Easy Installation

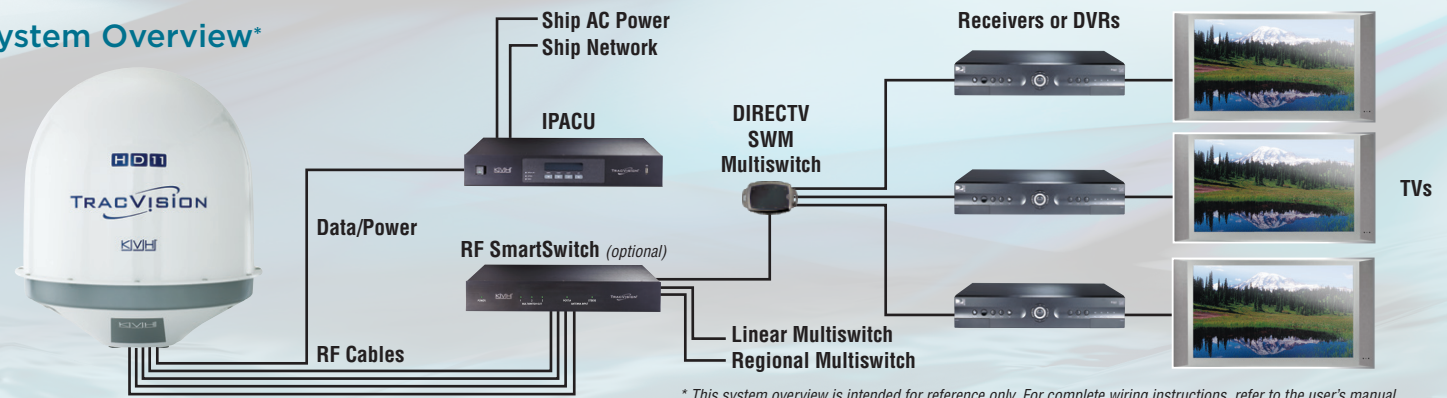
Whether the TracVision HD11 is a new install or an upgrade, installation will be a breeze! With a light, compact design, the TracVision HD11 is easy to install, reduces your above-decks weight, and even uses the same mounting pattern as our competitor's old 1-meter antennas!

GSM Remote Support Module

As part of KVH's commitment to world-class service and your satisfaction, every TracVision HD11 includes a service modem built into the antenna, enabling remote diagnostics to ensure optimal performance and rapid recovery in the unlikely event you experience an issue with the system.

HD11

System Overview*



* This system overview is intended for reference only. For complete wiring instructions, refer to the user's manual.

Making global satellite TV reception a reality.

Your yacht is designed to take you to exotic ports around the globe and now the TracVision HD11 will effortlessly connect you to your favorite services wherever you travel! Equipped with KVH's digitally programmable multi-beam Universal World LNB, it is compatible with nearly all DTH satellite TV services worldwide. And to make operation even more simple, the system comes pre-loaded with an easily updated and expanded library of over 100 satellites around the globe.



Technical Specifications

Satellite Coverage Regions¹	Worldwide ²
Antenna Dish Diameter	1 m (41.5")
Antenna Unit, Diameter x Height/Weight	1.2 m x 1.4 m (48.8" x 57.3") 90.7 kg (200 lbs)
Minimum EIRP³	42 dBW (Ku-band) 45 dBW (Ka-band)
Skew Control	Stabilized/Automatic
LNB Options (polarization/output)	Digitally programmable Universal Ka/Ku/Ka-band Linear/Circular Quad
Tracking Technology	Multi-axis High-Performance (HP™) tracking
User Interface	Internet Protocol-enabled Antenna Control Unit (IPACU)
IPACU Dimensions; Depth/Width/Height	42.5 cm x 28.5 cm x 6.7 cm (11.25" x 16.75" x 2.63")
Elevation/Azimuth Range	-24° to 119°/720°
System Power	100-250 VAC; 250 watts nominal 300 watts peak
Antenna Operating Temperature	-25°C to +55°C (-13°F to +131°F)
Antenna Survival Temperature	-35°C to +70°C (-31°F to +158°F)
Warranty	2-year parts, 1-year labor ⁴
Part number	01-0343-01

¹For details, visit www.kvh.com/footprint.

²Requires region-specific receiver and service.

³Please note that all circular Ka/Ku/Ka-band Minimum EIRP values are average approximate figures that may vary according to transponder frequency and location.

⁴Unless subject to country-specific regulations.

Look to KVH as the leader in providing broadband solutions to mobile users.

KVH Industries is the world's leading provider of mobile satellite communications and television antenna systems and has been serving the marine industry since 1982. With more than 200,000 mobile satellite antennas sold worldwide, tens of thousands of vessels, vehicles, and aircraft enjoy digital-quality television programming thanks to KVH's diverse family of award-winning TracVision antennas.



KVHI
200,000+
Antennas Sold

In any harbor, anywhere around the world, you'll see the distinctive TracVision antennas with the gray baseplates installed on more boats than any other brand of satellite television antenna. It's no wonder that U.S. Coast Guard crews rely on TracVision to stay in touch and entertained! But the real proof is in the products themselves.

NM EA
2013
PRODUCT AWARD
TRACVISION HD11

When you choose KVH, you choose the best.

World-class support

KVH customers enjoy a 24/7/365 online support and troubleshooting system; a responsive, international KVH service and support team; a broad-based network of authorized dealers/distributors; and the KVH Certified Support Network (CSN). An ISO 9001:2008-certified organization, KVH meets the highest international standards for quality.

KVHI
CSN
CERTIFIED
SUPPORT
NETWORK



www.tracvision.com



www.kvh.com

KVHI
NASDAQ
LISTED

KVH Industries, Inc.
World Headquarters
Middletown, RI U.S.A.
Tel: +1 401 847 3327 Fax: +1 401 849 0045
Email: info@kvh.com

KVH Industries A/S
EMEA Headquarters
Kokkedal, Denmark
Tel: +45 45 160 180 Fax: +45 45 160 181
Email: info@emea.kvh.com

KVH Industries Pte Ltd.
Asia-Pacific Headquarters
Singapore
Tel: +65 6513 0290 Fax: +65 6472 3469
Email: info@apac.kvh.com

©2011-2016, KVH Industries, Inc.

Specifications subject to change without notice iPhone, iPad and iPod touch are registered trademarks of Apple Inc; all other trademarks are the property of their respective companies

KVH, TracVision, and the unique light-colored dome with dark contrasting baseplate are registered trademarks of KVH Industries, Inc.

TriAD is a trademark of KVH Industries, Inc.

Protected by U.S. patents 8,723,747; 8,497,810; and 9,281,561. Additional patents pending.

BR_TVHD11_L6_16_14A