



INSTALLATION INSTRUCTIONS

Radome Fibreglass 0.6m (2ft)



INTRODUCTION

The Type 134247 Radome is designed to provide the feeds of vertically or horizontally mounted (0.6m) 2ft parabolic antennas with protection against weather and physical damage. The radome also prevents the accumulation of leaves, sand and other debris in horizontally mounted antennas.

The radome covers the entire concave side of the parabolic reflector as well as the feed. It is spherical in shape and is constructed of fibreglass reinforced plastic. Six M6 bolts are used to attach the radome to the reflector. The bolts and washers are stainless steel. The radome can withstand moderate impact blows such as falling pieces of ice, etc. It will "give" under the impact and regain its shape. It will survive winds up to 200km/hr (125 mph) without damage.

NOTICE

The installation, maintenance or removal of antenna systems requires qualified, experienced personnel. Andrew installation instructions have been written for such personnel. Antenna systems should be inspected once a year by qualified personnel to verify proper installation, maintenance and condition of equipment.

Andrew disclaims any liability or responsibility for the results of improper or unsafe installation practices.

READ THE INSTRUCTIONS THOROUGHLY BEFORE ASSEMBLY

Step 1. Handle the radome very carefully. Place the radome rim flat against the reflector rim. Position the radome so the label is at the bottom of the antenna and so the holes in the radome and reflector rims are in line. Bolt the radome to the reflector with the M6 x 20lg bolts and spring washers. Refer to Figure 1. When the six bolts have been attached, tighten them evenly to a torque of (0.96 kg-m) 7ft-lbs to secure the radome.

PARTS LIST FOR HARDWARE KIT P/N 134252

| Part No. | Description | Qty |
|-------------|----------------------------|-----|
| 122250-18 | Bolt Hex Hd M6 x 20lg Cres | 6 |
| 122252-7 | Washer Spring M6 Cres | 6 |
| 135022-71-1 | Installation Instructions | 1 |

Andrew Corporation
Orland Park, IL., **U.S.A.60462**
Andrew Antennas
Wokingham, Berks, **Great Britain**
Andrew Canada Inc
Whitby, Ontario, **Canada**

Andrew Australia
Campbellfield Victoria, **Australia**
Andrew AKG
Zurich, **Switzerland**
Andrew GmbH
Essen, **Federal Republic of Germany**

Antenas de Transmission S.A de C.V.
Mexico, D.F. **Mexico**
Antennes Andrew S.A.R.L.
Buc, **France**
Andrew Corporation
Tokyo, **Japan**

Andrew S.R.L
Milian, **Italy**
Andrew Espana S.A.
Madrid, **Spain**

Printed 10/95
Copyright © Andrew corporation

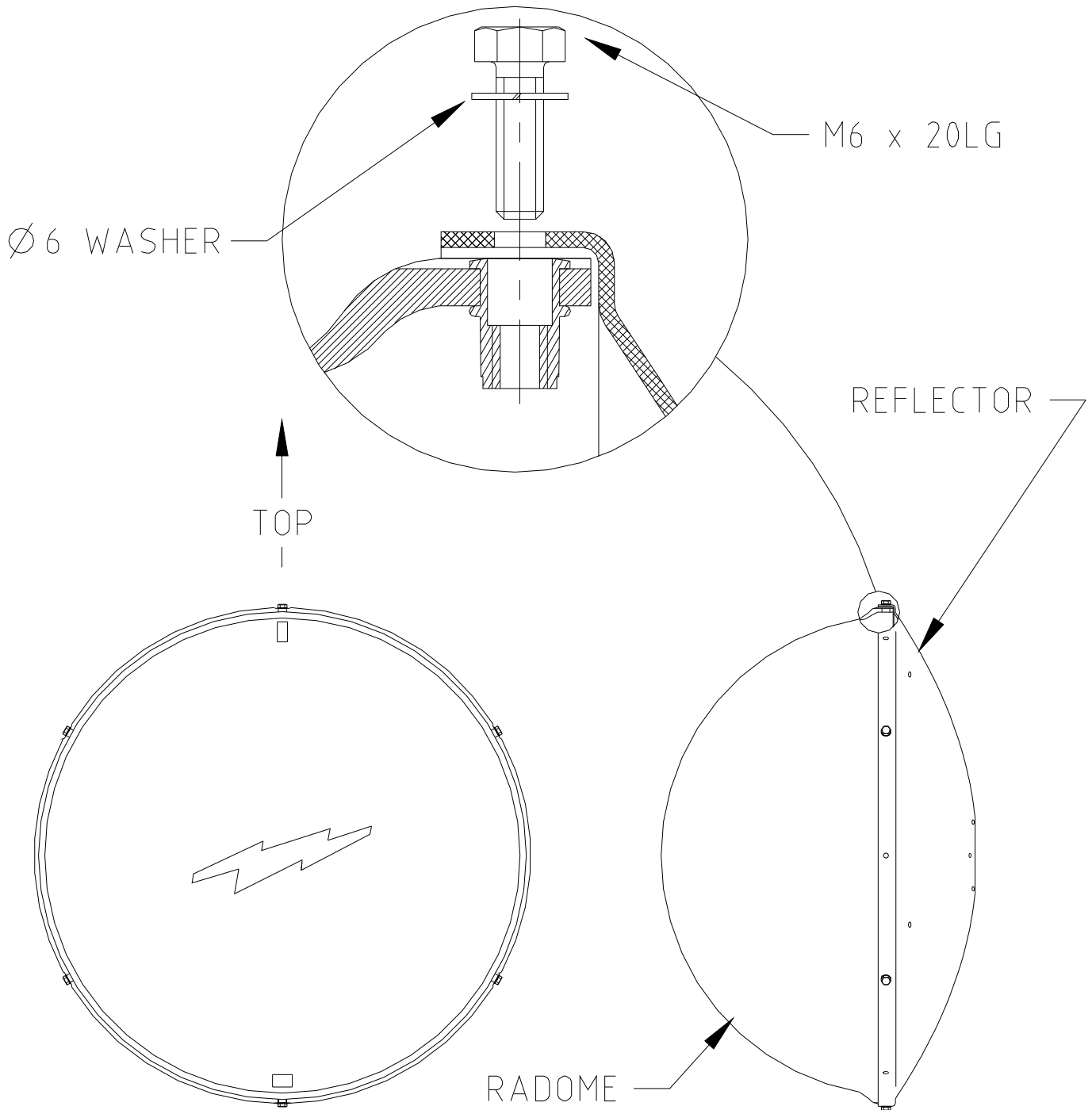


FIGURE 1.

SatelliteDish.com (954) 941-8883