

Precision waveguide polarization attenuator

Precision waveguide polarization attenuator, the Freq range cover 4 to40GHz.

Feature:

- Adjustable
- Low VSWR

Application :

- Sat Com/Aerospace/Radar/ISM/SNG & Uplink
- Other

Technical Specifications :

Attenuation values (dB) 0~60 Attenuation accuracy (dB) $\pm 0.2 \pm 2\%$ VSWR (dB) 1.25

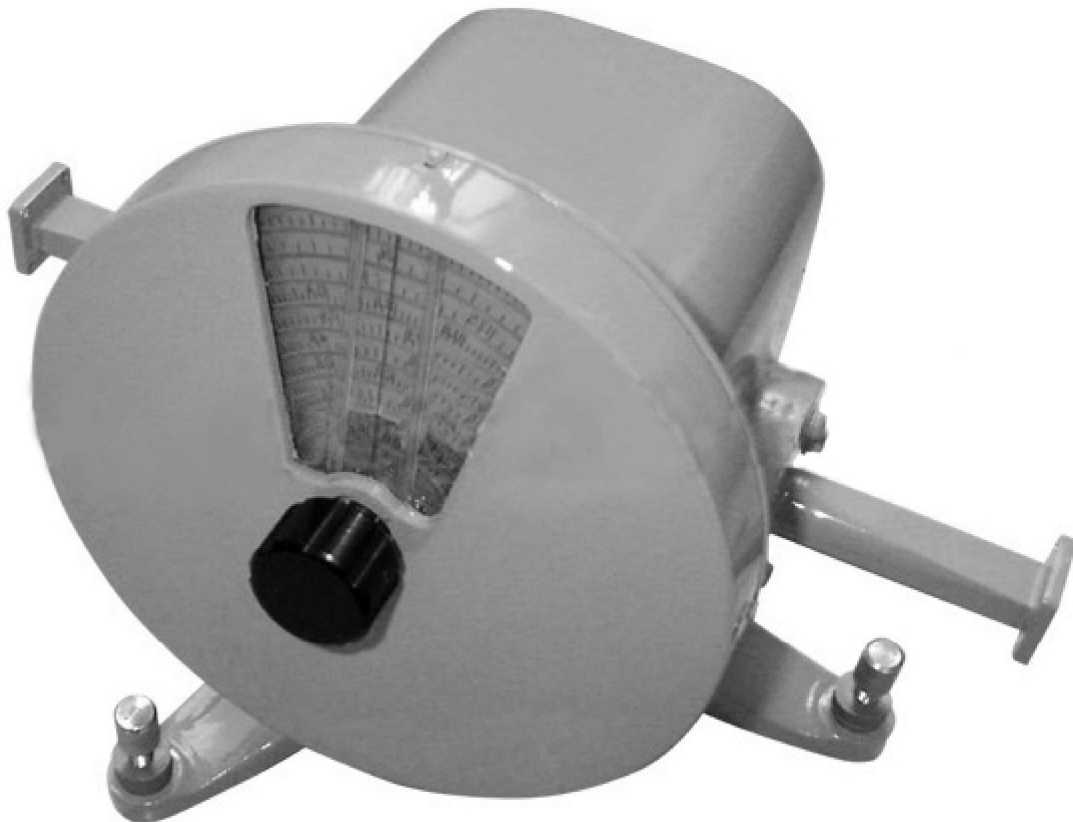
Mechanical Specifications :

Material Al/Cu

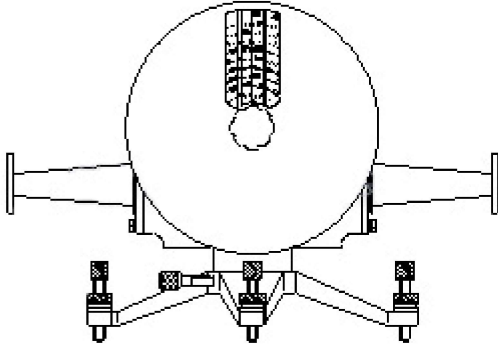
Enviromental Specifations :

Operating Temperature -55~+85

Types:



Outline Drawing:



Model List :

Waveguide			Frequency Range (GHz)	VSWR Max.	Attenuation values (dB)	Attenuation accuracy(dB)	Material
E.I.A.	IEC	UK					
WR28	WG22	R320	26.5-40.0	1.25	0~60	±0.2 ±2%	Al/Cu
WR34	WG21	R260	21.7-33.0	1.25	0~60	±0.2 ±2%	Al/Cu
WR42	WG20	R220	17.6-26.7	1.25	0~60	±0.2 ±2%	Al/Cu
WR51	WG19	R180	14.5-22.0	1.25	0~60	±0.2 ±2%	Al/Cu
WR62	WG18	R140	11.9-18.0	1.25	0~60	±0.2 ±2%	Al/Cu
WR75	WG17	R120	9.84-15.0	1.25	0~60	±0.2 ±2%	Al/Cu
WR90	WG16	R100	8.20-12.40	1.25	0~60	±0.2 ±2%	Al/Cu
WR112	WG15	R84	6.57-9.99	1.25	0~60	±0.2 ±2%	Al/Cu
WR137	WG14	R70	5.38-8.17	1.25	0~60	±0.2 ±2%	Al/Cu
WR159	WG13	R58	4.64-7.05	1.25	0~60	±0.2 ±2%	Al/Cu

Test curve :

Note:

You could choice Flange type