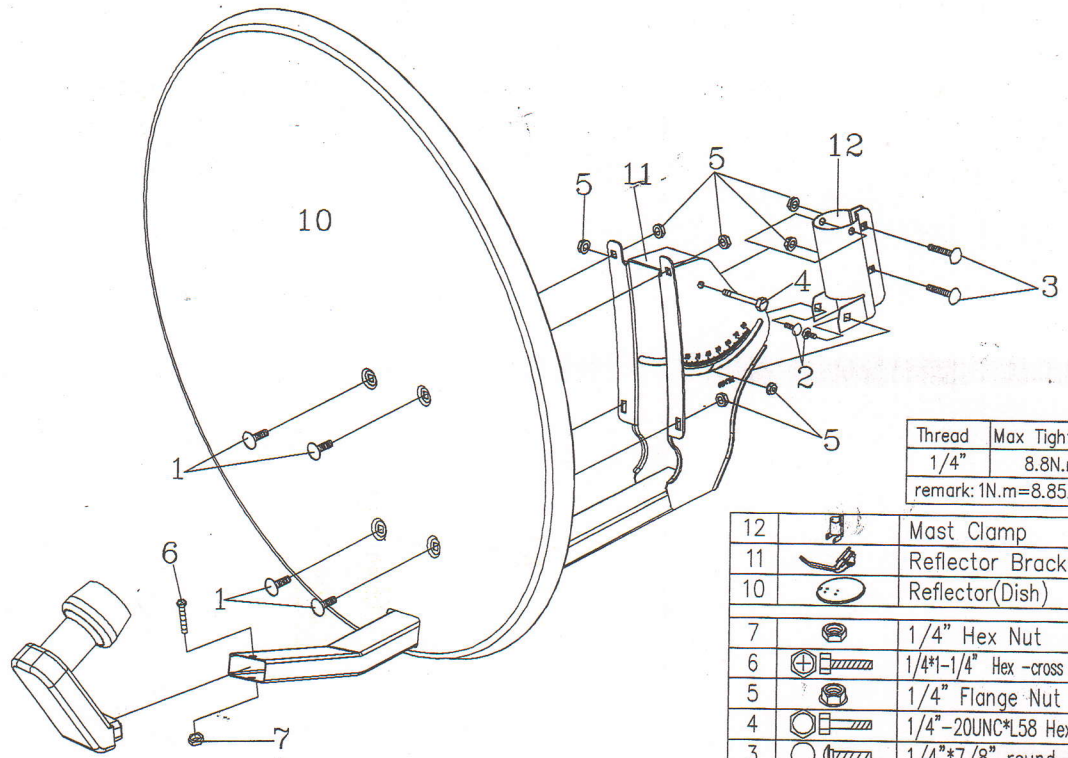


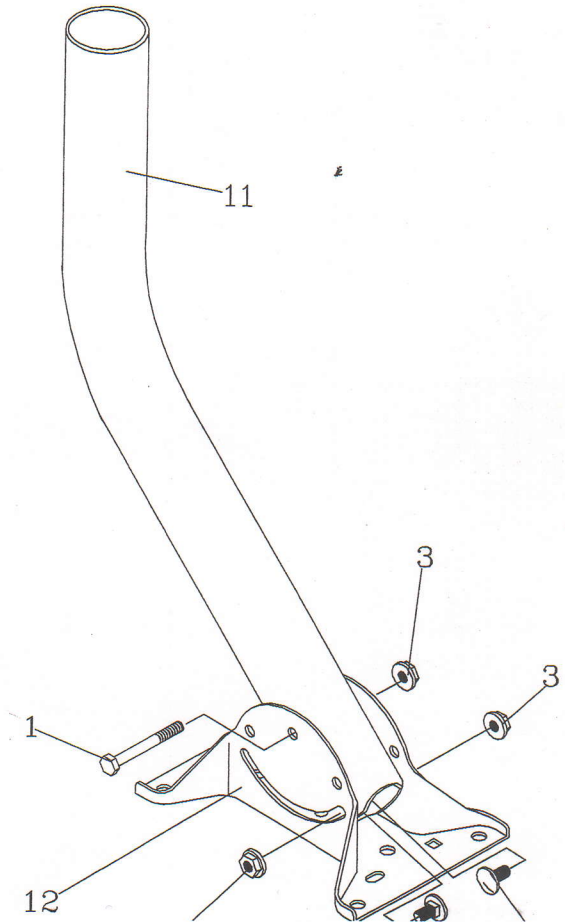
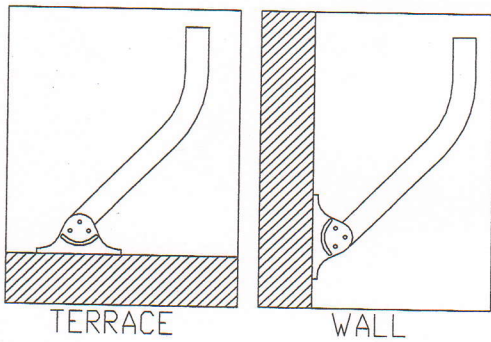
DWD-60T



Thread	Max Tightening torques
1/4"	8.8N.m 80 lb.in

remark: 1N.m=8.852 lbf-in

12		Mast Clamp	1
11		Reflector Bracket W/Arm	1
10		Reflector(Dish)	1
7		1/4" Hex Nut	1
6		1/4"x1-1/4" Hex cross head cap screw	1
5		1/4" Flange Nut	9
4		1/4"-20UNC*L58 Hex Head Screw	1
3		1/4"x7/8" round-head screw	2
2		1/4"x1/2" round-head screw	2
1		1/4"*L10 Round Flat Head Square Screw	4
NO.	ITEM	DESCRIPTION OF MEASUREMENTS IN INCHES	QTY



12		Bottom Mount	1
11		45° Mast Pole	1
		#10-32UNF*1/2" Grounding Screw	1
3		1/4"-20UNC Flange nut	3
2		1/4"x1/2" round head screw	2
1		1/4"x-20UNC*1-1/4" Hex head cap screw	4