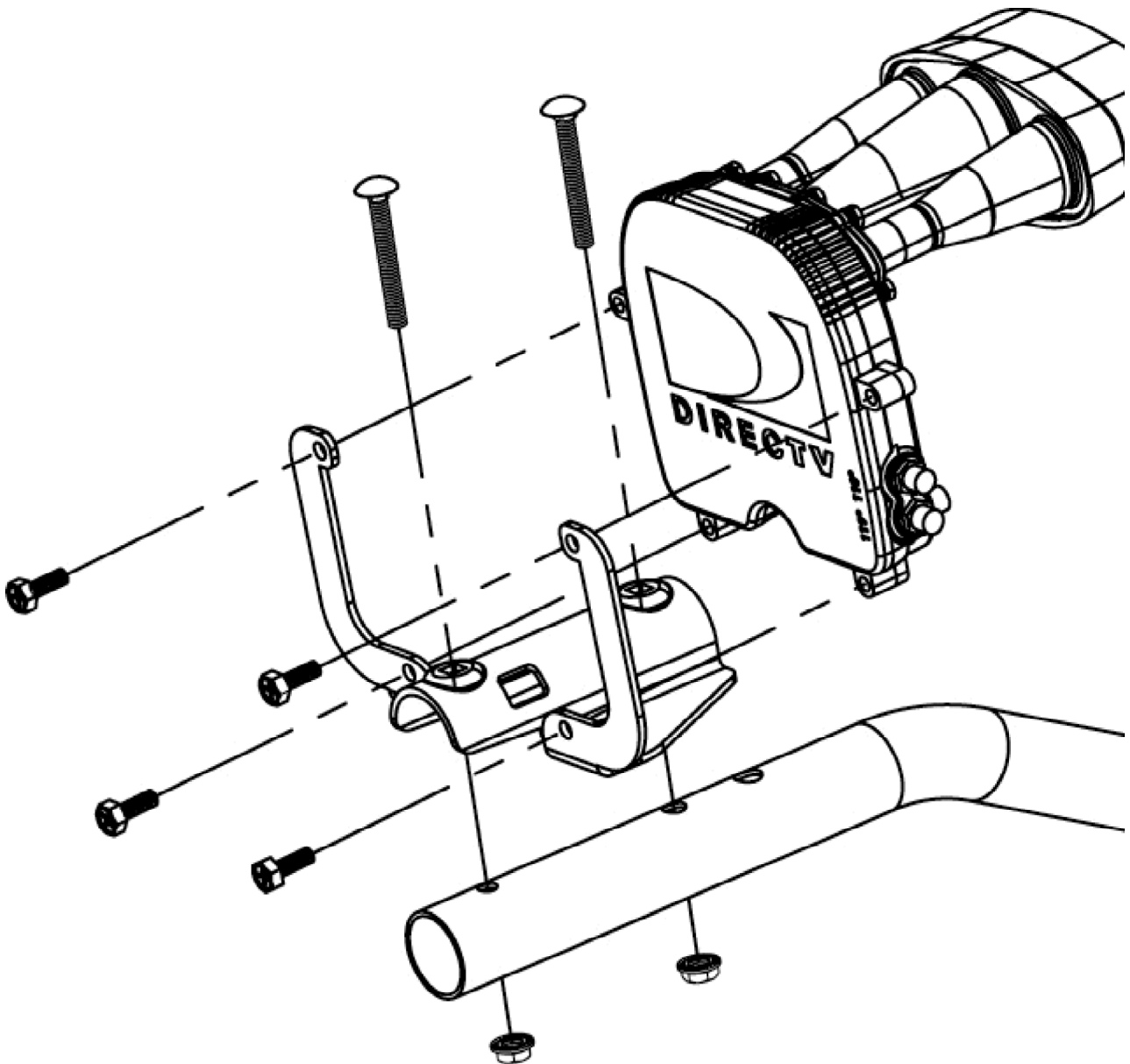


# 99° 101° 103° LNB KIT

## ASSEMBLY INSTRUCTIONS

MODEL DTVAHKAKUKIT



1) Attach LNB mounting bracket to the feed tube as shown, using 2pc 1/4 x 2" carriage

bolts & 1/4" nuts. Attach 99° 101° 103°LNB to the LNB bracket using 4pc  
1/4" x 5/8" hex head screws as shown.

2) The LNB contains a built in multi-switch that will operate up to 4 DIRECTV® receivers independently. Only one cable is needed for antenna fine tuning/alignment.

3) The 2 coax inputs on the side of theLNB labeled "110°" & "119°" are ONLY used if a second system for 110° 119° reception is added. Assembly instructions are provided with the 110° 119°LNB Kit.

4) With Antenna TILT/SKEW, AZIMUTH & ELEVATION set for your site, set the receiver to 101°. Align the antenna for maximum signal on the 101° satellite, thencheck signal levels on 103° and 99°.

5) When maximum signal level has been peaked, tighten all antenna mount adjustment bolts according to the directions provided with the antenna system.

6) Secure/Dress all coax cables and make sure all LNB bracket attachment hardware is tightened.

## **99° 101° 103° LNB KIT**

### **ASSEMBLY INSTRUCTIONS**

**MODEL DTVAHKAKUKIT**

**[SatelliteDish.com](http://SatelliteDish.com)**

**(954) 941-8883**