

SPECIFICATIONS

FREQUENCY BAND Rx: 10.70 - 12.75 GHz
 Tx: 13.75 - 14.50 GHz

INSERTION LOSS Rx: 0.50 dB
 Tx: 0.35 dB

VSWR Rx: 1.25:1 MAX
 Tx: 1.25:1 MAX

ISOLATION Tx/Rx: 85 dB MIN.
 Rx/Tx: 70 dB MIN.
 Rx/Rx: 35 dB MIN.
 Tx/Tx: 35 dB MIN.

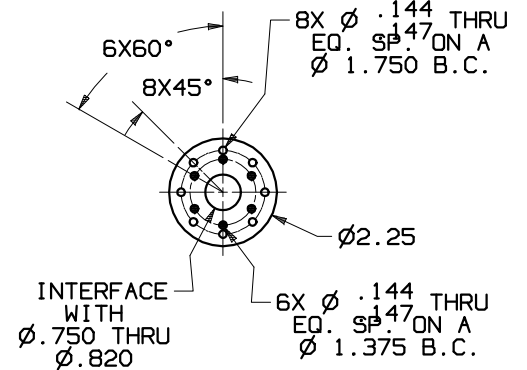
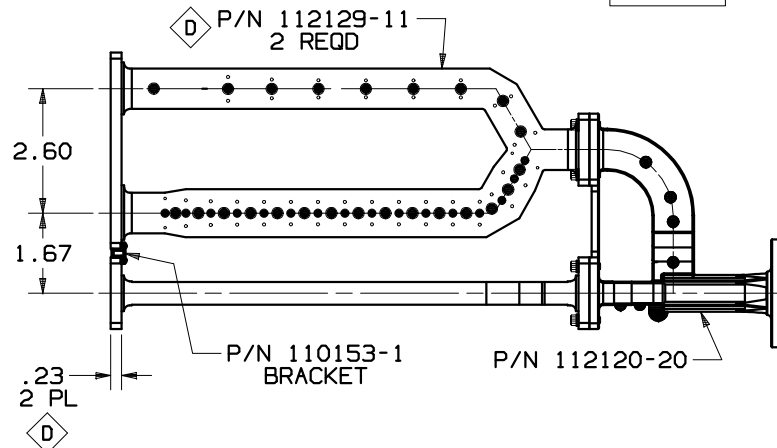
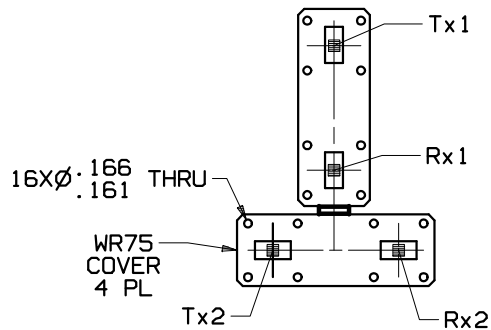
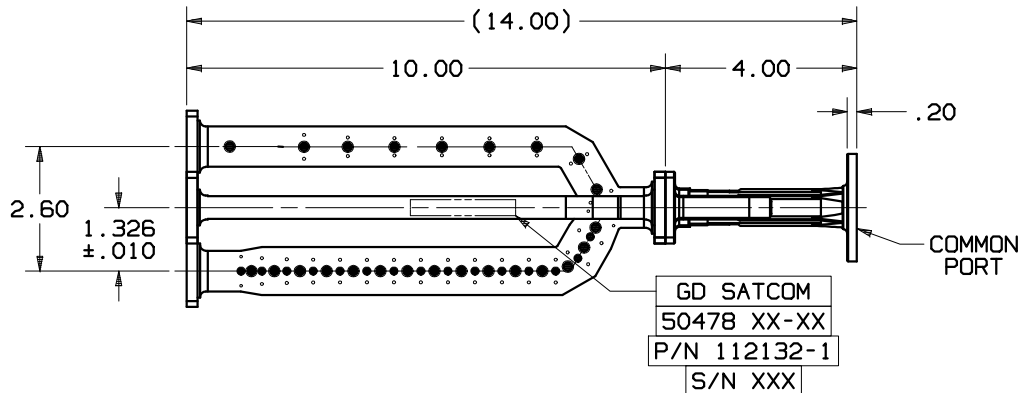
CROSSPOL : 35 dB MIN.

POWER HANDLING : 2 kW CW
 (1 kW PER Tx PORT)

PRESSURIZATION: SEALED TO 5 PSIG

FINISH
 COMMON PORT: CHROMATE CONVERSION COATED PER MIL-DTL-5541F, TYPE II, CLASS 1A
 Rx & Tx PORTS: DU CHROME 154-L
 EXTERIOR: WHITE PAINT, COLOR No 17875 PER FED-STD-595

REVISIONS			
REV	DESCRIPTION	EFFECTIVE DATE	APPROVED BY
C	SEE DR No 10109	04-19-11	M.L.
D	SEE CN No 12021	2015-09-04	J.Mitchell



NOTES: UNLESS OTHERWISE SPECIFIED.

UNLESS OTHERWISE SPECIFIED		APPROVALS	DATE	GENERAL DYNAMICS PROPRIETARY	
INTERPRET DIMENSIONING & TOLERANCING PER ANSI Y14.5M-1992. DIMENSIONS ARE IN INCHES. DIMENSIONS SHOWN IN () ARE FOR REFERENCE ONLY. TOLERANCES ARE:		DRAWN: L. TOVALIN	07-21-99	GENERAL DYNAMICS SATCOM Technologies 3111 Fujita St., Torrance, CA 90505, (310) 539-6704	
SURFACE- TOLERANCES- .XX ±.01 .XXX ±.002 .XXXX ±.0010 ANGLES ±0°30'		CHECKED: H. SPEILEDER	07-21-99		
32 ✓		RF ENGR:			
MATERIAL:		ENGRG:			
		MFGG:		4-PORT, Ku-BAND WR75	
		EAR CONTROLLED: Export or re-export subject to 15 CFR 700-799.			
		SIZE	FSCM No.	DWG No.	REV
		C	50478	112132-1	D
		SCALE: 1:2	SHEET 1		