



QBC0007F2V51-1

technical specifications

Band Name 700 850 1900-AWS WCS

Passband	698 - 798MHz	824 - 906MHz	1695- 2200MHz	2305 - 2360MHz
Insertion loss	0.3dB typical	0.3dB typical	0.25dB typical	0.4dB typical
Return loss	24dB typical			
Maximum input power	150W (average) / 1.5kW (PEP)	500W (average) / 5kW (PEP)	250W (average) / 2.5kW (PEP)	150W (average) / 1.5kW (PEP)
Rejection in 700	N/A	50dB typical	80dB typical	80dB typical
Rejection in 850	50dB typical	N/A	80dB typical	80dB typical
Rejection in 1900-AWS	80dB typical	80dB typical	N/A	50dB typical
Rejection in WCS	80dB typical	80dB typical	50dB typical	N/A

electrical

Impedance	50Ohms
Intermodulation products	-153dBc typical (2x 20 W carriers, in receive band)
Phase linearity variation over any 10MHz	< 10°
Group delay variation over any 10MHz	< 20ns

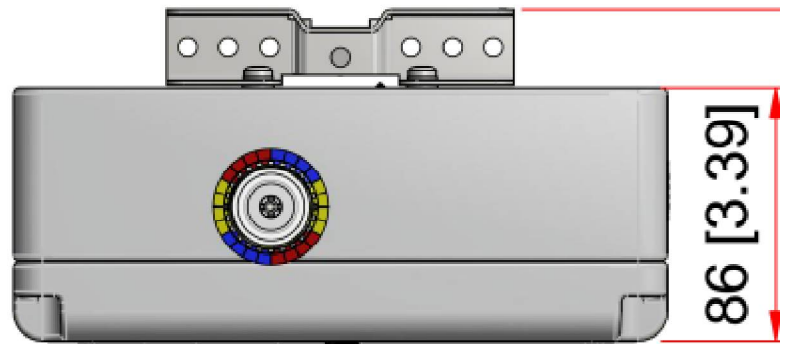
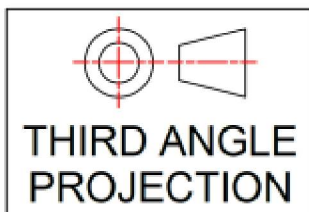
dc / aisg

A field selectable DC/AISG path is achieved via mechanical links on a IEC60130-9, 8-pin female connector (see mechanical diagram). It is Kaelus's recommendation that due to AISG link budget reasons that a maximum of 2 DC/AISG paths are activated simultaneously without active repeating of the AISG signal

Passband	0 - 3MHz
Insertion loss, single DC/AISG pass	1dB maximum
Return loss, single DC/AISG pass	12dB minimum
Insertion loss, two DC/AISG pass	4.5dB typical
Return loss, two DC/AISG pass	9dB typical
Input voltage range	± 31V

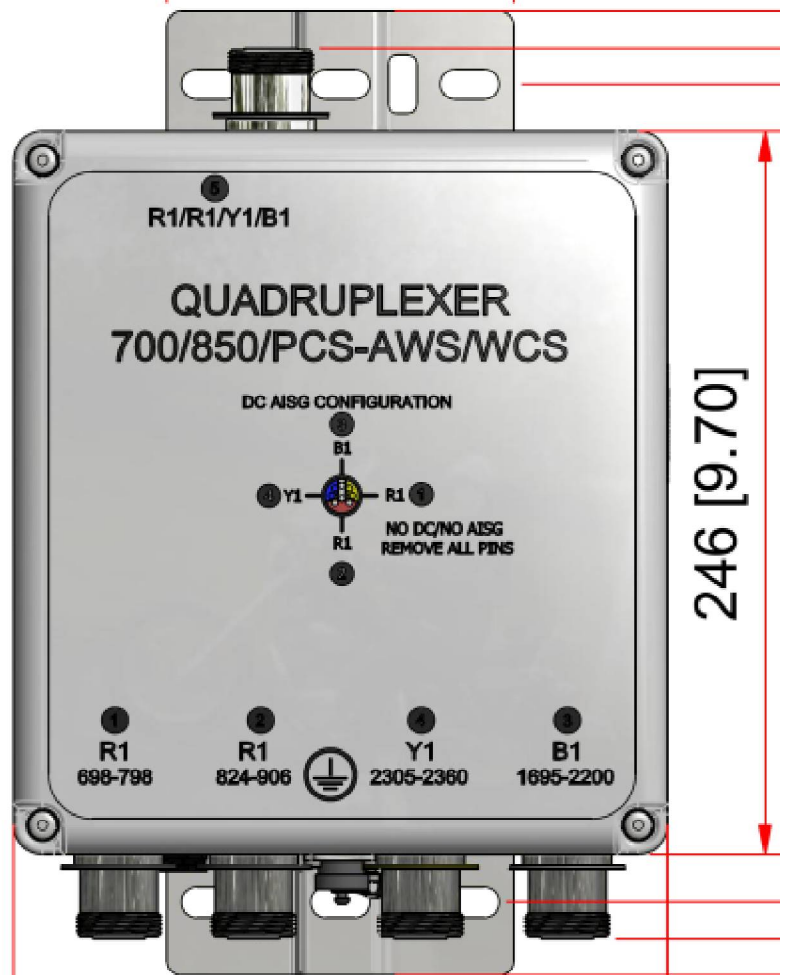
DC current rating	2A continuous, 4A peak
Compliance	AISG 1.1/2.0
environmental	
For further details of environmental compliance, please contact Kaelus.	
Temperature range	-40°C to +65°C -40°F to +149°F
Ingress protection	IP67
Lightning protection	IEC61312-1 ±5kA maximum (8/20us)
MTBF	>1,000,000 hours
Compliance	ETSI EN 300 019 class 4.1, RoHS
mechanical	
Dimensions H x D x W (single unit)	246 x 223 x 86mm 9.73 x 8.78 x 3.39in (excluding brackets & connectors)
Dimensions H x D x W (twin unit)	246 x 223 x 205mm 9.73 x 8.78 x 8.06in (excluding brackets & connectors)
Weight	7.6kg 16.7lb (single unit) 15.2kg 33.4lb (twin unit)
Finish	Painted, light grey (RAL7035)
Connectors	DIN 7-16 (F) x 5 long neck(single unit) DIN 7-16 (F) x 10 long neck(twin unit)
Mounting	Pole/wall bracket supplied

NOTE:
SINGLE UNIT SHOWN



118 [4.65]

86 [3.39]



R1/R1/Y1/B1

QUADRUPLER
700/850/PCS-AWS/WCS

DC AISG CONFIGURATION



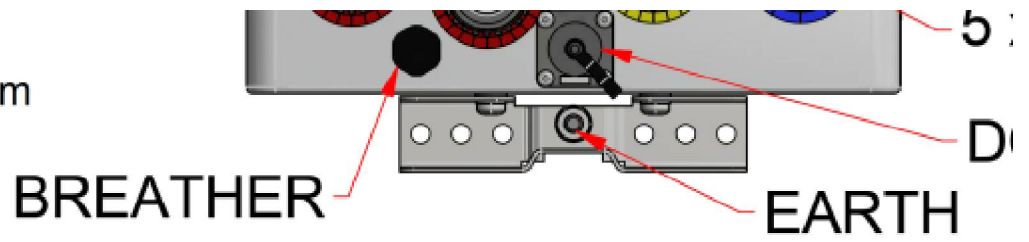
R1 698-798 R1 824-906 Y1 2305-2380 B1 1895-2200

246 [9.70]

223 [8.78]



mm[inch]
Tolerance:± 1mm



SatelliteDish.com®

(954) 941-8883