

7708VB-4-1H-SE

Single HD or Quad SD/ASI Transceiver with Ethernet

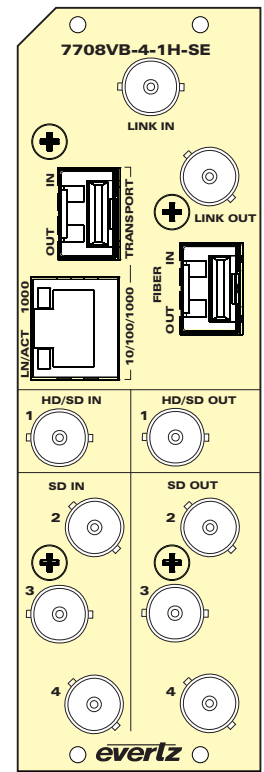
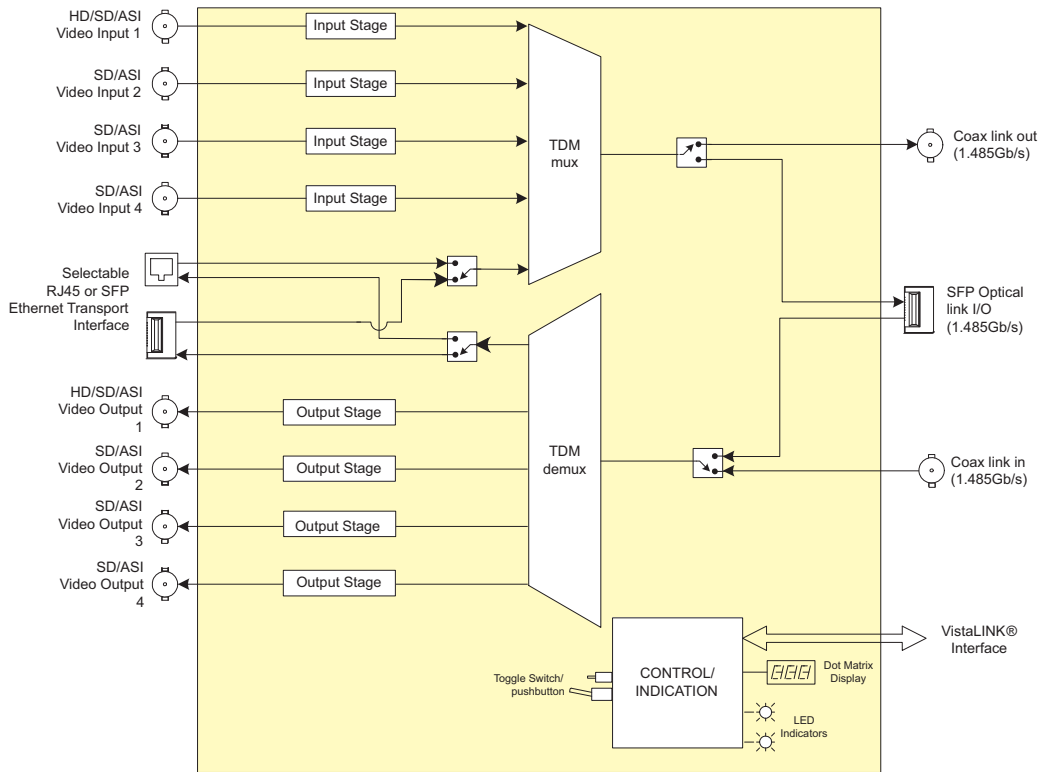


The 7708VB-4-1H-SE is part of the Evertz FacilityLINK™ series of Multiservice fiber transport products. Common applications include bi-directional transport of video plus Ethernet for purposes as simple as bringing back M&C data to full file-transfer or LAN extension. The 7708VB-4-1H-SE combines these

signal types and directions into a single product which utilizes a 1.485Gb/s link rate. This allows the use of economical HD-SDI local loop transport links, and expands their capabilities and value by adding the ability to transport HD-SDI or multiple SD-ASI signals and up to 1Gb/s Ethernet.

► Features & Benefits

- Bi-directional transport of one HD-SDI or four SD/ASI signals plus Ethernet on a single card
- 1.485Gb/s, HD-SDI-compliant link rate allows use of economical HD-SDI transport services for also transporting Ethernet and SD/ASI
- Link may be coaxial or optical when fitted with optional SFP optical modules (see ordering options)
- Ethernet transport connection may be RJ45 or optical when fitted with optional SFP optical modules (see ordering options)
- FBM (Flexible Bandwidth Management) controls Ethernet port data rate with respect to presence or absence of applied input video. 1.485Gb/s transport link, min 30MB/s Ethernet available with one input HD-SDI applied.
- Signal transport uninterrupted by the application/loss of input signals
- Automatic coaxial input equalization up to 100m at 1.485Gb/s and 250m at 270Mb/s (Belden 1694)
- Fully hot-swappable from front of frame
- Optical output wavelengths of 1310nm, 1550nm, and up to sixteen CWDM wavelengths (ITU-T G.694.2 compliant)
- VistaLINK® capable for remote monitoring via SNMP (using VistaLINK® PRO) when installed in 7800FR frame with a 7700FC VistaLINK® Frame Controller
- Occupies two card slots and can be housed in the 3RU 7800FR frame which has a 15 slot capacity or the portable 3RU 350FR frame which has a seven slot capacity or the 1RU 7801FR, which has a two module capacity



The Complete Solution Provider



<http://www.SatelliteDish.com> 954-941-8883

7708VB-4-1H-SE

Single HD or Quad SD/ASI Transceiver with Ethernet



Specifications

Serial Video Input: Number of Inputs: 4 Max capacity: One HD-SDI or up to 4 SDI and/or ASI signals Standard: Input 1: ST 292-1, SMPTE ST 259-C, DVB-ASI Inputs 2-4: SMPTE ST 259-C, DVB-ASI Connector: BNC per IEC 61169-8 Annex A Equalization: Automatic to 100m @ 1.485Gb/s and 250m @ 270Mb/s with Belden 8281 or equivalent cable Return Loss: > 15dB up to 1.5Gb/s	Return Loss: > 15dB up to 1.5Gb/s Coax Link Output: Number of Outputs: 1 Standard: ST 292-1 compliant 1.485 Gb/s data stream Connector: BNC per IEC 61169-8 Annex A Signal Level: 800mV nominal DC Offset: 0V ±0.5V Rise/fall time: < 270ps Overshoot: < 10% of amplitude Return Loss: > 12dB up to 1.5Gb/s Wideband Jitter: < 0.2UI	Ethernet Input/Output: Standard: IEEE 802.3 (10 Base T), IEEE 802.3u (100 Base TX), IEEE 802.3ab (1000 base TX) Optical (when fitted with optional SFP): Connector: SFP (duplex female LC/UPC) Output: Wavelengths: Standard: 1310nm CWDM: 1270nm - 1610nm Output Power: 1310nm: -2dBm ±1dBm CWDM: +3dBm ±1dBm Input: Operating Wavelength: 1270nm-1610nm Max Input Power: -1dBm Optical Sensitivity: Standard: -21dBm High Sensitivity: -28dBm Electrical: Connector: RJ45 Cable Requirements: 10 BaseT: UTP category 3,4 or 5 cable up to 328ft/100m (2 pairs) 100 BaseTX: UTP category 5 cable up to 328ft/100m (2 pairs) 1000 BaseTX: UTP category 5 cable up to 164ft/50m (4 pairs) Electrical: Voltage: +12VDC Power: 13W
Serial Video Output: Number of Outputs: 4 Standard: Output 1: ST 292-1, SMPTE ST 259-C, DVB-ASI Outputs 2-4: SMPTE ST 259-C, DVB-ASI Connector: BNC per IEC 61169-8 Annex A Signal Level: 800mV nominal DC Offset: 0V ±0.5V Rise/Fall Time: 1.485Gb/s: < 270ps 270Mb/s: 900ps nominal Overshoot: < 10% of amplitude Return Loss: > 12dB up to 1.5Gb/s Wideband Jitter: < 0.2UI	Optical Link Output (when fitted with optional SFP): Number of Outputs: 1 per SFP Connector: Female LC/UPC Wavelengths: Standard: 1310nm CWDM: 1270nm - 1610nm Output Power: 1310nm: -2dBm ±1dBm CWDM: +4dBm ±1.5dBm Optical Link Input(when fitted with optional SFP): Number of Inputs: 1 per SFP Connector: Female LC/UPC Operating Wavelength: 1270nm-1610nm Max Input Power: -1dBm Optical Sensitivity: Standard: -19dBm	
Coax Link Input: Number of Inputs: 1 Standard: ST 292-1 compliant 1.485 Gb/s data stream Connector: BNC per IEC 61169-8 Annex A Equalization: Automatic to 100m @ 1.485Gb/s and 250m @ 270Mb/s with Belden 8281 or equivalent cable		Physical (number of slots): 350FR: 2 7700FR-C: 2 7800FR: 2

Ordering Information

7708VB-4-1H-SE	Single HD or Quad SD/ASI transceiver with Ethernet, HD link rate, SFP's not included	Rear Plate Suffix +3RU	3RU Rear Plate for use with 350FR, 7700FR-C or 7800FR Multiframe
Ordering Options	Rear Plate and Fiber Connector and SFP's must be specified at time of order (Eg: Model +SC +3RU)	Enclosures	
SFP for Ethernet or Optical Link		350FR	3RU Portable Multiframe which holds up to 7 single slot modules
SFPTR-13	SFP Transceiver, 1310nm, standard sensitivity receiver, supports rates up to 3Gb/s	7800FR	3RU Multiframe which holds up to 15 single slot modules
SFPTR-Cxx	SFP Transceiver, CWDM, standard sensitivity receiver, supports rates up to 3Gb/s	7801FR	1RU Multiframe which holds up to 4 single or 2 dual slot modules
SFPTR-CxxH	SFP Transceiver, CWDM, high sensitivity receiver, supports rates up to 3Gb/s		