

7707ET

Ethernet Fiber Transceiver



The 7707ET is a VistaLINK® -capable Ethernet Fiber Transceiver that provides an economical method of transmitting two 10BaseT Ethernet channels or one 100Base-TX Ethernet channel over optical fiber. The transceiver is IEEE 802.3 10BASE-T and IEEE 802.3u 100BASE-TX compliant. It mediates between a 10/100BASE-TX segment and supports both full duplex and half-duplex operation. Monitoring of card status and parameters is provided locally at the card edge and remotely via VistaLINK®.

A pair of 7707ET transceivers permits full duplex communication over single or dual optical fibers. Diagnostic LEDs provide indication of power, link status and data reception.

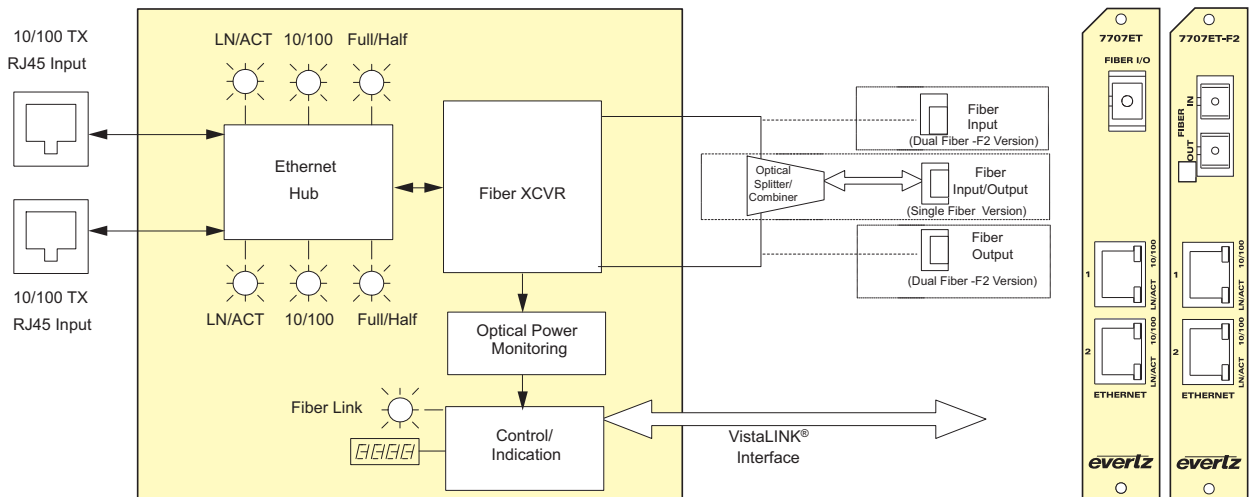
The 7707ET occupies one card slot and can be housed in a 1RU frame that will hold up to three modules, a 3RU frame that will hold up to 15 modules, a 350FR portable frame that will hold up to seven modules or a standalone enclosure, which holds one module.

Features & Benefits

- Two (10 Base T) Ethernet channels or one (100 Base TX) Ethernet channel
- Auto negotiation for 10/100 speed and half/full duplex modes
- Comprehensive signal and card status monitoring via four digit card edge display or remotely through SNMP and VistaLINK®
- VistaLINK® capability is available when modules are used with the 3RU 7800FR or 350FR frame and a 7700FC VistaLINK® Frame Controller module in slot 1 of the frame
- Local display of optical signal strength, link parameters and link status
- Optical output available in 1310nm, 1550nm and up to sixteen CWDM wavelengths (ITU-T G.694.2 compliant)
- DWDM wavelengths (ITU-T G.694.1 compliant) also available
- Supports single-mode and multi-mode fiber optic cable (contact factory for multi-mode applications)
- Fully hot-swappable from front of frame with no fiber or Ethernet channel disconnect required
- SC/PC, ST/PC or FC/PC connector options

Status Indicators

- Frame Status
- 10/100 speed indication for all copper ports
- Full duplex/Collision indication for all copper ports
- Link activity for copper port
- Received optical power level
- Fiber link indication



Specifications

Ethernet Input/Output:		Optical Sensitivity:	Physical (number of slots):
Standard:	IEEE 802.3 (10 BaseT), IEEE 802.3u (100 BaseTX)	WDM (-w version): -26dBm	350FR: 1
Connector:	Two RJ45s	Standard: -28dBm	7700FR-C: 1
Impedance:	100Ω	Wavelengths:	7800FR: 1
Number of channels:	2 (10Base-T) or 1 (100BaseTX)	Standard: 1310nm, 1550nm	
Cable Requirements:		CWDM: 1270nm - 1610nm	Compliance:
10 BaseT:	UTP category 3, 4 or 5 cable up to 328ft/100m (2 pairs)	DWDM: C-Band (ITU-T G.694.1 compliant)	Laser Safety: Class 1 laser product
100 BaseTX:	UTP category 5 cable up to 328 ft/100m (2 pairs)	Output Power:	Complies with 24 CFR 1040.10 and 1040.11
		1310nm FP: -7dBm ±1dBm	IEC 60825-1
		1310nm (-W): -1dBm ±1dBm	Complies with FCC Part 15, Class A
		1550nm, CDWM (DFB):	EU EMC Directive
		0dBm ± 1dBm	
Optical Input/Output:		DWDM (DFB): +7dBm ± 1dBm	
Connector:		Electrical:	
Single Fiber Versions:	1 Female SC/PC, ST/PC or FC/PC	Voltage: 12V DC	
Dual Fiber (F2) Versions:	2 Female SC/PC, ST/PC or FC/PC	Power:	
Input wavelengths:	1270nm-1610nm	Non-DWDM: 6W	
Max. Input Power:	-1dBm	DWDM: 8W	





Ordering Information

7707ET13M-W	Ethernet Fiber Transceiver - Single Fiber, WDM, 1310nm, FP TX, RX on 1550nm, VistaLINK®
7707ET15-W	Ethernet Fiber Transceiver, single fiber, WDM, 1550nm DFB TX, RX on 1310nm, VistaLINK®
7707ET13-F2	Ethernet Fiber Transceiver - Dual Fiber, 1310nm, FP Laser, VistaLINK®
<i>For CWDM, please refer to the end of the fiber section for ordering information</i>	
7707ETxx-F2	Ethernet Fiber Transceiver - Dual Fiber, CWDM, DFB Laser, VistaLINK®
<i>For DWDM, please refer to the end of the fiber section for ordering information</i>	
7707ETDxxx-F2	Ethernet Fiber Transceiver, dual fiber, DWDM TX, VistaLINK®

Ordering Options Rear Plate and Fiber Connector must be specified at time of order (Eg: Model +SC +3RU)

Rear Plate Suffix

+3RU	3RU Rear Plate for use with 350FR, 7700FR-C or 7800FR Multiframe
+1RU	1RU Rear Plate for use with 7701FR Multiframe
+SA	Standalone Enclosure Rear Plate

Connector Suffix

+SC	SC/PC
+ST	ST/PC
+FC	FC/PC
+AP+SC	SC/APC (Angle Polished)
+AP+FC	FC/APC (Angle Polished)

Enclosures

350FR	3RU Portable Multiframe which holds up to 7 single slot modules
7700FR-C	3RU Multiframe which holds up to 15 single slot modules
7800FR	3RU Multiframe which holds up to 15 single slot modules
7801FR	1RU Multiframe which holds up to 4 single or 2 dual slot modules
7701FR	1RU Multiframe which holds up to 3 single or dual slot modules
S7701FR	Standalone Enclosure