

# 7707ET-TE1

## Ethernet Fiber Transceiver

The 7707ET-TE1 is a VistaLINK® -capable Ethernet and T1/E1/J1 Fiber Transceiver that provides an economical method of transmitting one 10/100BaseT Ethernet signal and one T1/E1/J1 signal over optical fiber. Monitoring control of card status and parameters is provided locally at the card edge and remotely via VistaLINK®. A pair of 7707ET-TE1 transceivers permits full duplex communication of all signals over single or dual optical fibers.

The 7707ET-TE1 provides one RJ45 input connector for the 10/100BaseT Ethernet, one RJ45 input connector for the T1/E1/J1 and one or two fiber optic output connectors.

The 7707ET-TE1 occupies one card slot and can be housed in a 1RU frame that will hold up to three modules, a 3RU frame that will hold up to 15 modules, a 350FR portable frame that will hold up to seven modules or a standalone enclosure, which holds one module.

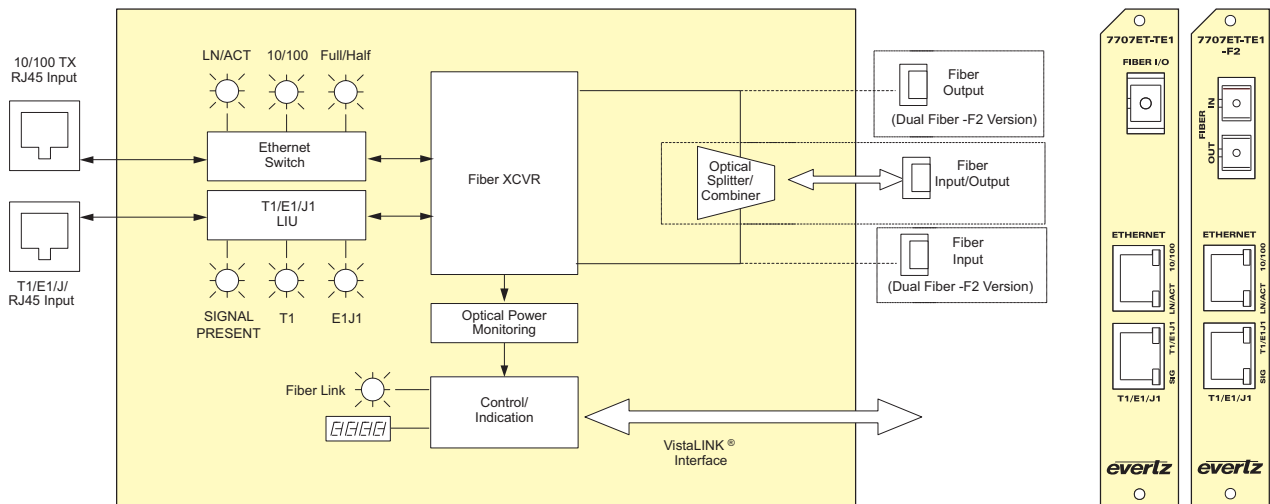
### Features & Benefits

- 10/100BaseT Ethernet and T1/E1/J1 fiber optic transceiver
- Auto negotiation for 10/100 speeds and full/half duplex operation on Ethernet port
- G.703 compliant T1/E1/J1 port
- Ethernet and T1/E1/J1 signals completely independent over transport interface
- Built-in Ethernet switch for isolation of each transmission end
- Comprehensive signal and card status monitoring via four digit card edge display or remotely through SNMP and VistaLINK®
- VistaLINK® capability is available when modules are used with the 3RU 7800FR or 350FR frame and a 7700FC VistaLINK® Frame Controller module in slot 1 of the frame
- Local display of signal strength, link parameters and link status
- Optical output available in 1310nm, 1550nm and up to sixteen CWDM wavelengths (ITU-T G.694.2 compliant)

- DWDM wavelengths (ITU-T G.694.1 compliant) also available
- Supports single-mode and multi-mode fiber optic cable (contact factory for multi-mode applications)
- Fully hot-swappable from front of frame
- SC/PC, ST/PC or FC/PC connector options

### Status Indication

- Frame status
- Fiber link indication
- 10/100 speed indication
- Ethernet full duplex/collision indication
- Ethernet link activity
- T1/E1/J1 signal presence
- T1/E1/J1 Indication
- Optical power level



### Specifications

#### Ethernet Input/Output:

Standard : IEEE 802.3 (10 BaseT), IEEE 802.3u (100 BaseTX)  
 Connector: 1 RJ45  
 Cable Requirements:  
 10 BaseT: UTP category 3,4 or 5 cable up to 328ft/100m (2 pairs)  
 100 BaseTX: UTP category 5 cable up to 328ft/100m (2 pairs)

#### T1/E1/J1 Input/Output:

Standard: G.703  
 Connector: 1 RJ45  
 Cable Requirements: 0.63mm (22 AWG) cable up to 1000m

#### Optical Input/Output:

Connector:  
 Single Fiber: 1 Female SC/PC, ST/PC or FC/PC  
 Dual Fiber (F2): 2 Female SC/PC, ST/PC or FC/PC  
 Max. Input Power: 0dBm  
 Input Wavelength: 1270nm-1610nm  
 Optical Sensitivity:  
 WDM (-w version) -27dBm  
 Standard: -29dBm  
 Wavelengths:  
 Standard: 1310nm, 1550nm  
 CWDM: 1270nm - 1610nm  
 DWDM: C-Band (ITU-T G.694.1 compliant)  
 Output Power:  
 1310nm FP: -7dBm ±1dBm  
 1310nm (-W): -9dBm ±1dBm  
 1550nm (-W): -1dBm ±1dBm  
 1550nm, CDWM (DFB): 0dBm ± 1dBm  
 DWDM (DFB): +7dBm ± 1dBm

#### Electrical:

Voltage: 12V DC  
 Power:  
 Non-DWDM: 6W  
 DWDM: 8W

#### Physical (number of slots):

350FR: 1  
 7700FR-C: 1  
 7800FR: 1

#### Compliance:

Laser Safety: Class 1 laser product  
 Complies with 24 CFR 1040.10 and 1040.11  
 IEC 60825-1  
 Complies with FCC Part 15, Class A  
 EU EMC Directive

Ordering Information

<b>7707ET13-TE1-W</b>	Ethernet & T1/E1/J1 Fiber Transceiver, single fiber, WDM, 1310nm FP TX, RX on 1550nm, VistaLINK®
<b>7707ET15-TE1-W</b>	Ethernet & T1/E1/J1 Fiber Transceiver, single fiber, WDM, 1550nm DFB TX, RX on 1310nm, VistaLINK®
<b>7707ET13-TE1-F2</b>	Ethernet and T1/E1/J1 Fiber Transceiver, Dual Fiber, 1310 nm, FP Laser, VistaLINK®

*For CWDM, please refer to the end of the fiber section for ordering information*

<b>7707ETxx-TE1-F2</b>	Ethernet and T1/E1/J1 Fiber Transceiver, Dual Fiber, CWDM, DFB Laser, VistaLINK®
------------------------	--

*For DWDM, please refer to the end of the fiber section for ordering information*

<b>7707ETDxxx-TE1-F2</b>	Ethernet & T1/E1/J1 Fiber Transceiver, dual fiber, DWDM TX, VistaLINK®
--------------------------	--

**Ordering Options** Rear Plate and Fiber Connector must be specified at time of order (Eg: Model +SC +3RU)

**Rear Plate Suffix**  
**+3RU** 3RU Rear Plate for use with 350FR, 7700FR-C or 7800FR Multiframe

**+1RU** 1RU Rear Plate for use with 7701FR Multiframe  
**+SA** Standalone Enclosure Rear Plate

**Connector Suffix**  
**+SC** SC/PC  
**+ST** ST/PC  
**+FC** FC/PC  
**+AP+SC** SC/APC (Angle Polished)  
**+AP+FC** FC/APC (Angle Polished)

**Enclosures**  
**350FR** 3RU Portable Multiframe which holds up to 7 single slot modules  
**7700FR-C** 3RU Multiframe which holds up to 15 single slot modules  
**7800FR** 3RU Multiframe which holds up to 15 single slot modules  
**7801FR** 1RU Multiframe which holds up to 4 single or 2 dual slot modules  
**7701FR** 1RU Multiframe which holds up to 3 single or dual slot modules  
**S7701FR** Standalone Enclosure