

7706LT

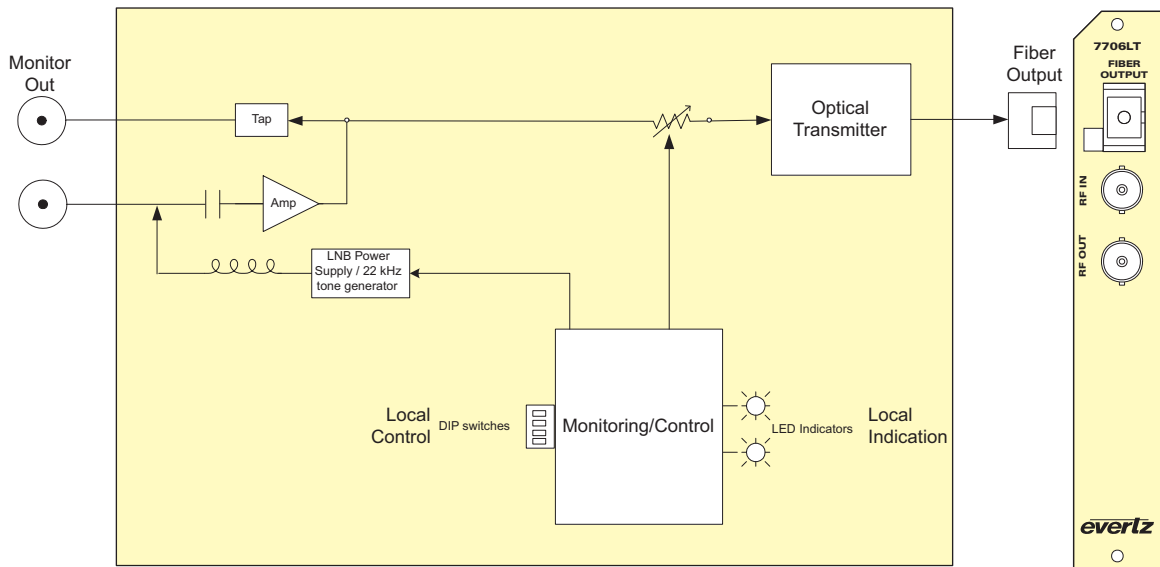
Extended L-Band RF Fiber Transmitter

The 7706LT is a fiber optic transmitter for RF signals in the extended L-Band or wider frequency range. It accepts a single RF input on coaxial cable and provides a single output for optical transmission. An RF monitor output provides a convenient means of obtaining peak satellite signal strength, or additional signal distribution.

Gain may be adjusted manually or managed automatically via AGC. 13/17V DC adjustable LNB power with 22kHz tone is also provided.

Features & Benefits

- Extended frequency response for L-Band signals
- Protocol independent design - transports all modulation formats
- LNB power with selectable 13/17V DC
- LNB current limit & short circuit protection
- 22kHz tone on/off for LNB local oscillator control
- RF monitor output for signal peaking and signal distribution
- Manual gain and AGC modes for tuning optimal CNR performance
- Fiber link provides electrical isolation between antenna and facility, mitigating ground loop and lightning issues
- The 7706LT occupies one card slot and can be housed in a 1RU frame that will hold up to three modules, a 3RU frame that will hold up to 15 modules, a 350FR that will hold up to seven modules or a standalone enclosure which, holds one module



Specifications

<p>RF Input: Number of Inputs: 1 Connector: BNC per IEC 61169-8 Annex A (F-Type and SMA Optional) Input Impedance: 75Ω (50Ω Optional) Return Loss: > 15dB (>10dB for 50Ω) Frequency Range: 850MHz-2250MHz Input Power Range: -10dBm to -60dBm AGC Gain Range: -10 to +30dB Input IP3: LNB Power: Voltage: 13V DC, 17V DC, off (selectable) Current: 400mA Protection: Short Circuit, current limited LO Control: 22kHz on/off (selectable)</p>	<p>RF Monitor Output: Number of Outputs: 1 Connector: BNC per IEC 61169-8 Annex A (F-Type and SMA Optional) Output Impedance: 75Ω (50Ω Optional) Return Loss: > 15dB (>10dB for 50Ω) Frequency Range: 850MHz to 2250MHz Output Level: within -2.0dB of input signal</p> <p>Optical Output: Number of Outputs: 1 Connector: Female FC/UPC, ST/UPC, FC/UPC, SC/APC, FC/APC Operating Wavelength: 1310nm DFB Output Power: +2dBm</p> <p>RF System Performance 7706LT13+7706LRA pair: Frequency Range: 850MHz-2250MHz Flatness: ±1.5dB</p>	<p>Electrical: Voltage: +12V DC Power: 6W max excluding LNB Power</p> <p>Physical (number of slots): 350FR: 1 7700FR-C: 1 7800FR: 1</p> <p>Compliance: Laser safety: Class 1 laser product Complies with 24 CFR 1040.10 and 1040.11 IEC 60825-1 Complies with FCC Part 15, Class A EU EMC directive</p> <p>EMI/RFI:</p>
---	---	--

Ordering Information

7706LT13	Extended L-Band RF Fiber Transmitter, 1310nm DFB laser
7706LT13-B50	Extended L-Band RF Fiber Transmitter, 1310nm DFB laser, 50Ω BNC Connectors
7706LT13-S50	Extended L-Band RF Fiber Transmitter, 1310nm DFB laser, 50Ω SMA Connectors

Rear Plate Suffix	
+3RU	3RU Rear Plate for use with 350FR, 7700FR-C or 7800FR Multiframe
+1RU	1RU Rear Plate for use with 7701FR Multiframe
+SA	Standalone Enclosure Rear Plate

Ordering Options Rear Plate and Fiber Connector must be specified at time of order (Eg. Model +3RU +SC)

Connector Suffix	
+SC	SC/UPC
+AP+SC	SC/APC (Angle polished)
+ST	ST/UPC
+FC	FC/UPC
+AP+FC	FC/APC (Angle polished)
+F75	75Ω, F-Type rear connector

Enclosures	
350FR	3RU Portable Multiframe which holds up to 7 single slot modules
7700FR-C	3RU Multiframe which holds up to 15 single slot modules
7800FR	3RU Multiframe which holds up to 15 single slot modules
7801FR	1RU Multiframe which holds up to 4 single or 2 dual slot modules
S7701FR	Standalone Enclosure

Note: 75Ω BNC Connectors are standard
For companion receiver see the 7706LR catalog page

<http://www.SatelliteDish.com> 954-941-8883