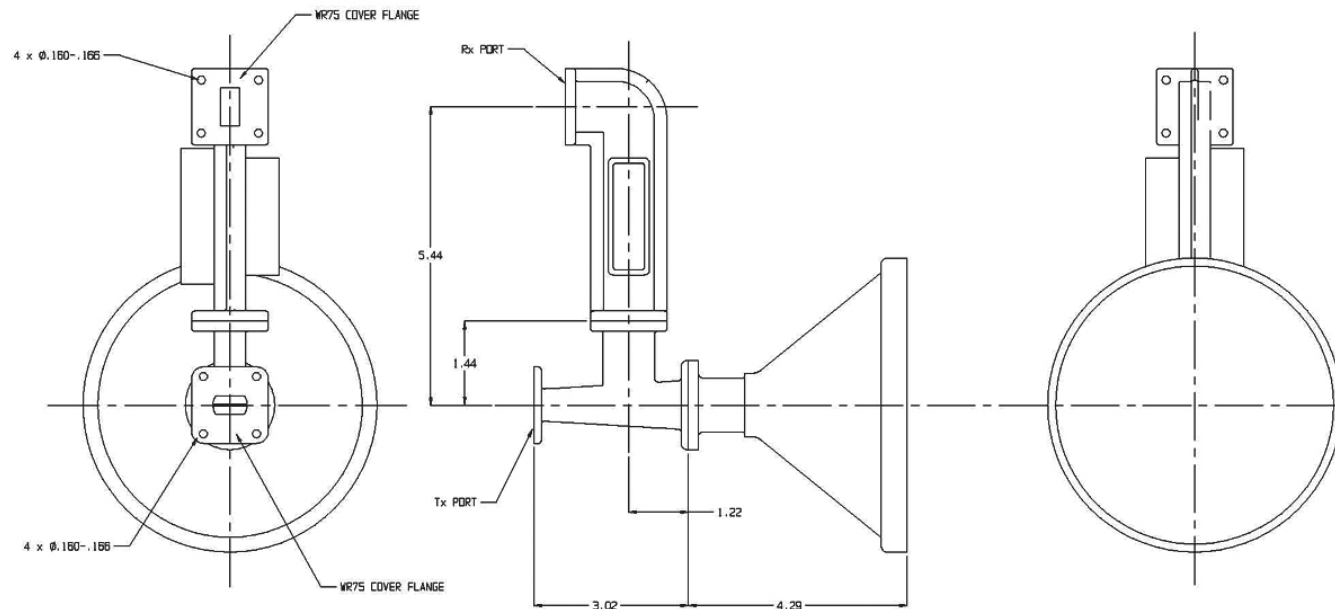


39 Degree Horn/OMT/Transmit Reject Filter

Specifications

Frequency	Rx	10.95 - 12.75 GHz
	Tx	13.75 - 14.5 GHz
Port-to-Port Isolation	Rx	35 dB Min.
	Tx	65 dB Min. @ 13.75 - 14.0 GHz
	Tx	75 dB Min. @ 14.0 - 14.5 GHz
Insertion Loss	Rx	0.4 dB Max
	Tx	0.2 dB Max
Return Loss	Rx	14.0 dB Min.
	Tx	17.7 dB Min.
Cross-Pol Isolation	Rx	>30 dB
	Tx	>35 dB
Power		3 KW CW



GENERAL DYNAMICS
SATCOM Technologies

1500 Prodelin Drive ■ Newton, NC 28658 ■ Tel 828-464-4141 ■ Fax 828-466-0860 ■ www.gdsatcom.com