

9 8 7 6 5 4 3 2 1

ELECTRICAL SPECIFICATIONS

FREQUENCY BAND Rx: 19.2 - 21.2 GHz
Tx: 29.0 - 31.0 GHz

INSERTION LOSS Rx: 0.50 dB MAX AT 19.20-20.20 GHz
0.45 dB MAX AT 20.20-21.20 GHz
Tx: 0.40 dB MAX

VSWR Rx: 1.25:1 MAX
Tx: 1.25:1 MAX

ISOLATION Tx/Rx: 85 dB MIN
Rx/Tx: 85 dB MIN
Tx/ Tx: 20 dB MIN
Rx/Rx: 20 dB MIN

AXIAL RATIO Rx: 1.21 dB MAX AT 19.2 to 19.7 GHz
0.75 dB MAX AT 19.7 to 21.2 GHz
0.50 dB MAX AT 20.2 to 21.2 GHz
Tx: 0.75 dB MAX AT 29.0 to 30.0 GHz
0.50 dB MAX AT 30.0 to 31.0 GHz

MECHANICAL SPECIFICATIONS

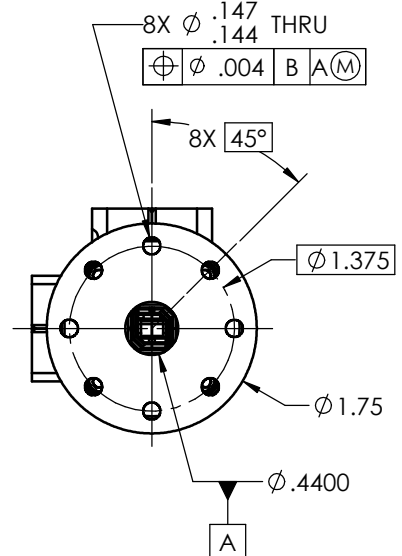
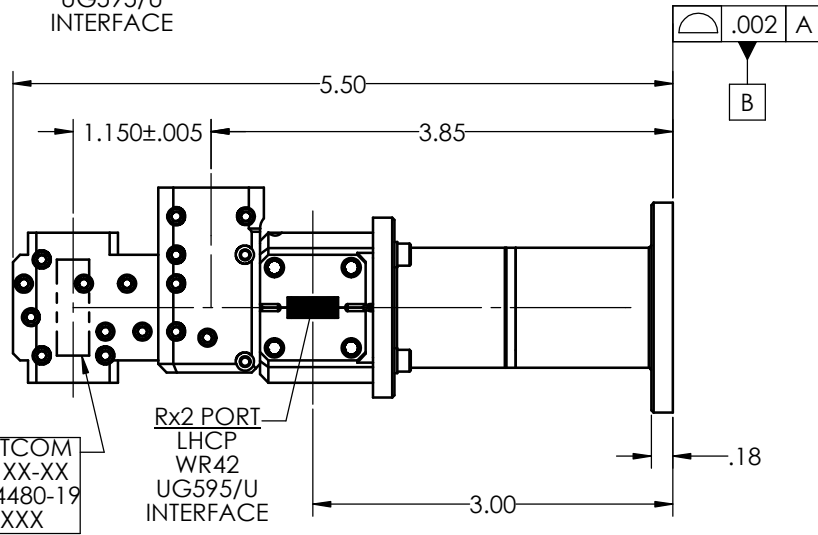
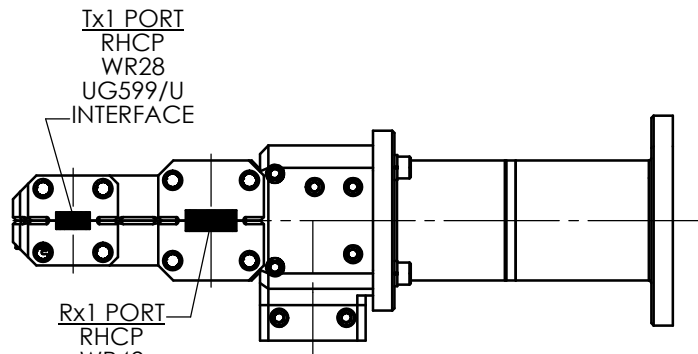
POWER HANDLING : 500 W PER Tx PORT (1.0 kW TOTAL)

PRESSURIZATION : SEALED TO 5.0 PSIG

FINISH INTERIOR & FLANGE FACES : CHROMATE CONVERSION COATED (PER MIL-DTL-5541F, TYPE II, CLASS 1)

EXTERIOR : WHITE PAINT, COLOR № 17875 PER FED- STD-595

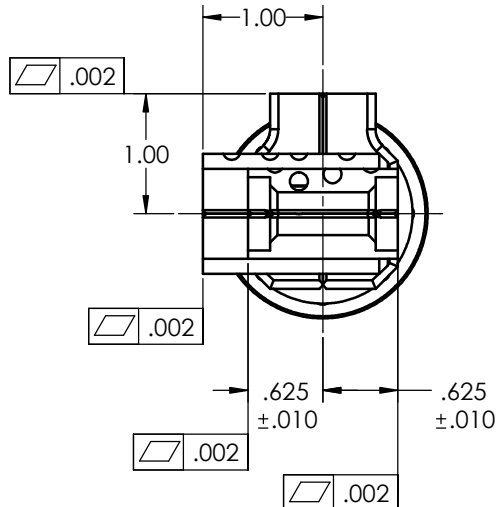
REVISIONS				
ZONE	REV.	DESCRIPTION	DATE	APPROVED
	A	INITIAL RELEASE	5/28/2014	



GD SATCOM
50478 XX-XX
P/N 114480-19
S/N XXX

Tx2 PORT
LHCP
WR28
UG599/U
INTERFACE

4X M3X0.5 X 1 Ø LG
HELICAL INSERT
4 PL



UNLESS OTHERWISE SPECIFIED INTERPRET DIMENSIONING AND TOLERANCING PER ANSI Y14.5 M-2009. DIMENSIONS ARE IN INCHES. DIMENSIONS SHOWN IN () ARE FOR REFERENCE ONLY. TOLERANCES ARE: SURFACE- .XX ±.01 .XXX ±.002 .XXXX ±.0010 ANGLES ±0°30'	APPROVALS	DATE
	DRAWN: L. Tovalin	05-12-14
	CHECKED:	
	RF-ENG:	
	MFG-ENG:	
	ENG-MGR:	
THIRD ANGLE PROJECTION	MATERIAL:	
	Export or re-export subject to 15 CFR 700 - 799	

GENERAL DYNAMICS PROPRIETARY			
GENERAL DYNAMICS SATCOM Technologies			
3111 Fujita Street, Torrance CA 90505, (310) 539-6704			
Ka-BAND 4-PORT, CIRCULAR POLARIZED			
SIZE C	FSCM № 50478	DWG № 114480-19	REV A
SCALE: 5:4	SHEET 1		

NOTES: UNLESS OTHERWISE SPECIFIED.

9 8 7 6 5 4 3 2 1