

# ELECTRICAL SPECIFICATIONS

<b>FREQUENCY BAND</b>	Rx: 19.2 - 21.2 GHz Tx: 29.0 - 31.0 GHz
<b>INSERTION LOSS</b>	Rx: 0.50 dB MAX AT 19.20-20.20 GHz 0.35 dB MAX AT 20.20-21.20 GHz Tx: 0.40 dB MAX
<b>VSWR</b>	Rx: 1.25:1 MAX Tx: 1.25:1 MAX
<b>ISOLATION</b>	Tx/Rx: 85 dB MIN Rx/Tx: 85 dB MIN Tx/ Tx: 20 dB MIN Rx/Rx: 20 dB MIN
<b>AXIAL RATIO</b>	Rx: 1.21 dB MAX AT 19.2 to 19.7 GHz 0.75 dB MAX AT 19.7 to 21.2 GHz 0.50 dB MAX AT 20.2 to 21.2 GHz Tx: 0.75 dB MAX AT 29.0 to 30.0 GHz 0.50 dB MAX AT 30.0 to 31.0 GHz

# MECHANICAL SPECIFICATIONS

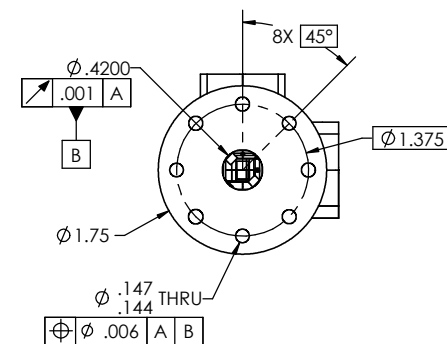
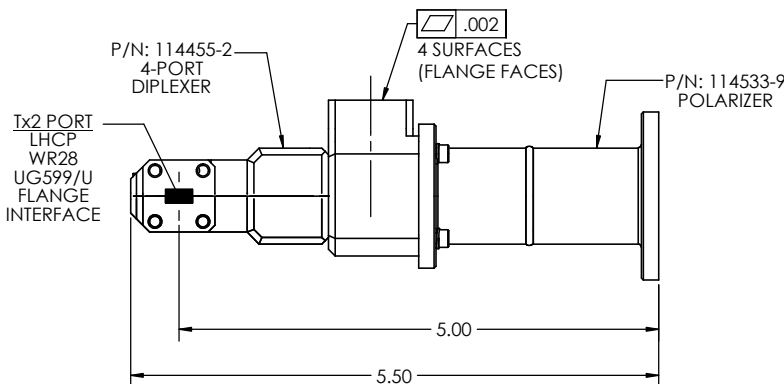
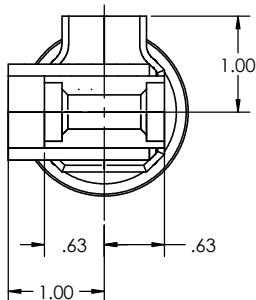
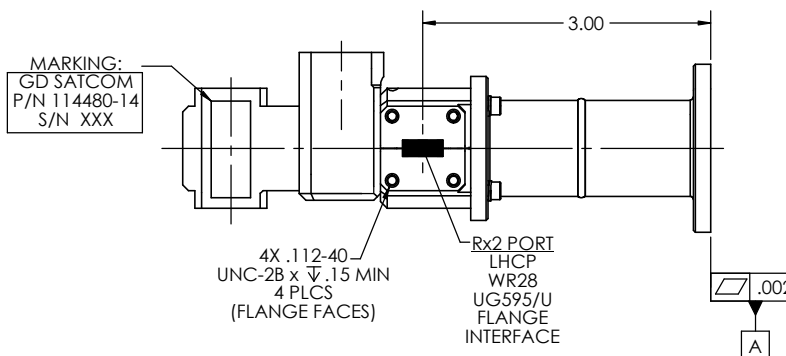
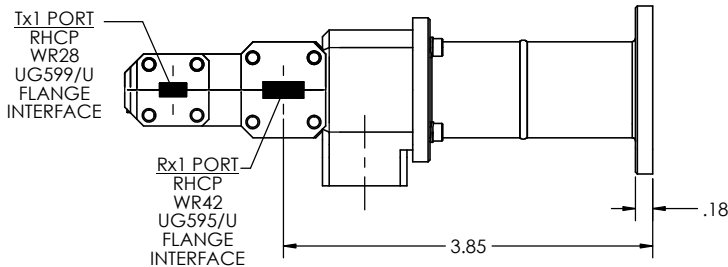
**POWER HANDLING** : 500 W PER Tx PORT (1 kW TOTAL)

**PRESSURIZATION** : SEALED TO 5.0 PSIG

**FINISH INTERIOR & FLANGE FACES** : CHROMATE CONVERSION COATED PER MIL-DTL-5541F, TYPE II, CLASS 1A  
**EXTERIOR** : WHITE PAINT, COLOR No 17875 PER FED- STD-595

## REVISIONS

REV.	DESCRIPTION	DATE	APPROVED
-	INITIAL RELEASE	24JUN13	
A	SEE EC No 13141	7/3/2014	



UNLESS OTHERWISE SPECIFIED  
 INTERPRET DIMENSIONING & TOLERANCING PER ANSI Y14.5M-1992. DIMENSIONS ARE IN INCHES. DIMENSIONS SHOWN IN ( ) ARE FOR REFERENCE ONLY. TOLERANCES ARE:  
 SURFACE- TOLERANCES-  
 .XX ±.01  
 .XXX ±.002  
 .XXXX ±.0010  
 ANGLES ±0°30'

APPROVALS	DATE
DRAWN: A. BACA	24JUN13
CHECKED:	
ENGR:	
MFG:	
QA:	
<b>EAR CONTROLLED:</b>	
Export or re-export subject to 15 CFR 700 - 799	

GENERAL DYNAMICS PROPRIETARY  
**GENERAL DYNAMICS SATCOM Technologies**  
 3111 Fujita Street, Torrance CA 90505, (310) 539-6704  
**Ka-BAND 4-PORT DIPLEXER, C.P.**

SIZE C	FSCM No. 50478	DWG No. 114480-14	REV A
SCALE: 1:1	SHEET 1 of 2		

NOTES: UNLESS OTHERWISE SPECIFIED.