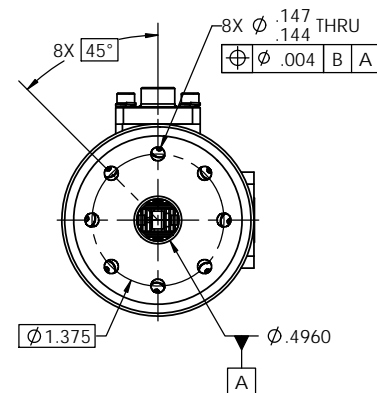
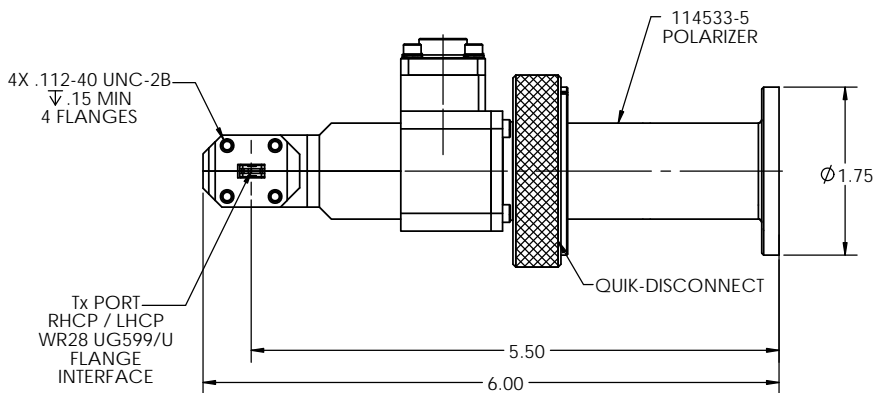
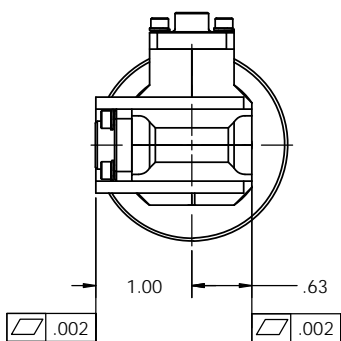
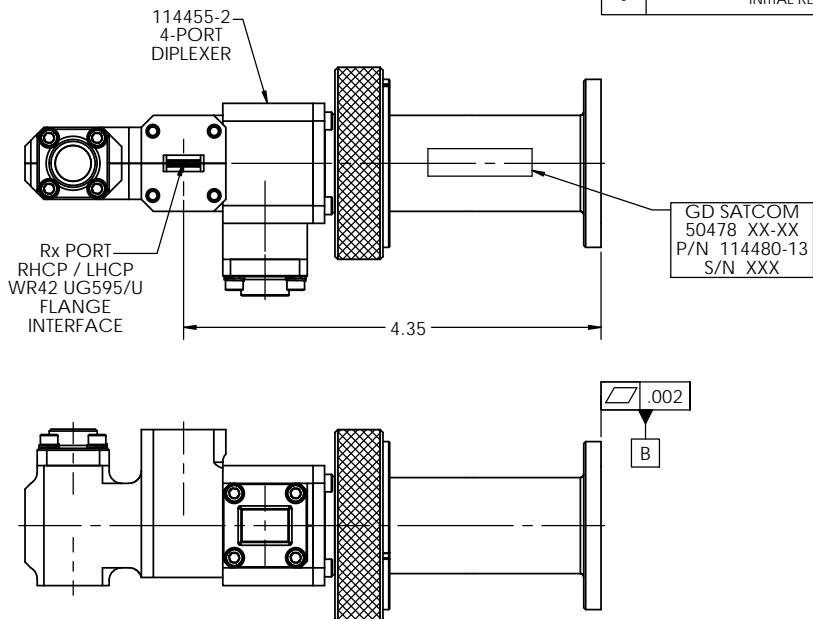


**SPECIFICATIONS**

<b>FREQUENCY BAND</b>	Rx: 19.2 - 21.2 GHz Tx: 29.0 - 31.0 GHz
<b>INSERTION LOSS</b>	Rx: 0.50 dB MAX @ 19.2 - 20.2 GHz : 0.35 dB MAX @ 20.2 - 21.2 GHz Tx: 0.40 dB MAX
<b>VSWR</b>	Rx: 1:25:1 MAX Tx: 1:25:1 MAX
<b>ISOLATION</b>	Tx/Rx: 85 dB MIN Rx/Tx: 85 dB MIN
<b>AXIAL RATIO</b>	Rx: 1.21 dB MAX @ 19.2 - 19.7 GHz : 0.75 dB MAX @ 19.7 - 21.2 GHz : 0.50 dB MAX @ 20.2 - 21.2 GHz Tx: 0.75 dB MAX @ 29.0 - 30.0 GHz : 0.50 dB MAX @ 30.0 - 31.0 GHz
<b>POWER HANDLING</b>	: 500 W CW
<b>PRESSURIZATION</b>	: SEALED TO 5.0 PSIG
<b>FINISH</b>	
<b>INTERIOR &amp; FLANGE FACES</b>	: CHROMATE CONVERSION COATED PER MIL-DTL-5541, TYPE II, CLASS 1A
<b>EXTERIOR</b>	: WHITE PAINT, COLOR NO. 17875 PER FED-STD-595

REVISIONS			
REV.	DESCRIPTION	DATE	APPROVED
-	INITIAL RELEASE	11JUN13	



NOTES: UNLESS OTHERWISE SPECIFIED.

UNLESS OTHERWISE SPECIFIED INTERPRET DIMENSIONING & TOLERANCING PER ANSI Y14.5M-1992. DIMENSIONS ARE IN INCHES. DIMENSIONS SHOWN IN ( ) ARE FOR REFERENCE ONLY. TOLERANCES ARE: SURFACE- TOLERANCES- XX ±.01 XXX ±.002 XXXX ±.0010 ANGLES ±0°30' ✓ MATERIAL:	APPROVALS DRAWN: A. BACA CHECKED: ENGR: MFG: QA:	DATE 03JUN13	GENERAL DYNAMICS PROPRIETARY <b>GENERAL DYNAMICS SATCOM Technologies</b> 3111 Fujita Street, Torrance CA 90505, (310) 539-6704 <b>Ka-BAND, 2-PORT DIPLEXER, C.P.</b>	
	EAR CONTROLLED: Export or re-export subject to 15 CFR 700 - 799		SIZE C 50478	DWG No. 114480-13
			SCALE: 1:1	REV -
			SHEET 1 of 2	