

ELECTRICAL SPECIFICATIONS

FREQUENCY BAND RX: 17.75 - 19.35 GHZ
TX: 27.55 - 29.15 GHZ

INSERTION LOSS RX: 0.65 dB MAX
TX: 0.50 dB MAX

VSWR RX: 1.25:1 MAX
TX: 1.25:1 MAX

ISOLATION Tx/Rx: 100 dB MIN
Rx/Tx: 100 dB MIN
Tx/ Tx: 20 dB MIN
Rx/Rx: 20 dB MIN

AXIAL RATIO Rx: 1.0 dB MAX
Tx: 1.0 dB MAX

MECHANICAL SPECIFICATIONS

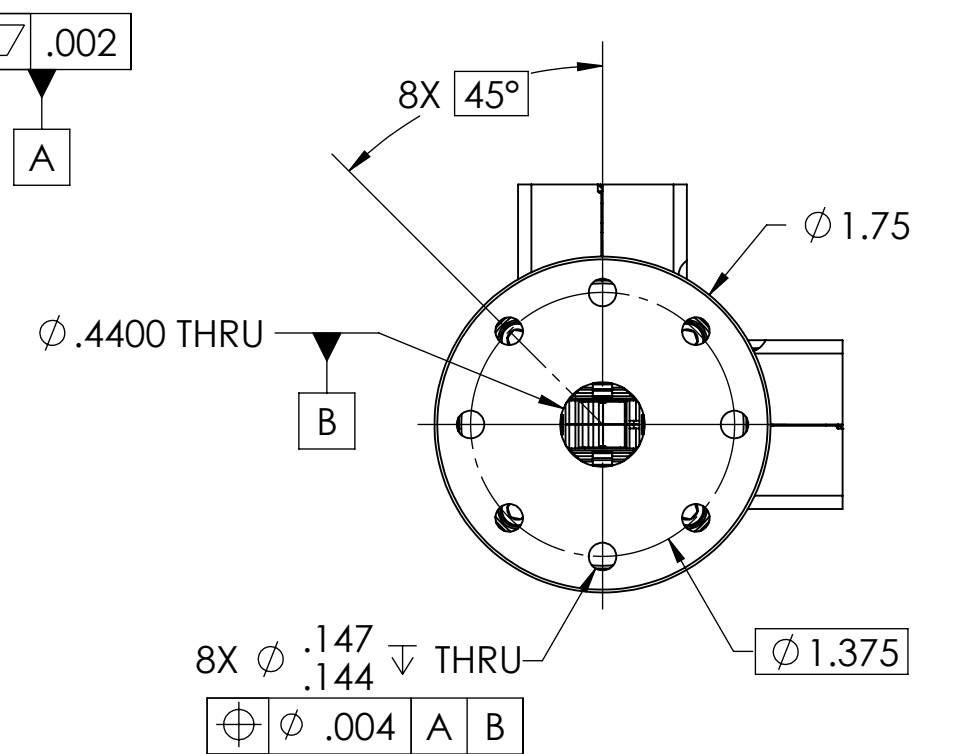
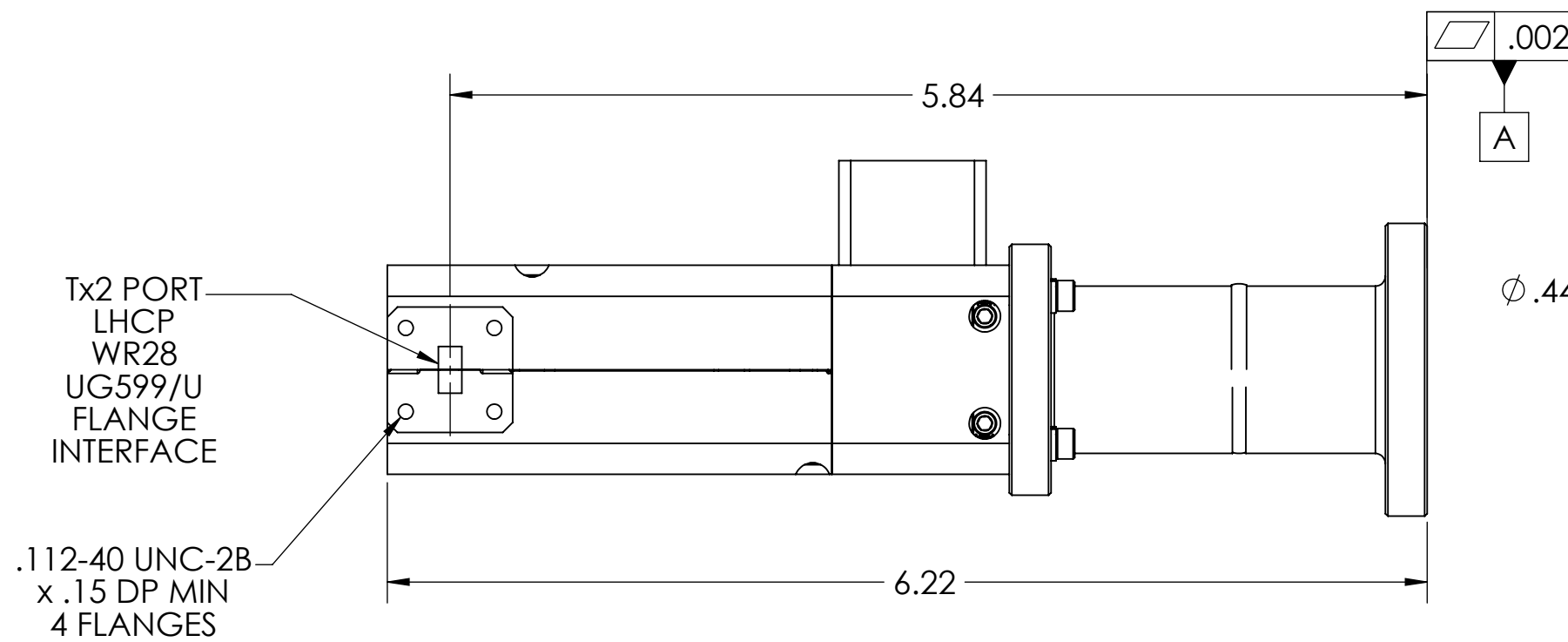
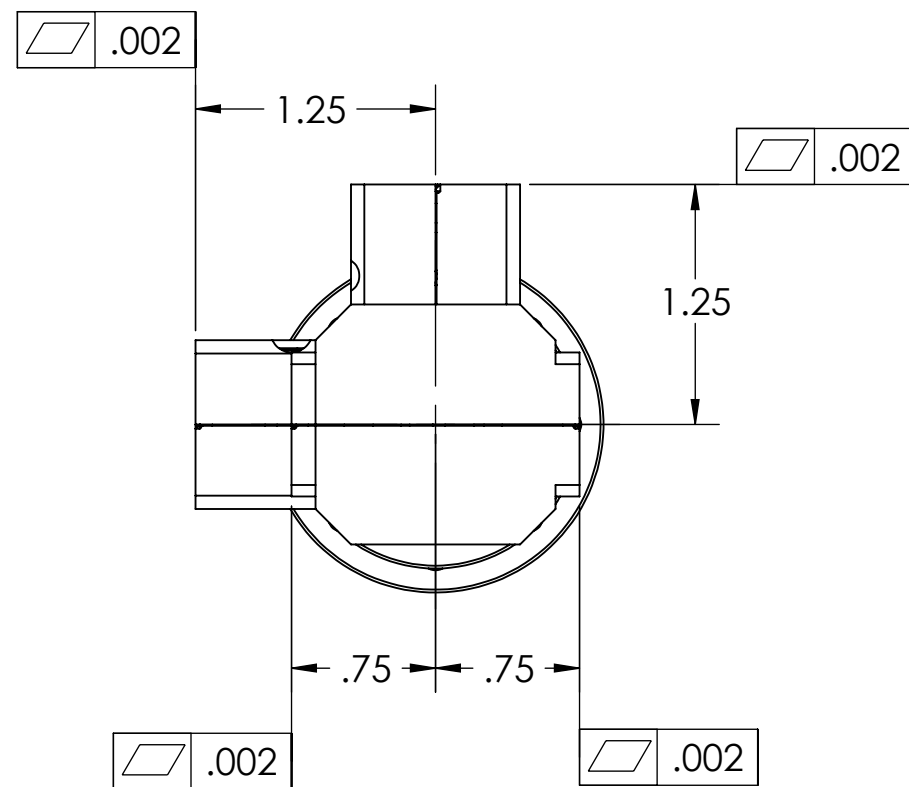
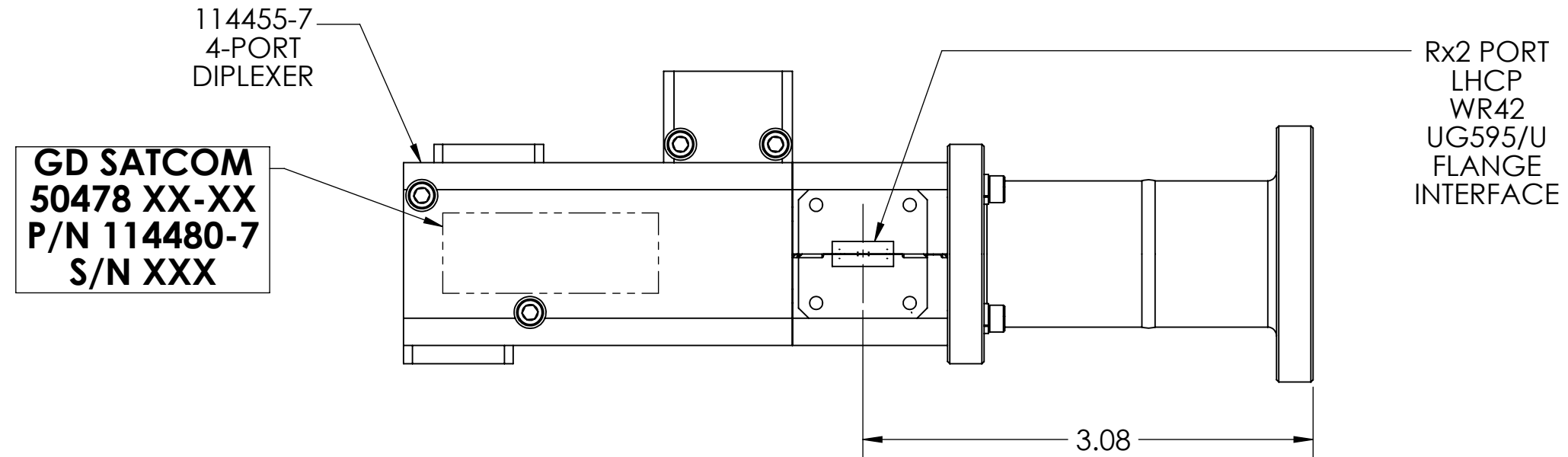
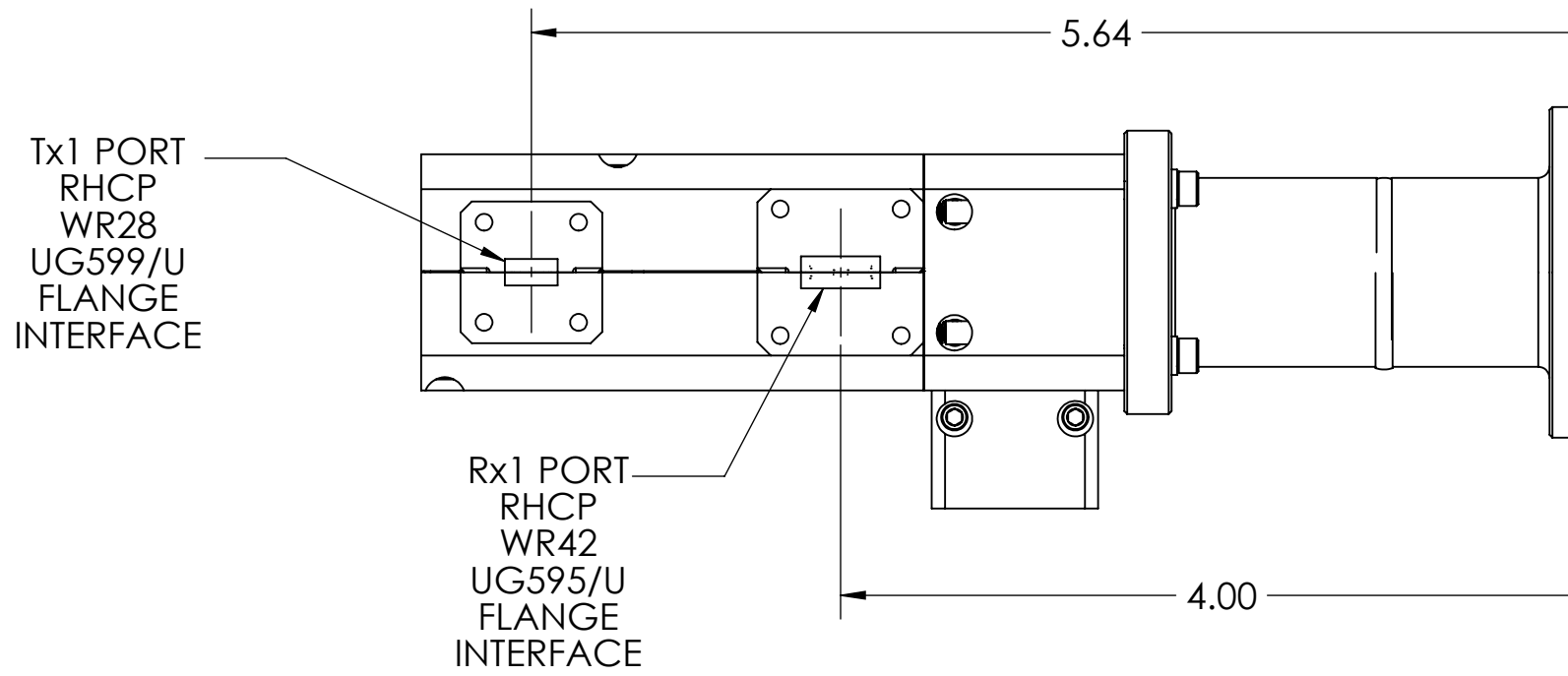
POWER HANDLING: 500 W PER Tx PORT (1 KW TOTAL)

PRESSURIZATION : SEALED TO 5 PSIG

FINISH INTERIOR & FLANGE FACES: CHROMATE CONVERSION COATED PER MIL-DTL-5541F, CLASS 1A

EXTERIOR: WHITE PAINT, COLOR No. 17875 PER FED- STD-595

REVISIONS			
REV.	DESCRIPTION	DATE	APPROVED
-	INITIAL RELEASE	16NOV12	



NOTES: UNLESS OTHERWISE SPECIFIED.

UNLESS OTHERWISE SPECIFIED INTERPRET DIMENSIONING & TOLERANCING PER ANSI Y14.5M-1982. DIMENSIONS ARE IN INCHES. DIMENSIONS SHOWN IN () ARE FOR REFERENCE ONLY. TOLERANCES ARE: SURFACE- TOLERANCES- .XX ±.02 .XXX ±.002 .XXXX ±.0010 ANGLES ±0°30' MATERIAL:	APPROVALS	DATE	GENERAL DYNAMICS PROPRIETARY			
	DRAWN: A. BACA	08NOV12	GENERAL DYNAMICS SATCOM Technologies			
	CHECKED:		3111 Fujita Street, Torrance CA 90505, (310) 539-6704			
	ENGR:		Ka-BAND 4-PORT DIPLEXER, CIRCULAR POLARIZED			
	MFG:		SIZE C	FSCM No. 50478	DWG No. 114480-7	REV -
	QA:		SCALE: 1:1	Wt: 0.80 Lbs	SHEET 1	
	EAR CONTROLLED: Export or re-export subject to 15 CFR 700 - 799					