

SPECIFICATION

FREQUENCY BAND Rx: 4.400 - 4.925 GHz
Tx: 6.600 - 7.100 GHz

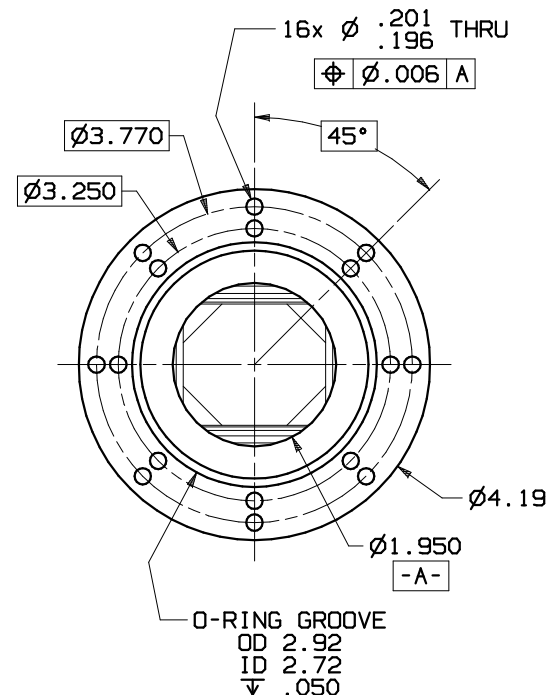
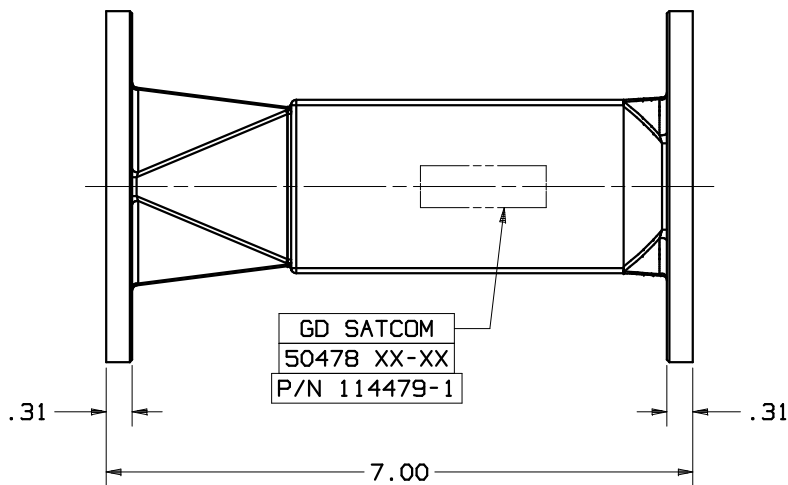
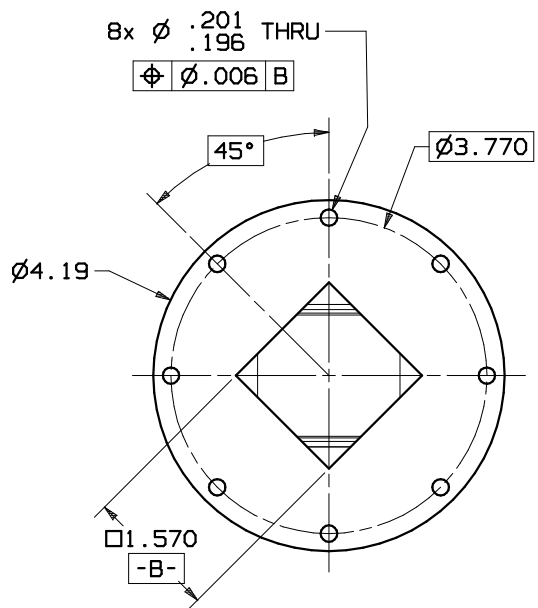
INSERTION LOSS : 0.10 dB MAX
VSWR : 1.20:1 MAX
AXIAL RATIO : 1.20 dB MAX
POWER HANDLING : 5.0 kW CW MIN

PRESSURIZATION: SEALED TO 2.0 PSIG

FINISH
FLANGE FACES: CHROMATE CONVERSION COATED
(PER MIL-DTL-5541F, TYPE II, CLASS 1A)
EXTERIOR: WHITE PAINT, COLOR No 17875
PER FED-STD-595

REVISIONS

REV	DESCRIPTION	EFFECTIVE DATE	APPROVED
A	INITIAL RELEASE		



NOTES: UNLESS OTHERWISE SPECIFIED.

UNLESS OTHERWISE SPECIFIED		APPROVALS	DATE	GENERAL DYNAMICS PROPRIETARY	
INTERPRET DIMENSIONING AND TOLERANCING PER ANSI Y14.5M-2009. DIMENSIONS ARE IN INCHES. DIMENSIONS SHOWN IN () ARE FOR REFERENCE ONLY. TOLERANCES ARE: SURFACE - TOLERANCES - .XX ±.02 .XXX ±.004 .XXXX ±.0010 ANGLES ±0°30'		DRAWN: H. Lim	03-04-13	GENERAL DYNAMICS SATCOM Technologies 3111 Fujita St., Torrance, CA 90505, (310) 539-6704 C-BAND POLARIZER SECTION	
		CHECKED: H.Spieleeder	03-04-13		
		RF-ENG:			
		MFG-ENG:			
THIRD ANGLE PROJECTION		EAR CONTROLLED:		SIZE FSCM No DWG No C 50478 114479-1	
MATERIAL:		Export or re-export subject to 15 CFR 700-799.		SCALE: 7:8 SHEET 1	
		CAST ALY A356		REV A	