

SPECIFICATIONS

FREQUENCY BAND Rx: 19.7 - 21.2 GHz
Tx: 29.5 - 31.0 GHz

INSERTION LOSS Rx: 0.45 dB MAX
Tx: 0.35 dB MAX

VSWR Rx: 1.25:1 MAX
Tx: 1.25:1 MAX

ISOLATION Rx/Tx: 60 dB MIN
Tx/Rx: 85 dB MIN

AXIAL RATIO Rx: 1.00 dB MAX
Tx: 1.00 dB MAX

POWER HANDLING : 500 W CW MIN

APPROX. WEIGHT : 1.0 LBS

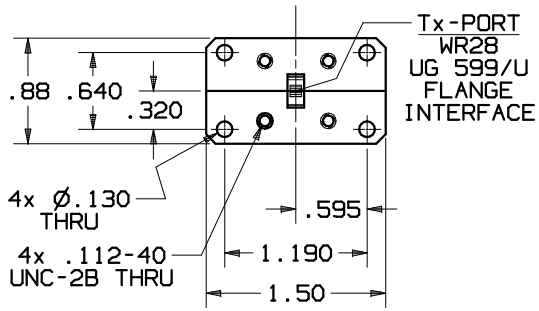
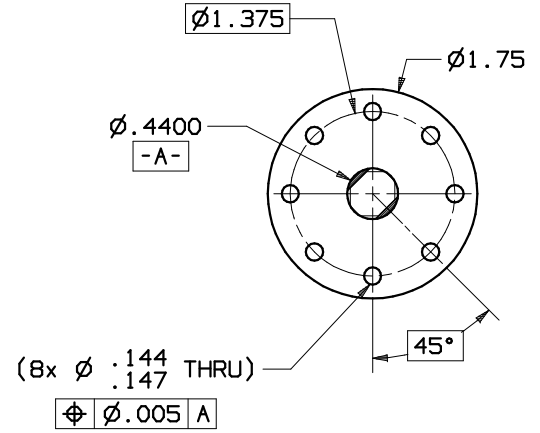
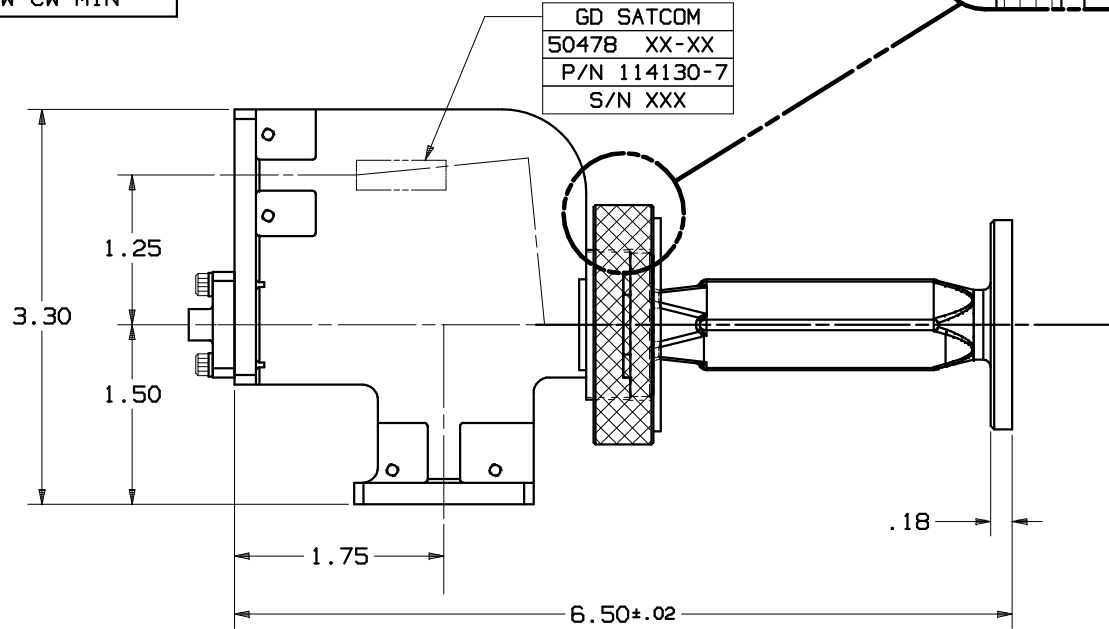
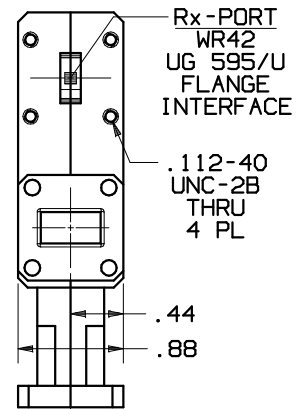
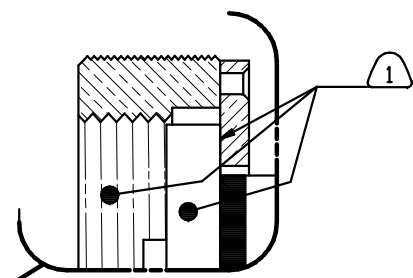
PRESSURIZATION : SEALED TO 5.0 PSIG

FINISH INTERIOR & FLANGE FACES: CHROMATE CONVERSION COATED MIL-DTL-5541F, TYPE II, CLASS 1A

EXTERIOR: WHITE PAINT, COLOR No 17875 PER FED-STD-595

① SURFACES FREE OF PRIMER & PAINT

REVISIONS			
REV	DESCRIPTION	DATE	APPROVED
B	SEE CN 13348	04-02-15	J.KERPAN



NOTES: UNLESS OTHERWISE SPECIFIED.

UNLESS OTHERWISE SPECIFIED		SIGNATURES	DATE	GENERAL DYNAMICS PROPRIETARY	
DIMENSIONS ARE IN INCHES TOLERANCES-		DRAWN: A. BACA	17OCT12	GENERAL DYNAMICS SATCOM Technologies 3111 Fujita St., Torrance, CA 90505, (310) 539-6704	
SURFACE .XX ±.01 .XXX ±.002 .XXXX ±.0010 ANGLES ±0°30'		CHECKED: H. Spieleder	10-17-12		
32		ENGRS:			
MATERIAL:		ENGRS:			
NEXT ASSY:		EAR CONTROLLED:		Ka-BAND 2-PORT, CIRCULAR POLARIZED	
		Export or re-export subject to 15 CFR 700-799.			
SIZE	FSCM No.	DWG No.	REV		
C	50478	114130-7	B		
SCALE: 5:4	SHEET		1		