

SPECIFICATIONS

FREQUENCY BAND : 17.70 - 22.20 GHz

INSERTION LOSS : 0.15 dB MAX

VSWR : 1.20:1 MAX

ISOLATION
 PORT - PORT: 20 dB MIN (CP MODE)
 : 35 dB MIN (LP MODE)

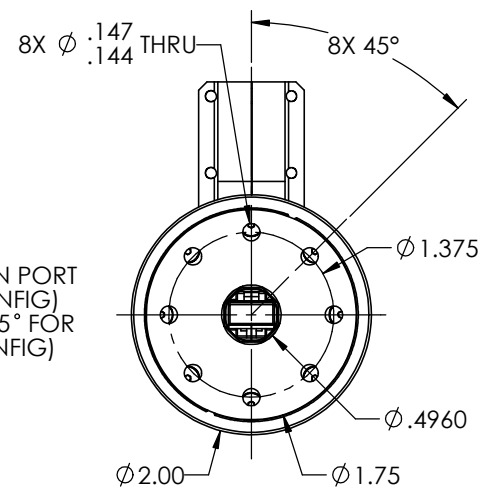
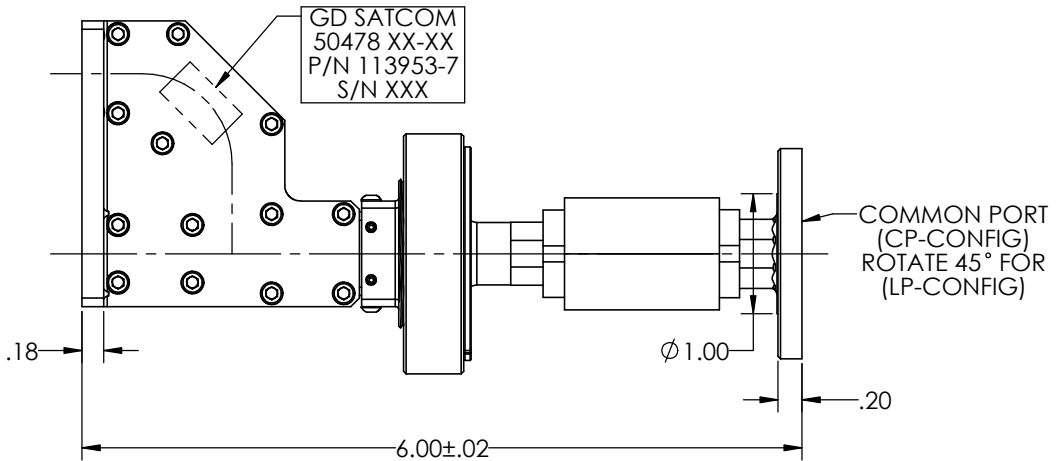
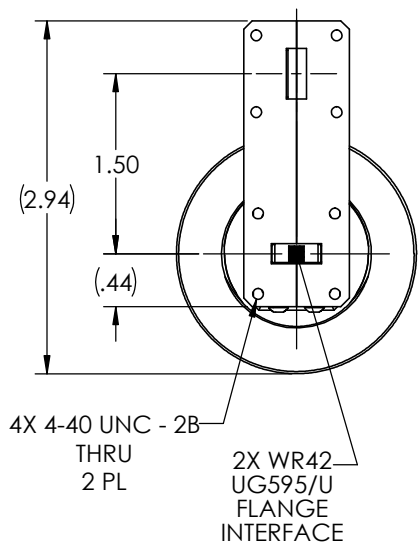
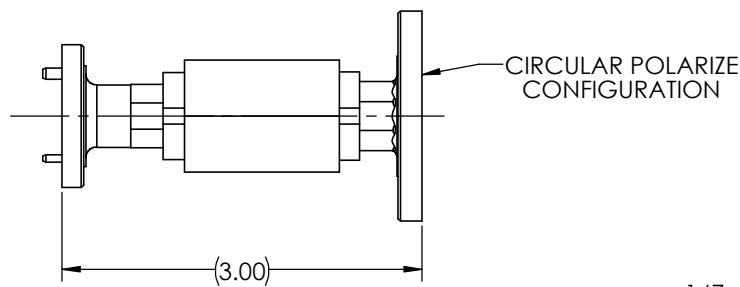
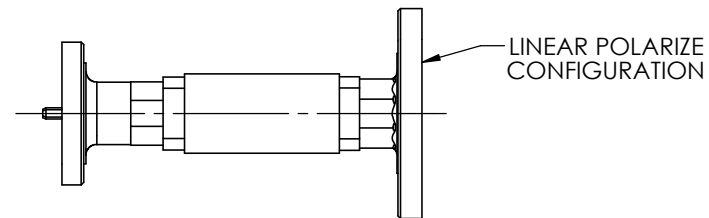
AXIAL RATIO : 0.75 dB MAX (CP MODE)

CROSS-POL : 35 dB MIN (LP MODE)

PRESSURIZATION : SEALED TO 5.0 PSIG

FINISH
 COMMON PORT : ZINC-NICKEL PLATED
 PER AMS 2417G, TYPE II, CLASS 2
 2-PORT : CHROMATE CONVERSION COATED
 PER MIL-DTL-5541F, TYPE II, CLASS 1A
 EXTERIOR : WHITE PAINT, COLOR № 17875 PER
 FED-STD-595

REVISIONS				
ZONE	REV.	DESCRIPTION	DATE	APPROVED
	A	INITIAL RELEASE CN № 13333	2015-3-23	J. Mitchell



1. ELECTRICAL PERFORMANCE VERIFIED INTO A MATCHED LOAD
 NOTES: UNLESS OTHERWISE SPECIFIED.

DO NOT SCALE DRAWINGS		APPROVALS	DATE	GENERAL DYNAMICS PROPRIETARY	
UNLESS OTHERWISE SPECIFIED, INTERPRET DIMENSIONING & TOLERANCING PER ANSI/ASME Y14.5M-2009. DIMENSIONS ARE IN INCHES. DIMENSIONS SHOWN IN () ARE FOR REFERENCE ONLY.		DRAWN: H. Lim	2015-3-24	GENERAL DYNAMICS	
TOLERANCES: TWO PLACE DECIMAL ± .01 THREE PLACE DECIMAL ± .002 FOUR PLACE DECIMAL ± .0010 OR BETTER ANGLES ± 0°30'		CHECKED: see CN	see CN	SATCOM Technologies	
SURFACE FINISH: 32 / OR BETTER		RF DESIGN: see CN	see CN	3111 Fujita Street, Torrance CA 90505, (310) 539-6704	
THIRD ANGLE PROJECTION		ENG: see CN	see CN	TITLE: 2-PORT, K-BAND RxO CP/LP SELECTABLE	
EAR CONTROLLED: Export or re-export subject to 15 CFR 700 - 799		DATE: see CN	see CN	SIZE: C	CAGE CODE: 50478
		PROJECT: see CN	see CN	DWG No: 113953-7	REV: A
				SCALE: 5:4	WEIGHT: 0.946 LB SHEET 1 of 2