

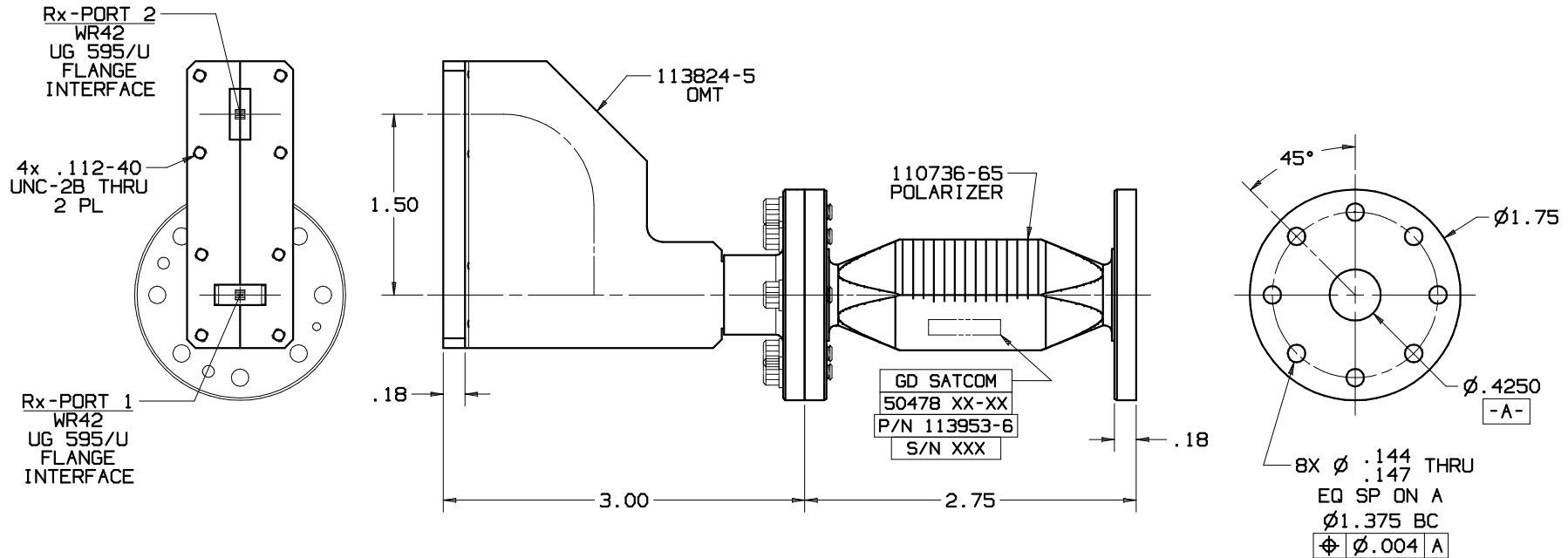
SPECIFICATIONS

FREQUENCY BAND: 19.20- 22.20 GHz
INSERTION LOSS: 0.15 dB MAX
VSWR : 1.25:1 MAX
ISOLATION
PORT TO PORT: 20 dB MIN
AXIAL RATIO : 0.50 dB MAX
 (INTO MATCHED LOAD)

PRESSURIZATION: SEALED TO 5.0 PSIG
FINISH COMMON
PORT FLANGE: ZINC-NICKEL PLATED PER
 AMS-2417G TYPE II, CLASS 2
Rx PORT FLANGE: CHROMATE CONVERSION COATED
 PER MIL-DTL-5541F, CLASS 1A
EXTERIOR: WHITE PAINT, COLOR No 17875
 PER FED-STD-595

REVISIONS

REV	DESCRIPTION	DATE	APPROVED
C	SEE EC No 12802		



UNLESS OTHERWISE SPECIFIED		APPROVALS	DATE	GENERAL DYNAMICS PROPRIETARY	
INTERPRET DIMENSIONING & TOLERANCING PER ANSI Y14.5M-1982. DIMENSIONS ARE IN INCHES. DIMENSIONS SHOWN IN () ARE FOR REFERENCE ONLY. TOLERANCES ARE: SURFACE- TOLERANCES- .XX ±.01 .XXX ±.002 .XXXX ±.0010 ANGLES ±0°30'		DRAWN: TOVALIN	09-06-07	GENERAL DYNAMICS SATCOM Technologies 3111 Fujita St., Torrance, CA 90505, (310) 539-6704 K-BAND 2-PORT, RxO CIRCULAR POLARIZED	
		CHECKED: H.Spieleeder	12-06-09		
		ENGRG:			
		MFG:			
MATERIAL:		EAR CONTROLLED: Export or re-export subject to 15 CFR 700-799.		SIZE: C	FSCM No. 50478
				DWG No. 113953-6	REV C
				SCALE: 3:2	SHEET 1

NOTES: UNLESS OTHERWISE SPECIFIED.