

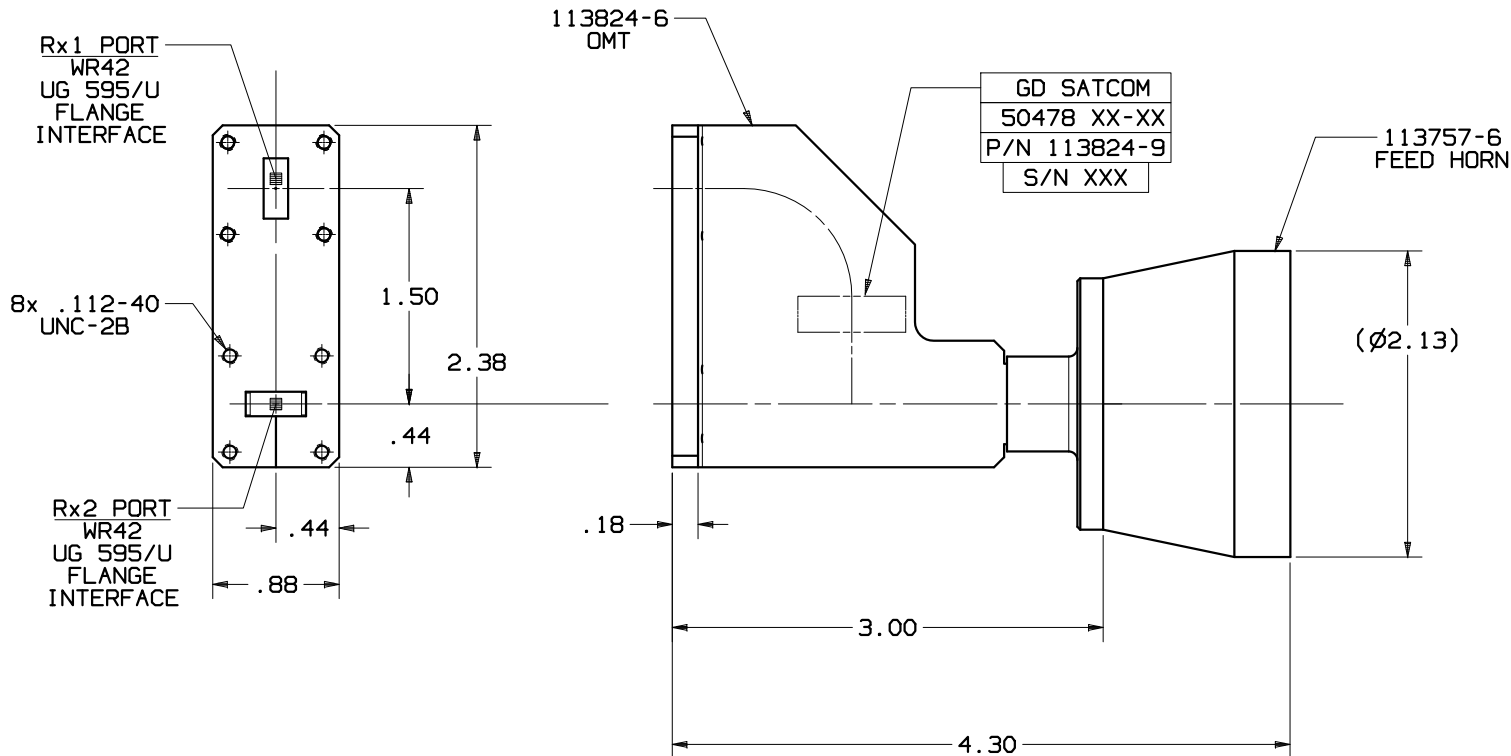
**SPECIFICATIONS**

**REVISIONS**

FREQUENCY BAND: 17.90 - 22.20 GHz  
 INSERTION LOSS: 0.10 dB MAX  
 VSWR : 1.30:1 MAX  
 CROSS POL : 35 dB MIN  
 F/D : 0.6 - 0.8

PRESSURIZATION : SEALED TO 5.0 PSI  
 FINISH INTERIOR  
 FLANGE FACES: CHROMATE CONVERSION COATED PER MIL-DTL-5541F, TYPE II, CLASS 1A  
 EXTERIOR: WHITE PAINT, COLOR No. 17875 PER FED-STD-595

REV	DESCRIPTION	DATE	APPROVED
-	INITIAL RELEASE	08JAN13	



NOTES: UNLESS OTHERWISE SPECIFIED.

UNLESS OTHERWISE SPECIFIED INTERPRET DIMENSIONING & TOLERANCING PER ANSI Y14.5M-1982. DIMENSIONS ARE IN INCHES. DIMENSIONS SHOWN IN ( ) ARE FOR REFERENCE ONLY. TOLERANCES ARE: SURFACE - TOLERANCES - .XX ±.01 .XXX ±.002 .XXXX ±.0010 ANGLES ±0°30' 32 ✓ MATERIAL:	APPROVALS DRAWN: TOVALIN CHECKED: ENGRG: MFG: QA:	DATE 03-23-12	GENERAL DYNAMICS PROPRIETARY <b>GENERAL DYNAMICS SATCOM Technologies</b> 3111 Fujita St., Torrance, CA 90505, (310) 539-6704 <b>K-BAND 2-PORT FEED Rx0, LINEAR POLARIZED</b>		
	EAR CONTROLLED: Export or re-export subject to 15 CFR 700-799.		SIZE C 50478	FSCM No. 113824-9	DWG No. 113824-9
	SCALE: 3:2		SHEET 1	REV -	