

# SPECIFICATIONS

**FREQUENCY BAND** Rx: 10.70 - 12.75 GHz  
Tx: 13.75 - 14.50 GHz  
(BOTH PORTS)

**INSERTION LOSS** : 0.1 dB MAX

**VSWR** : 1.25:1 MAX

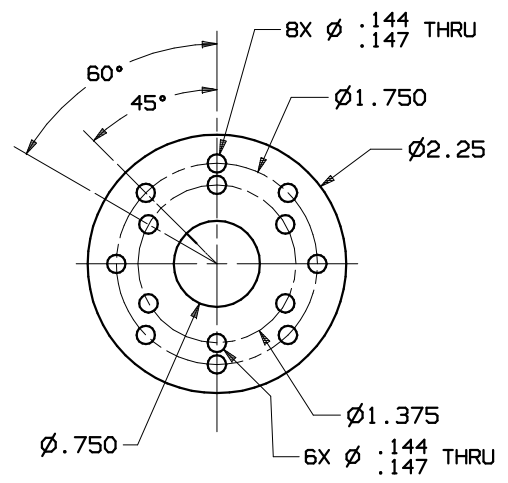
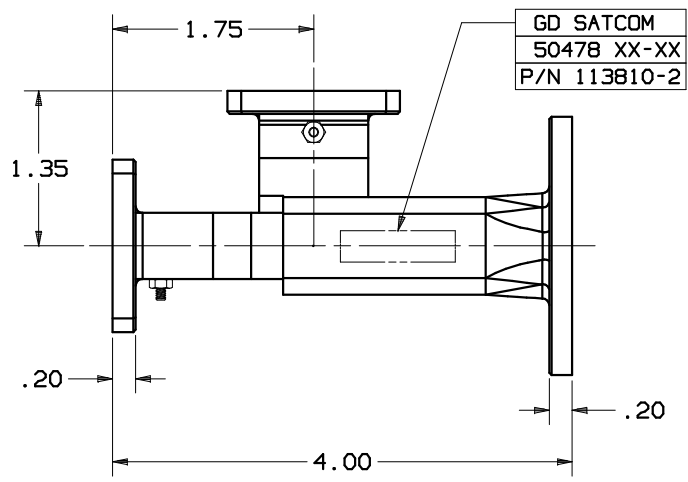
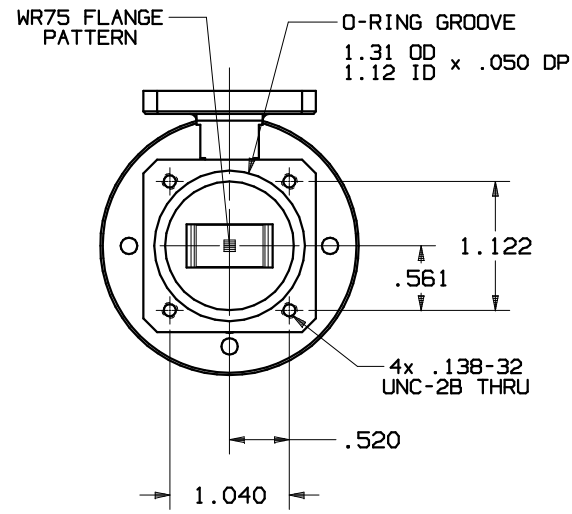
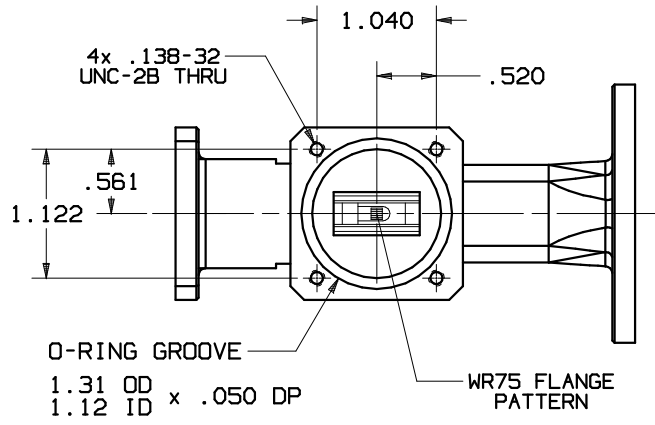
**ISOLATION**  
PORT TO PORT: 35 dB

**CROSS-POL** : 38 dB MIN

**PRESSURIZATION:** SEALED TO 5.0 PSIG

**FINISH**  
FLANGE FACES: CHEM FILM PER MIL-C-5541, CLASS 1A  
EXTERIOR: WHITE PAINT, COLOR #17875 PER FED-STD-595

REVISIONS			
REV	DESCRIPTION	DATE	APPROVED
A	SEE EC No 12688		



NOTES: UNLESS OTHERWISE SPECIFIED.

<p><b>UNLESS OTHERWISE SPECIFIED</b></p> <p>INTERPRET DIMENSIONING &amp; TOLERANCING PER ANSI Y14.5M-1992. DIMENSIONS ARE IN INCHES. DIMENSIONS SHOWN IN ( ) ARE FOR REFERENCE ONLY. TOLERANCES ARE:</p> <table style="width: 100%;"> <tr> <td style="width: 50%;">SURFACE-</td> <td style="width: 50%;">TOLERANCES-</td> </tr> <tr> <td>.XX</td> <td>±.01</td> </tr> <tr> <td>.XXX</td> <td>±.002</td> </tr> <tr> <td>.XXXX</td> <td>±.0010</td> </tr> <tr> <td colspan="2">ANGLES ±0°30'</td> </tr> </table> <p>32 ✓</p> <p>MATERIAL: ALUMINUM ALY 356</p>	SURFACE-	TOLERANCES-	.XX	±.01	.XXX	±.002	.XXXX	±.0010	ANGLES ±0°30'		<p><b>SIGNATURES</b></p> <p>DRAWN: C.G. ORTEGA</p> <p>CHECKED: H. Spieleder</p> <p>ENGRG:</p> <p>MFG:</p>	<p><b>DATE</b></p> <p>01-04-07</p> <p>10-19-08</p>	<p>GENERAL DYNAMICS PROPRIETARY</p> <p><b>GENERAL DYNAMICS</b></p> <p>SATCOM Technologies</p> <p>3111 Fujita St., Torrance, CA 90505, (310) 539-6704</p> <p><b>Ku-BAND OMT, Rx/Tx</b></p> <p><b>10.70-14.50 GHz</b></p>
	SURFACE-	TOLERANCES-											
	.XX	±.01											
	.XXX	±.002											
.XXXX	±.0010												
ANGLES ±0°30'													
<p><b>EAR CONTROLLED:</b></p> <p>Export or re-export subject to 15 CFR 700-799.</p>			<p>SIZE: C</p> <p>FSCM No.: 50478</p> <p>DWG No.: 113810-2</p> <p>SCALE: 3:2</p>										
<p>REVISIONS</p>			<p>REV: A</p> <p>SHEET: 1</p>										
<p>UNLESS OTHERWISE SPECIFIED</p>			<p>REVISIONS</p>										