

SPECIFICATION

FREQUENCY BAND Rx: 7.25 - 7.75 GHz
Tx: 7.90 - 8.40 GHz

INSERTION LOSS Rx: 0.65 dB MAX
Tx: 0.75 dB MAX

VSWR Rx: 1.3:1 MAX
Tx: 1.3:1 MAX

ISOLATION
PORT TO PORT: 120 dB MIN < 7.00 GHz
: 120 dB MIN @ 7.25- 7.75 GHz
: 50 dB MIN @ 7.75- 7.90 GHz
: 90 dB MIN @ 7.90-10.20 GHz

AXIAL RATIO Rx: 0.5 dB MAX
Tx: 0.5 dB MAX

POWER HANDLING: 1.0 kW PER Tx PORT

PRESSURIZATION: SEALED TO 5.0 PSIG

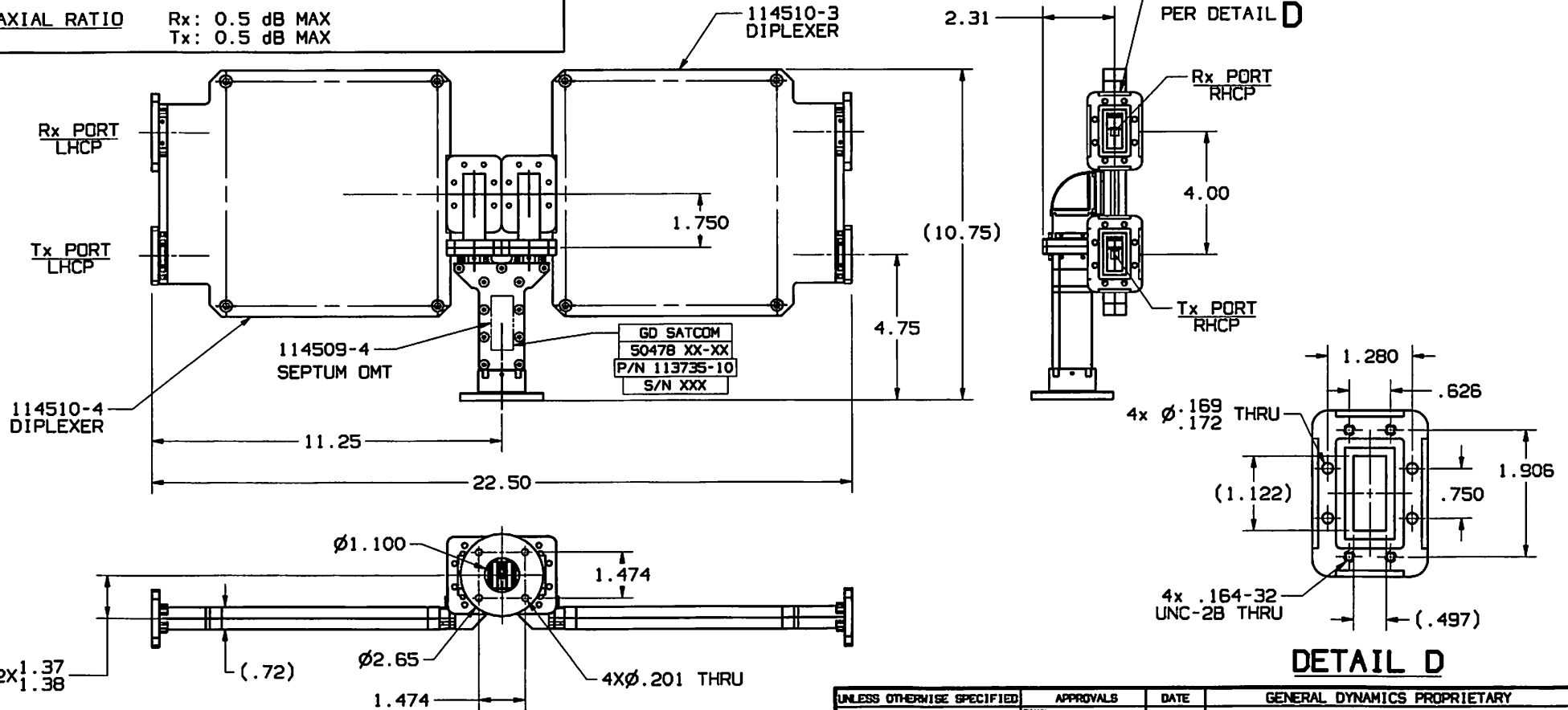
FINISH Rx/Tx
FLANGE FACES: ZINC-NICKEL PLATED PER AMS 2417G, TYPE II, CLASS 2

COMMON PORT
FLANGE FACE: CHROMATE CONVERSION COATED PER MIL-DTL-5541F, CLASS 1A

EXTERIOR: BLACK PAINT, COLOR No 37038 PER FED-STD-595

REVISIONS

REV	DESCRIPTION	DATE	APPROVED
-	DR# 10471 INITIAL RELEASE	05-31-11	



DETAIL D

NOTES: UNLESS OTHERWISE SPECIFIED.

UNLESS OTHERWISE SPECIFIED		APPROVALS	DATE	GENERAL DYNAMICS PROPRIETARY	
INTERPRET DIMENSIONING & TOLERANCING PER ANSI Y14.5M-1992. DIMENSIONS ARE IN INCHES. DIMENSIONS SHOWN IN () ARE FOR REFERENCE ONLY. TOLERANCES ARE:		DR: A. MORA	05-03-11	GENERAL DYNAMICS SATCOM Technologies 3111 Fujita St., Torrance, CA 90505, (310) 539-6704 X-BAND 4-PORT DIPLEXER, CIRCULAR POLARIZED "CONVENTIONAL"	
SURFACE - TOLERANCES -		CHECKED:			
32 ✓		ENGR:			
MATERIAL:		PRG:			
		DA:		SIZE FSCM No DWG No 113735-10 REV - SCALE: 3:8 SHEET 1	
		EAR CONTROLLED: Export or re-export subject to 15 CFR 700-799.			