

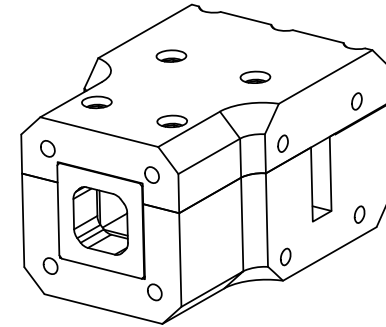
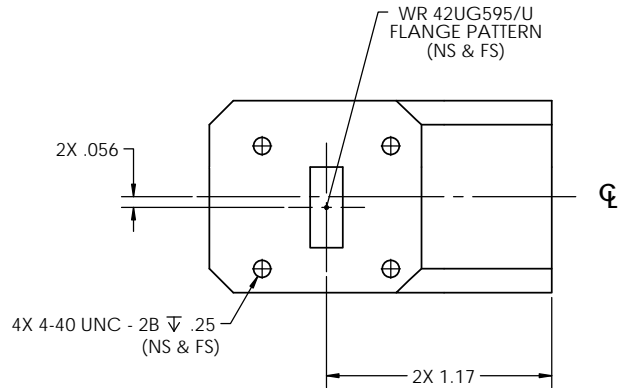
SPECIFICATIONS

FREQUENCY BAND : 21.40 - 25.30 GHz
INSERTION LOSS : 0.15 dB MAX
VSWR : 1.15:1 MAX
ISOLATION : 20.0 dB MIN (INTO MATCHED LOAD)
AXIAL RATIO : 0.75 dB MAX (INTO MATCHED LOAD)

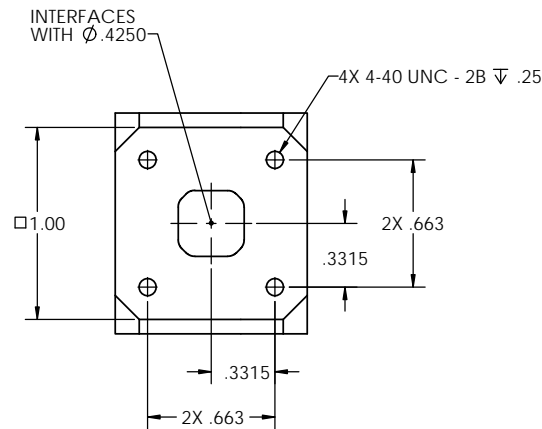
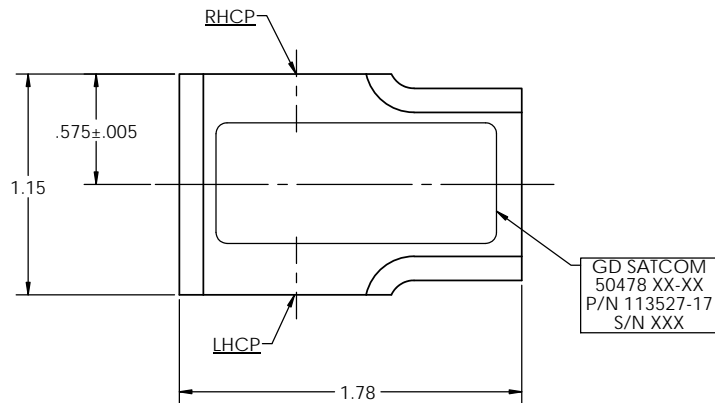
PRESSURIZATION : TESTED TO 5.0 PSIG
FINISH
 FLANGE FACES: CHROMATE CONVERSION COATED
 EXTERIOR: WHITE PAINT, COLOR No. 17875 PER FED-STD-595

REVISIONS

REV.	DESCRIPTION	DATE	APPROVED
-	INITIAL RELEASE	23APR13	



ISOMETRIC VIEW



UNLESS OTHERWISE SPECIFIED

INTERPRET DIMENSIONING & TOLERANCING PER ANSI Y14.5M-1992. DIMENSIONS ARE IN INCHES. DIMENSIONS SHOWN IN () ARE FOR REFERENCE ONLY. TOLERANCES ARE:
 SURFACE- TOLERANCES-
 XX ±.01
 XXX ±.002
 XXXX ±.0010
 ANGLES ±0°30'

MATERIAL:

APPROVALS

DRAWN: A. BACA 23APR13

CHECKED:

ENGR:

MFG:

QA:

EAR CONTROLLED:

Export or re-export subject to 15 CFR 700 - 799

DATE

23APR13

GENERAL DYNAMICS PROPRIETARY

**GENERAL DYNAMICS
 SATCOM Technologies**

3111 Fujita Street, Torrance CA 90505, (310) 539-6704

**HYBRID POLARIZER,
 K-BAND**

SIZE	FSCM No.	DWG No.	REV
C	50478	113527-17	-
SCALE:	2:1	SHEET	1

NOTES: UNLESS OTHERWISE SPECIFIED.