

# SPECIFICATIONS

**FREQUENCY BAND** : 17.70 - 21.20 GHz  
**INSERTION LOSS** : 0.10 dB MAX  
**VSWR** : 1.15:1  
**ISOLATION** : 22 dB MIN (TO MATCHED LOAD)  
**AXIAL RATIO** : 0.50 dB MAX (TO MATCHED LOAD)

**PRESSURIZATION** : SEALED TO 5.0 PSIG  
**FINISH**  
 COMMON PORT : CHROMATE CONVERSION COATED (PER MIL-DTL-5541F, TYPE II, CLASS 1A)  
 LHCP/RHCP PORTS : ZINC-NICKEL PLATED (PER AMS 2417G, TYPE II, CLASS 2)  
 EXTERIOR : WHITE PAINT, COLOR № 17875 PER FED-STD-595

# REVISIONS

ZONE	REV.	DESCRIPTION	DATE	APPROVED
	A	INITIAL RELEASE	4/17/2014	
⊠ B	B	SEE EC № 13154	7/15/2014	

WR42 UG595/U PATTERN  
NEAR AND FAR SIDE

4X 4-40 UNC - 2B  $\nabla$  .20  
NEAR AND FAR SIDE

.0275  
 $\pm$ .0020

RHCP PORT

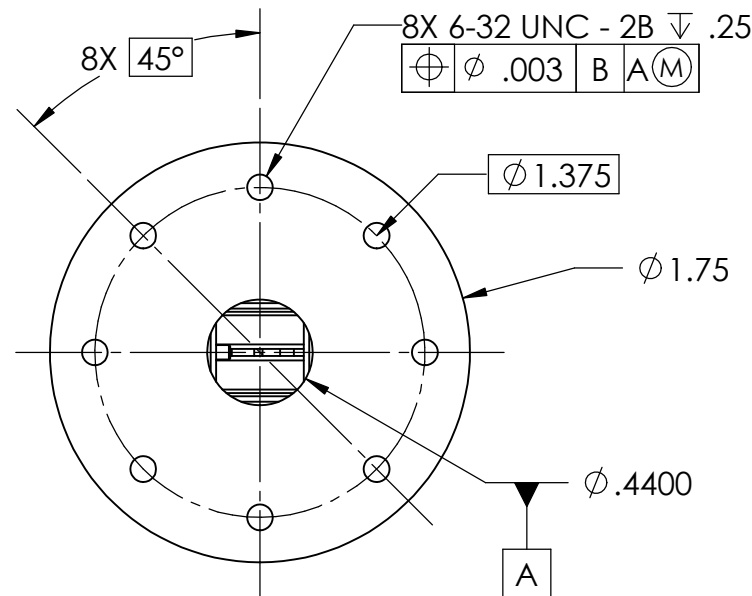
LHCP PORT

.44

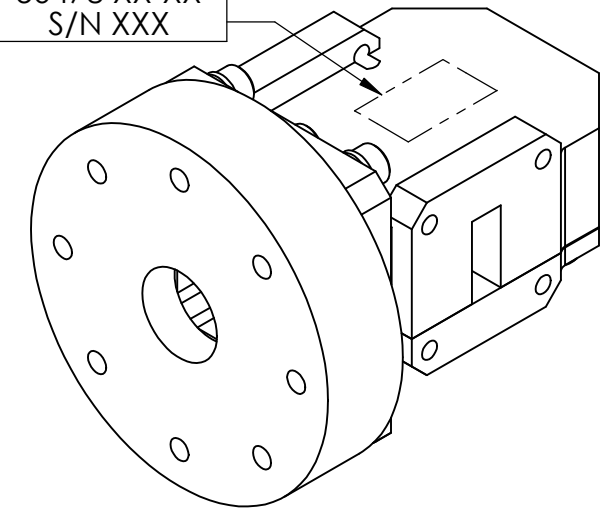
⊠ B 1.183 $\pm$ .010

2.14

⊠ B  
 $\nabla$  .002 A(M)



GD SATCOM  
P/N 113527-13  
50478 XX-XX  
S/N XXX



### DO NOT SCALE DRAWINGS

UNLESS OTHERWISE SPECIFIED, INTERPRET DIMENSIONING & TOLERANCING PER ANSI/ASME Y14.5M-2009. DIMENSIONS ARE IN INCHES. DIMENSIONS SHOWN IN ( ) ARE FOR REFERENCE ONLY.

**TOLERANCES:**  
 TWO PLACE DECIMAL  $\pm$  .01  
 THREE PLACE DECIMAL  $\pm$  .002  
 FOUR PLACE DECIMAL  $\pm$  .0010  
 ANGLES  $\pm$  0°30'

**SURFACE:**

32/  
OR BETTER

### APPROVALS

DRAWN:	H. Lim	DATE	04-17-14
CHECKED:			
RF DESIGN:	T. Rossi	DATE	04-14-14
MFG:			
QA:			
ENG MGR:			
PROJECT:			

### DATE

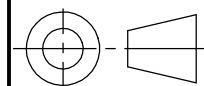
### GENERAL DYNAMICS PROPRIETARY

**GENERAL DYNAMICS**  
 SATCOM Technologies  
 3111 Fujita Street, Torrance CA 90505, (310) 539-6704

TITLE:

## SEPTUM OMT, K-BAND ASSEMBLY

THIRD ANGLE PROJECTION



EAR CONTROLLED

Export or re-export  
subject to 15 CFR  
700 - 799

MATERIAL

ALUMINUM  
ALLOY

SIZE

**B**

CAGE CODE

50478

DWG No

113527-13

REV

**B**

SCALE:

**5:4**

WEIGHT: 0.202 LB

SHEET 1 of 3

NOTES: UNLESS OTHERWISE SPECIFIED.