

SPECIFICATION

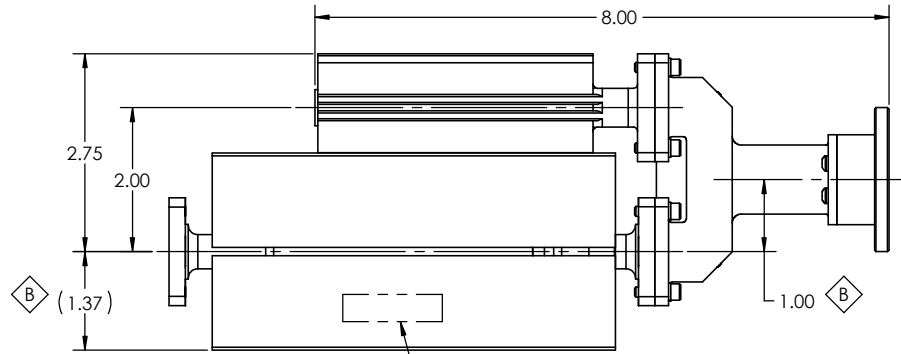
FREQUENCY BAND	Rx: 13.39 - 13.74 GHz Tx: 14.66 - 14.79 GHz
INSERTION LOSS	Rx: 0.50 dB MAX (0.35 dB TYP) Tx: 0.50 dB MAX (0.35 dB TYP)
VSWR	Rx: 1.25:1 MAX Tx: 1.25:1 MAX
ISOLATION	Tx/Rx: 125 dB MIN Rx/Tx: 110 dB MIN
AXIAL RATIO	Rx: 0.40 dB MAX Tx: 0.40 dB MAX
POWER HANDLING	: 1.0 kW CW
HEAT DISSIPATION	: 90 W @ 1.0 kW (APPROX)
TOTAL DISSIPATION AREA	: 558 IN/SQ
MAX OPERATING TEMP	: 115° C

PRESSURIZATION : SEALED TO 5.0 PSIG

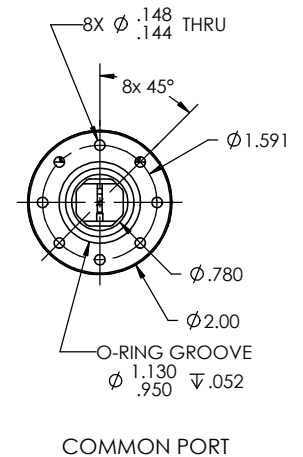
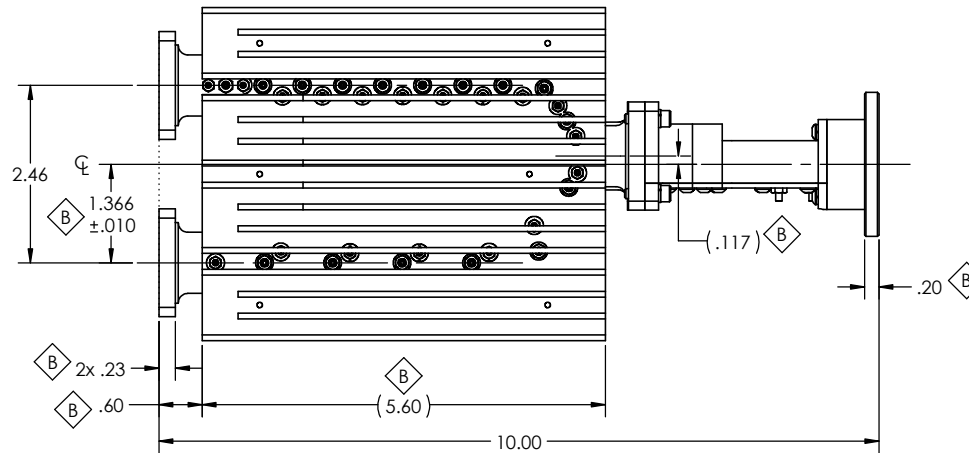
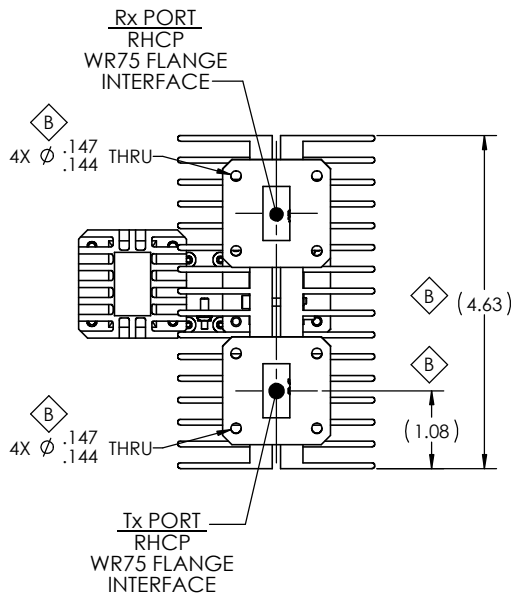
FINISH
COMMON PORT: ZINC NICKEL PLATED IAW
(AMS 2417G, TYPE II, CLASS 2)

Rx & Tx PORT: COPPER ALLOY
EXTERIOR: BLACK PAINT, COLOR: 37038
IAW FED-STD-595

REVISIONS			
REV.	DESCRIPTION	DATE	APPROVED
A	INITIAL RELEASE	09 SEP13	
B	SEE EC № 12891	12/3/2013	



GD SATCOM
50478 XX-XX
P/N 113448-4
S/N XXX



UNLESS OTHERWISE SPECIFIED

INTERPRET DIMENSIONING & TOLERANCING PER ANSI Y14.5M-1992. DIMENSIONS ARE IN INCHES. DIMENSIONS SHOWN IN () ARE FOR REFERENCE ONLY. TOLERANCES ARE:
SURFACE- TOLERANCES-
.XX ±.01
.XXX ±.002
.XXXX ±.0010
ANGLES ±0°30'

MATERIAL:

APPROVALS	DATE
DRAWN: DESIGN	09SEP13
CHECKED:	
ENGR:	
MFG:	
QA:	

EAR CONTROLLED:

Export or re-export subject to 15 CFR 700 - 799

GENERAL DYNAMICS PROPRIETARY

GENERAL DYNAMICS SATCOM Technologies
3111 Fujita Street, Torrance CA 90505, (310) 539-6704

Ku-BAND 2-PORT DIPLEXER CP

SIZE	FSCM No.	DWG No.	REV
C	50478	113448-4	B
SCALE:	3:4	SHEET	1

NOTES: UNLESS OTHERWISE SPECIFIED.