

# SPECIFICATIONS

**FREQUENCY BAND** Rx: 23.00 - 23.55 GHz  
Tx: 25.25 - 27.50 GHz

**INSERTION LOSS** Rx: 0.50 dB MAX  
Tx: 0.20 dB MAX

**VSWR** : 1.30:1 MAX

**ISOLATION** Tx/Rx: 70 dB MIN  
Rx/Tx: 23 dB MIN

**AXIAL RATIO** : 1.90 dB MAX

**POWER HANDLING** : 100 W CW MIN

**PRESSURIZATION** : SEALED TO 5 PSIG

**FINISH**  
FLANGE FACES : ZINC-NICKEL PLATED  
(PER AMS 2417G, TYPE II, CLASS 2)  
EXTERIOR : BLACK PAINT, COLOR N<sub>o</sub> 37038  
PER FED-STD-595

# REVISIONS

ZONE	REV.	DESCRIPTION	DATE	APPROVED
	A	INITIAL RELEASE	5/12/2014	A.J.
⬡	B	SEE EC N <sub>o</sub> 13134	6/25/2014	

D

D

C

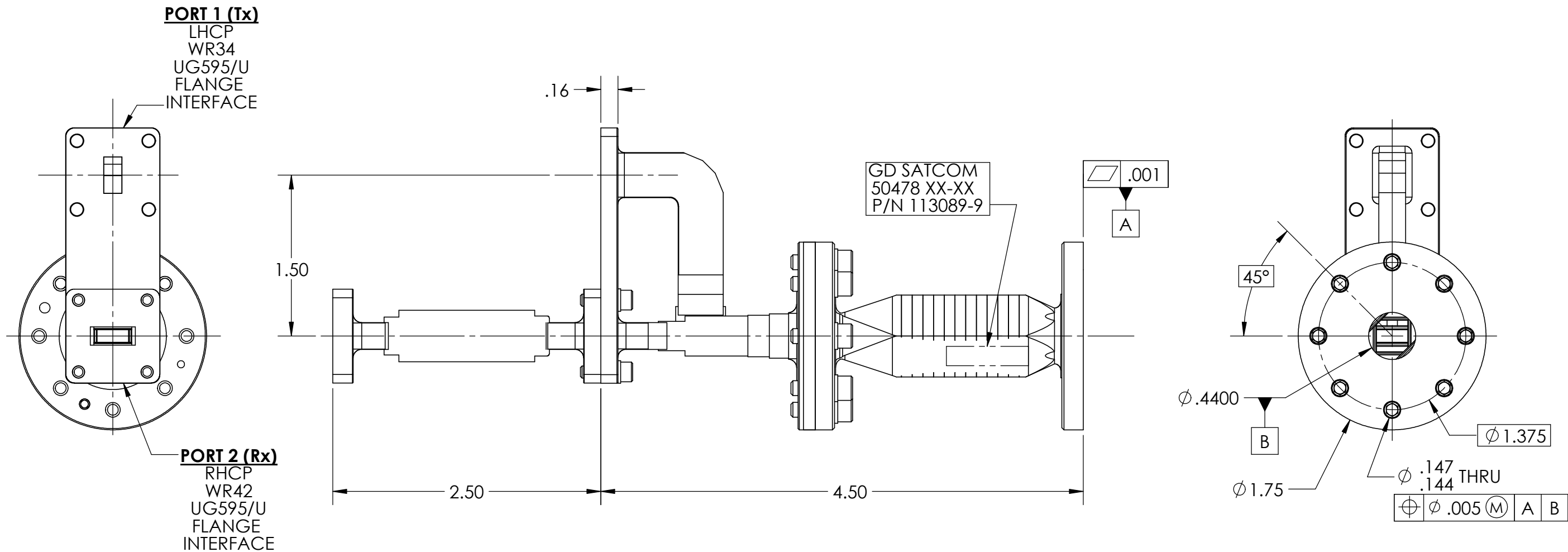
C

B

B

A

A



NOTES: UNLESS OTHERWISE SPECIFIED.

DO NOT SCALE DRAWINGS		APPROVALS	DATE	GENERAL DYNAMICS PROPRIETARY			
<small>UNLESS OTHERWISE SPECIFIED, INTERPRET DIMENSIONING &amp; TOLERANCING PER ANSI/ASME Y14.5M-2009. DIMENSIONS ARE IN INCHES. DIMENSIONS SHOWN IN ( ) ARE FOR REFERENCE ONLY.</small> <b>TOLERANCES:</b> TWO PLACE DECIMAL ± .01 THREE PLACE DECIMAL ± .002 FOUR PLACE DECIMAL ± .0010 ANGLES ± 0°30'		DRAWN: TOVALIN	03-17-14	<b>GENERAL DYNAMICS</b> SATCOM Technologies 3111 Fujita Street, Torrance CA 90505, (310) 539-6704 TITLE: <b>K-BAND 2-PORT DIPLEXER, CIRULAR POLARIZED</b>			
		CHECKED:					
		RF DESIGN:					
		MFG:					
		QA:					
ENG MGR:				SIZE	CAGE CODE	DWG N <sub>o</sub>	REV
PROJECT:				<b>B</b>	<b>50478</b>	<b>113089-9</b>	<b>B</b>
THIRD ANGLE PROJECTION	EAR CONTROLLED	MATERIAL		SCALE:	WEIGHT: LB	SHEET	1 of 2
	Export or re-export subject to 15 CFR 700 - 799	COPPER ALLOY		<b>1:1</b>			

8

7

6

5

4

3

2

1