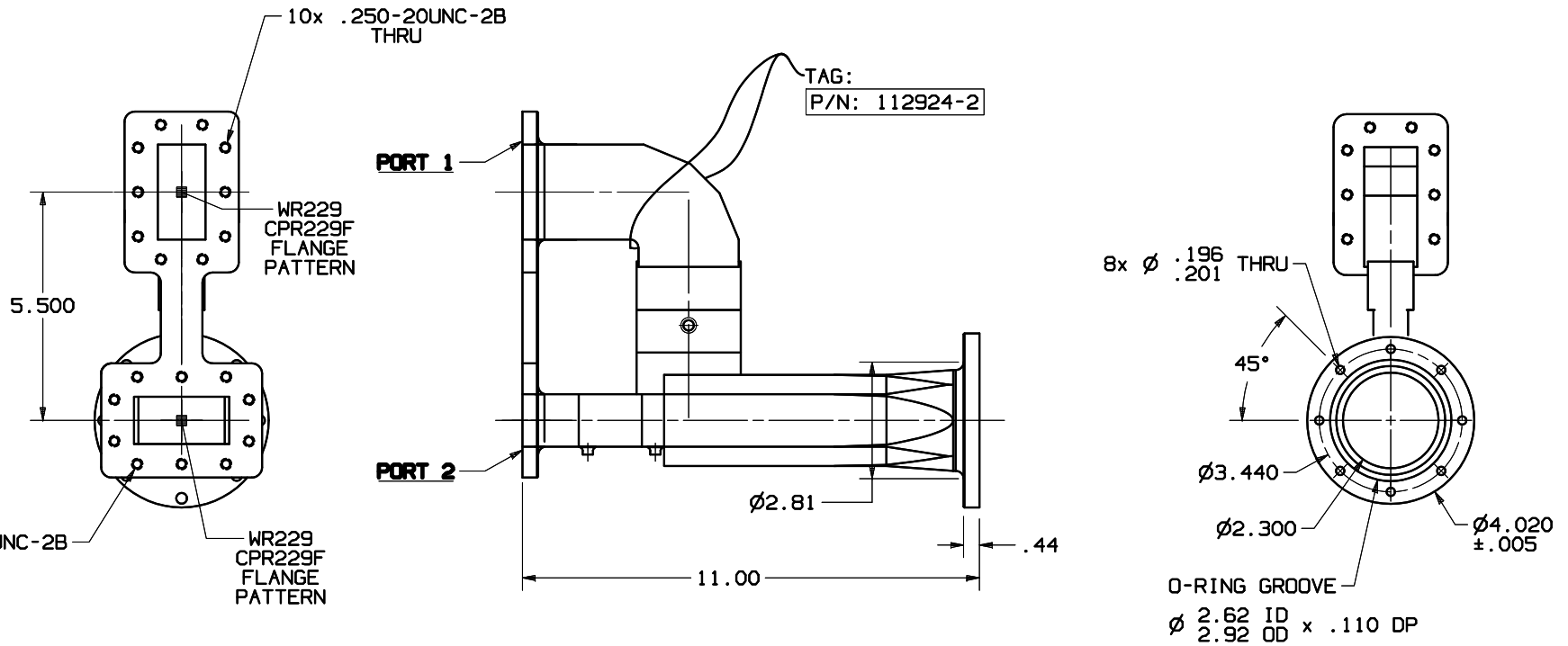


### SPECIFICATIONS

**FREQUENCY BAND:** 3.4 - 4.2 GHz  
**INSERTION LOSS:** 0.1 dB MAX  
**VSWR** : 1.15:1 MAX  
**CROSSPOL** : 40 dB MIN  
**PRESSURIZATION:** SEALED TO 1.0 PSI  
**FINISH**  
 FLANGE FACES: CAD PLATED PER QQ-P-416,  
 TYPE II, CLASS 2

### REVISIONS

REV	DESCRIPTION	DATE	APPROVED
B	SEE DR 11354	02-01-12	



NOTES: UNLESS OTHERWISE SPECIFIED.

UNLESS OTHERWISE SPECIFIED		SIGNATURES	DATE	GENERAL DYNAMICS PROPRIETARY	
DIMENSIONS ARE IN INCHES		DRAWN: C. G. ORTEGA	11-02-05	<b>GENERAL DYNAMICS</b> SATCOM Technologies 3111 Fujita St., Torrance, CA 90505, (310) 539-6704	
TOLERANCES-		CHECKED:			
SURFACE .XX ±.01		ENGRG:			
.XXX ±.002		MFG:			
.XXXX ±.0010				<b>C-BAND Rx/O OMT</b> <b>T-STYLE, 3.4-4.2 GHz</b>	
ANGLES±					
MATERIAL:		EAR CONTROLLED:		SIZE: C 150478      DRAWING NO.: 112924-2      REV: B	
FINISH:		Export or re-export subject to 15 CFR 700-799.		SCALE: 1:2      SHEET 1 of 4	