

SPECIFICATIONS

FREQUENCY BAND Rx: 18.30 - 21.20 GHz
Tx: 28.40 - 31.00 GHz

INSERTION LOSS Rx: 0.25 dB MAX
Tx: 0.20 dB MAX

VSWR Rx: 1.25:1 MAX
Tx: 1.25:1 MAX

ISOLAION Tx/Rx: 85 dB MIN
Rx/Tx: 85 dB MIN
Rx/Rx: 20 dB MIN
Tx/Tx: 20 dB MIN

AXIAL RATIO Rx: 1.00 dB MAX @ 18.30-18.70 GHz
0.75 dB MAX @ 18.70-20.20 GHz
0.50 dB MAX @ 20.20-21.20 GHz
Tx: 0.50 dB MAX

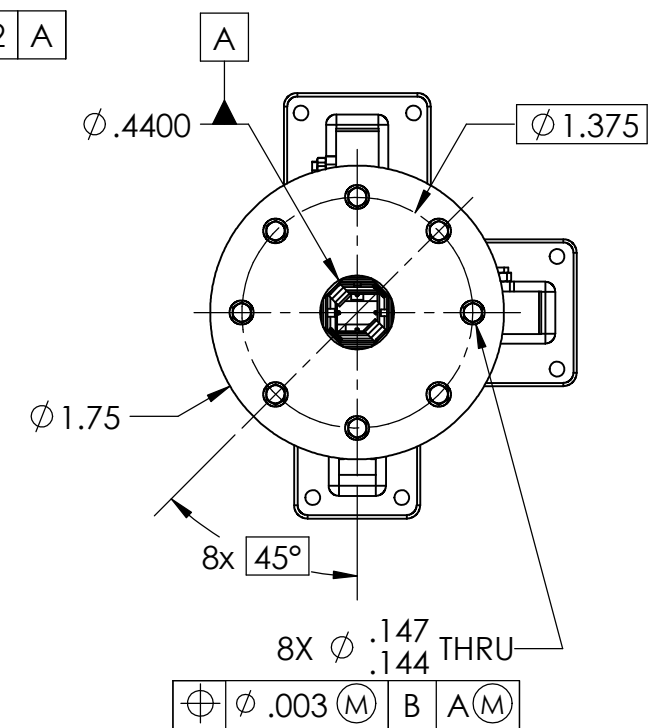
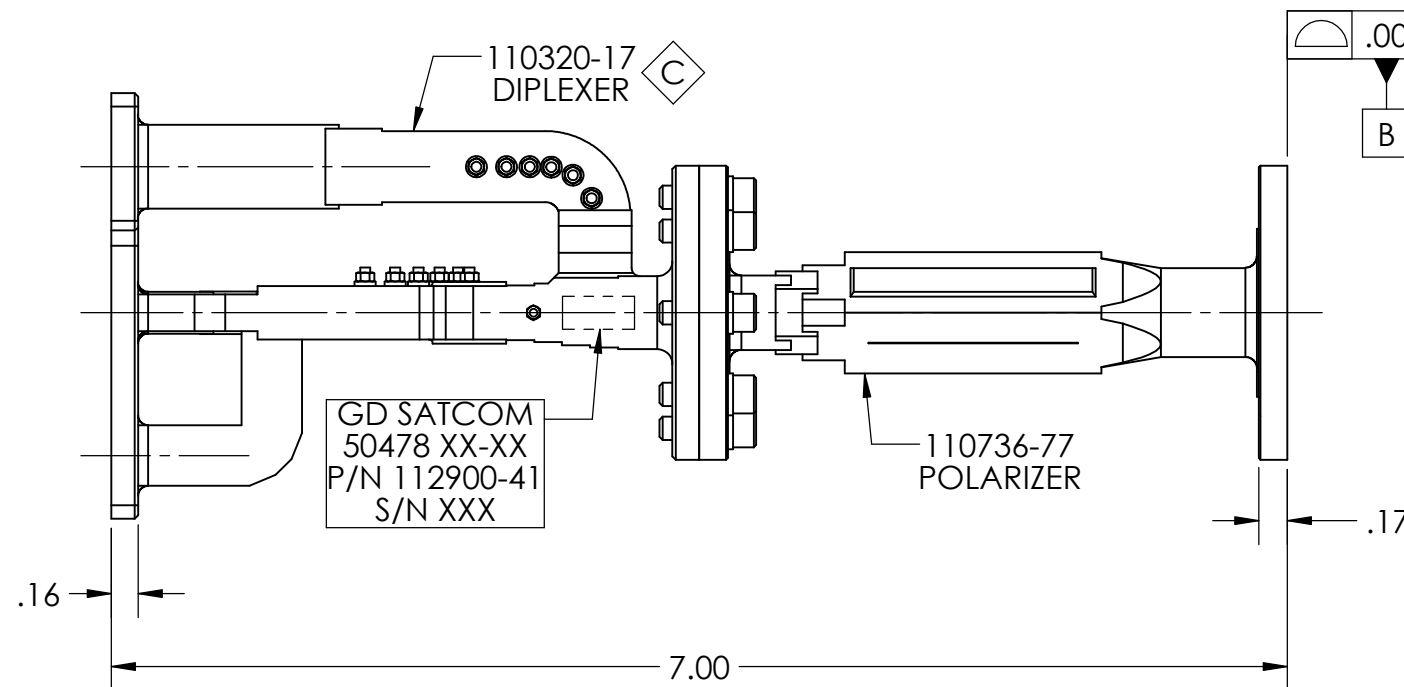
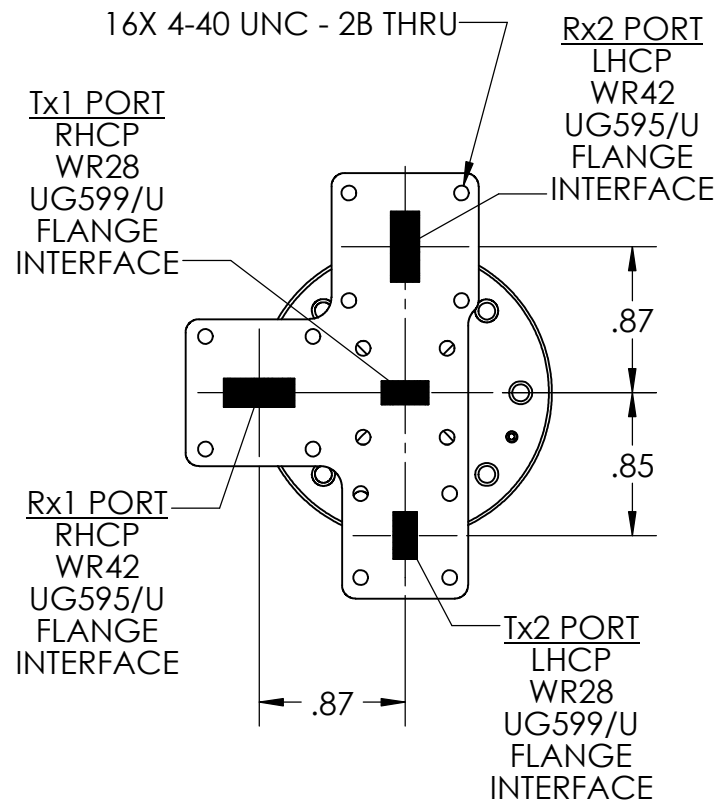
PWR HANDLING : 1.0 kW CW (500 W PER Tx-PORT)

PRESSURIZATION : SEALED TO 5.0 PSIG

FINISH
Rx AND Tx PORT : COPPER ALLOY
COMMON PORT : ZINC-NICKEL PLATED
(PER AMS 2417G, TYPE II, CLASS 2)
EXTERIOR : WHITE PAINT, COLOR N_o 17875
PER FED-STD-595

REVISIONS

ZONE	REV.	DESCRIPTION	DATE	APPROVED
	A	INITIAL RELEASE	02/03/2014	
	B	REVISED PER EC 13037	6/12/2014	
⊠C	C	SEE CN N _o 13216	2014/10/3	N. Huffman
⊠D	D	SEE CN N _o 13322	2015-3-6	J. Mitchell



NOTES: UNLESS OTHERWISE SPECIFIED.

DO NOT SCALE DRAWINGS <small>UNLESS OTHERWISE SPECIFIED, INTERPRET DIMENSIONING & TOLERANCING PER ANSI/ASME Y14.5M-2009. DIMENSIONS ARE IN INCHES. DIMENSIONS SHOWN IN () ARE FOR REFERENCE ONLY.</small> TOLERANCES: TWO PLACE DECIMAL ± .01 THREE PLACE DECIMAL ± .002 FOUR PLACE DECIMAL ± .0010 ANGLES ± 0°30'		APPROVALS DRAWN: H. Lim CHECKED: H. Spieleder RF DESIGN: MFG: QA: ENG MGR: PROJECT:		DATE 11-11-10 11-11-10	GENERAL DYNAMICS PROPRIETARY GENERAL DYNAMICS SATCOM Technologies 3111 Fujita Street, Torrance CA 90505, (310) 539-6704 TITLE: 4-PORT DIPLEXER, K_α-BAND CP		
		THIRD ANGLE PROJECTION 		EAR CONTROLLED Export or re-export subject to 15 CFR 700 - 799			
SIZE B SCALE: 7:8		CAGE CODE 50478 WEIGHT: 0.754 LB		DWG N _o 112900-41 SHEET 1 of 2		REV D	