

SPECIFICATIONS

FREQUENCY BAND Rx: 10.70 - 12.75 GHz
Tx: 13.00 - 14.50 GHz

INSERTION LOSS Rx: 0.80 dB MAX (0.40 dB TYP)
Tx: 0.70 dB MAX (0.40dB TYP)

VSWR Rx: 1.25:1 MAX
Tx: 1.25:1 MAX

ISOLATION Tx/Rx: 120 dB MIN
Rx/Tx: 120 dB MIN

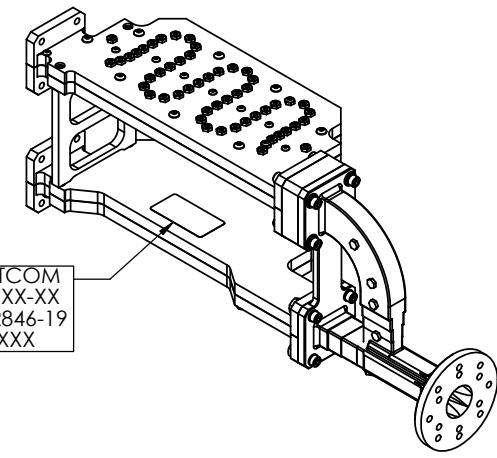
CROSSPOL : 35 dB MIN

POWER HANDLING : 1 KW CW MIN

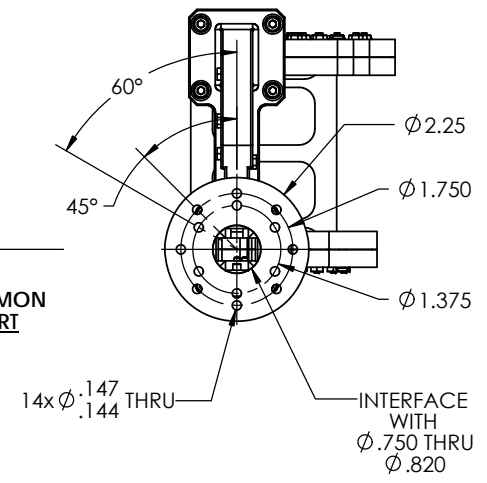
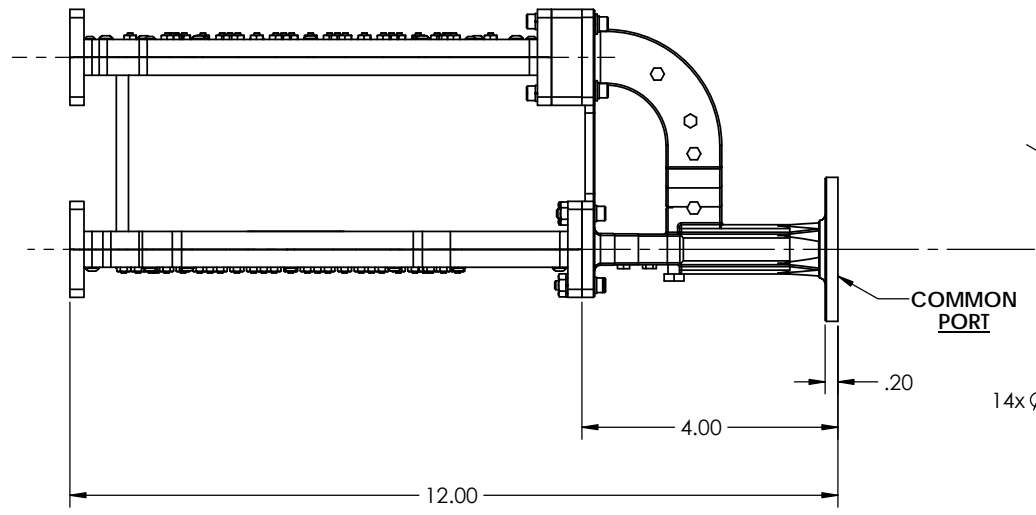
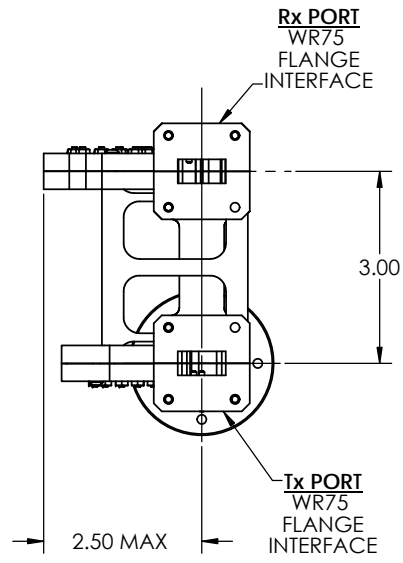
PRESSURIZATION : SEALED TO 5 PSIG

FINISH
Tx & Rx PORTS: Zn-Ni PLATED PER AMS-2417G,
TYPE II, CLASS 2
COMMON PORT: CHROMATE CONVERSION COATED PER
MIL-DTL-5541F, TYPE II, CLASS 1A
EXTERIOR: WHITE PAINT, COLOR No. 17875 PER
FED-STD-595

REVISIONS			
REV.	DESCRIPTION	DATE	APPROVED
A	INITIAL RELEASE		
B	SEE EC 12932	1/8/2014	



GD SATCOM
50478 XX-XX
P/N 112846-19
S/N XXX



NOTES: UNLESS OTHERWISE SPECIFIED.

UNLESS OTHERWISE SPECIFIED		APPROVALS	DATE	GENERAL DYNAMICS PROPRIETARY	
INTERPRET DIMENSIONING & TOLERANCING PER ANSI Y14.5M-2009. DIMENSIONS ARE IN INCHES. DIMENSIONS SHOWN IN () ARE FOR REFERENCE ONLY. TOLERANCES ARE: SURFACE TOLERANCES .XX ±.01 ANGLES ±0°30' .XXX ±.002 .XXXX ±.0010 32/		DRAWN: TOVALIN	10-23-13	GENERAL DYNAMICS SATCOM Technologies 3111 Fujita Street, Torrance CA 90505, (310) 539-6704 Ku-BAND TWO PORT DIPLEXER, LINEAR POLARIZED	
		CHECKED:			
		RF ENG:			
		ENGR:			
		MFG:			
THIRD ANGLE PROJECTION	MATERIAL:	EAR CONTROLLED:		SIZE	FSCM No.
		Export or re-export subject to 15 CFR 700 - 799		C	50478
				DWG No.	112846-19
				SCALE:	1:2
				WEIGHT:	
				SHEET	1 of 2
				REV	B